

**p.u.k.**<sup>®</sup> Italian  
Architectural  
Lighting



**018**

GENERAL CATALOGUE

EXPO 2015  
ANGOLA PAVILLION  
Location: Milano, Italy

PUK products:



**201012**  
HYDROFLOOR MINI  
PERFORMANCE LED




ENTAG  
ULTURA  
CAR PARA  
NOVAR

# General Catalogue 2018

**p.u.k.**<sup>®</sup>

ALL PRODUCTS IN THIS CATALOGUE  
ARE DESIGNED, ENGINEERED AND COMPLETELY **MADE IN ITALY**



A modern urban plaza at dusk. The scene is illuminated by warm, low-angle lights. In the foreground, a paved walkway leads towards a row of palm trees. Each palm tree trunk is wrapped in vibrant, multi-colored tape (red, yellow, green, blue, orange). To the right, a building with a glass facade and a perforated metal screen is visible. The sky is a deep blue. In the lower right foreground, a small, circular, recessed light fixture is visible in the pavement. The overall atmosphere is one of contemporary design and artistic lighting.

...if you only could imagine,  
the right light!



We would like to transmit, through the use of our products, our special policy aimed at integrating the style of our articles with their surroundings. In other words, we want to communicate our personal idea of "Light".

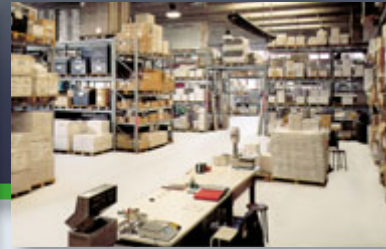
Our products derive from our policy aimed at presenting increasingly competitive and better quality articles.

Our greatest wish is to accomplish this policy.

With the expanding market for themed restaurants, bars, shops and shopping centers, the need to specially cater the setting to create an atmosphere attractive to customers is a must.

Now themed environments of all kinds can finally enjoy all the benefits of an intelligent light...

**p.uk.**<sup>®</sup>  
Italian Architectural Lighting



**2000 MQ SURFACE**

**400 MQ OFFICES**

**97 % IN OVER 90 COUNTRIES EXPORT**



## Experienced products, reliability and know-how

**When you get a Puk original product,  
you don't only buy an object.**

**All articles have been tested by EN 60529 european norm.** More than this, mechanical tests have been carried out by European or Italian Certified Institutes and results are available on request.

**Mechanical test:** 1.000 Kg, 5.000 Kg and 10.000 Kg resistance are carried out by TÜV Certified Institute in Italy.

**Shock resistance tests. IK rating** (CEI EN 50102 norms). Results available on request.

**Water resistance test** (IEC 529 norm) **IP protective** degree rating. Results available on request.

**Salt spray (saline fog) Testing and Corrosion Test** are regularly carried on most of the products UNI ISO 9227. Results available on request.

**Routine Tests** are carried on in partnership with sub-contractors or inside Puk manufacturing area.

**Eulumdat Photometrics** on all products are available on request.

**5 years LONG LIFE warranty is valid for all articles.**

**After-sale assistance** by our Export Dpt.



# Legend



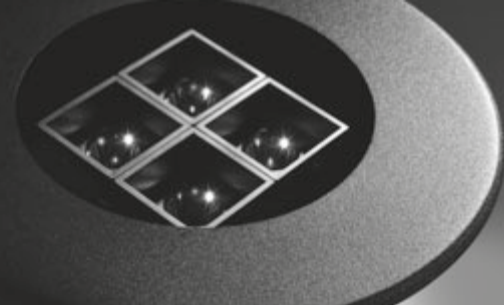
## FLOODLIGHTS

	101100 HYDROFLASH	page. <b>12</b>
	109000 HYDROBOOK	page. <b>22</b>
	101000 HYDROCASE	page. <b>27</b>
	101300 HYDROTWIST	page. <b>36</b>
	101200 HYDROCITY WALL	page. <b>44</b>
	103000 HYDROSTAR	page. <b>47</b>
	104000 HYDRODAN	page. <b>52</b>
	105000 HYDROSCAPE	page. <b>54</b>
	106000 HYDROSKY	page. <b>56</b>
	107000 HYDROJET	page. <b>60</b>
	108000 HYDROLASER	page. <b>64</b>



## IN-GROUND

	201000 HYDROFLOOR	page. <b>72</b>
	205000 HYDROFLOOR INVISA	page. <b>104</b>
	202000 HYDROQUADRO	page. <b>110</b>
	205000 HYDROFLOOR VETRO	page. <b>115</b>
	203000 HYDROLINE	page. <b>118</b>
	204000 HYDROLINE VETRO	page. <b>126</b>



## UNDERWATER

	301000 HYDROSCUBA	page. <b>134</b>
	303000 HYDROPOOL	page. <b>140</b>
	305000 HYDRODIVE	page. <b>144</b>






## WALL-MOUNTING

	401100 HYDROWAVE	page. <b>150</b>
	401000 HYDROTECH	page. <b>152</b>
	401900 HYDROTECH STEEL	page. <b>152</b>
	401700 HYDROECLIPSE	page. <b>171</b>
	401600 HYDROSURF	page. <b>186</b>
	402100 HYDROCOVE	page. <b>196</b>
	401800 HYDROFLEX	page. <b>198</b>
	402000 HYDROBRACKET	page. <b>206</b>
	403000 HYDROLINE-B	page. <b>214</b>
	402400 HYDROHORIZON	page. <b>222</b>
	402200 HYDROCUBE	page. <b>228</b>
	404000 HYDROSPLIT	page. <b>230</b>
	405000 HYDROLED	page. <b>232</b>
	402300 HYDROPLAFO	page. <b>238</b>








**WALL-MOUNTING**

	401400 HYDROMASK	page. <b>241</b>
	406000 HYDROTARGET	page. <b>242</b>
	401300 HYDRODISK	page. <b>245</b>














**WALL-RECESSED**

	503000 HYDROLINE STEP	page. <b>250</b>
	501000 HYDROBLADE	page. <b>252</b>
	502000 HYDROSTEP	page. <b>253</b>









**BOLLARDS**

	609001 HYDROBOULEVARD	page. <b>264</b>
	608001 HYDROSURF BOLLARD	page. <b>273</b>
	601000 HYDROPHARO	page. <b>275</b>
	603000 HYDROWAY	page. <b>277</b>
	601400 HYDROWAY STEEL	page. <b>284</b>
	601300 HYDROBULLET	page. <b>287</b>
	604000 HYDROLANE	page. <b>288</b>
	605000 HYDROSIDE	page. <b>290</b>
	606000 HYDROPLATE	page. <b>291</b>
	601200 HYDROSTICK	page. <b>292</b>
	601100 HYDROSWING	page. <b>293</b>








**DOWNLIGHTS**

	701000 HYDROCEILING	page. <b>296</b>
	706000 HYDROTECH	page. <b>298</b>
	707000 HYDROTECH STEEL	page. <b>306</b>
	702000 HYDROSPOT	page. <b>307</b>
	704000 ID SERIES	page. <b>309</b>
	705000 OYSTER	page. <b>310</b>



**URBAN LIGHTS**












	802000 HYDROCITY	page. <b>314</b>
	803000 HYDROBOOK POLE-TOP	page. <b>328</b>
	804000 HYDROTECH POLE-TOP	page. <b>336</b>
	805000 HYDROFLASH POLE-TOP	page. <b>348</b>
	809900 POLES & ACCESSORIES	page. <b>364</b>







# Floodlights

	101100 HYDROFLASH	page. <b>12</b>
	109000 HYDROBOOK	page. <b>22</b>
	101000 HYDROCASE	page. <b>27</b>
	101300 HYDROTWIST	page. <b>36</b>
	101200 HYDROCITY WALL	page. <b>44</b>
	103000 HYDROSTAR	page. <b>47</b>
	104000 HYDRODAN	page. <b>52</b>
	105000 HYDROSCAPE	page. <b>54</b>
	106000 HYDROSKY	page. <b>56</b>
	107000 HYDROJET	page. <b>60</b>
	108000 HYDROLASER	page. <b>64</b>

**101101 HYDROFLASH MEDIUM LED**

Round floodlight for outdoor installation on a façade/wall. Phospho-chromatised and polyester powder coated die-cast copper-free aluminium body, tempered safety glass, moulded silicone gasket and stainless steel screws. Built-in LED driver 220-240V 50-60Hz, with 5 CREE XP-G3 high-power LED. IP65 rating.

**Energy Label** A++

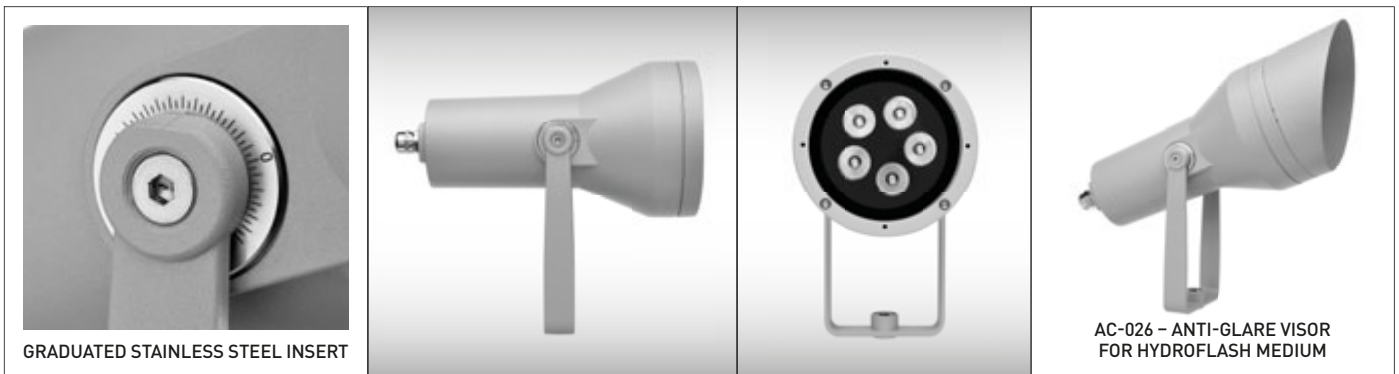
- Material: high corrosion resistance die-cast copper-free aluminum body
- Coating: polyester powder coating with phosphochromating pre-finish
- NR. 5 CREE "XP-G3" LED
- Electronic transformer 220/240V 50/60Hz included
- Stainless steel screws
- Silicone rubber gasket
- Tempered safety glass.
- Double nickel-plated brass cable gland PG11
- 1 mt. neoprene power cable included



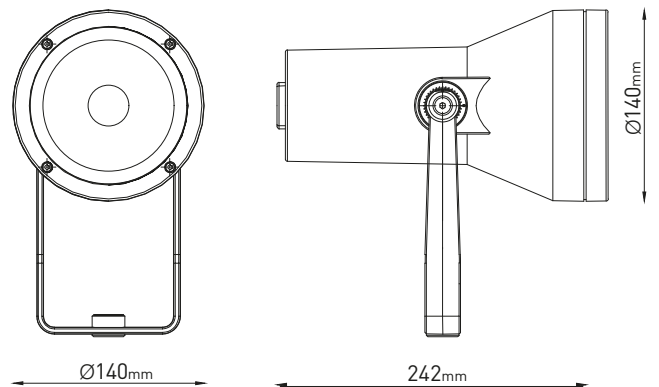
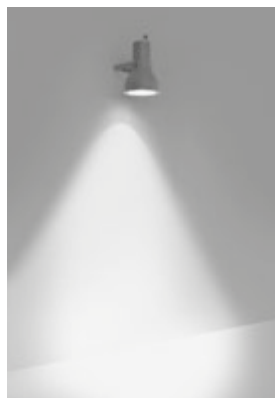
1-10 V DIMMABLE / DALI VERSION  
AVAILABLE ON REQUEST



AVAILABLE ON REQUEST



AC-026 - ANTI-GLARE VISOR FOR HYDROFLASH MEDIUM



8 WATT  
220-240V 50-60HZ ELECTRONIC  
IP65 - CE ▽ ⊕  
2,60 KG UNIT GROSS WEIGHT

LIGHT SOURCE	LED COLOR*	LIGHT BEAM OPTIONS	LUMEN OUTPUT (lm)	LUMINOUS EFFICACY (lm/w)	COLORS OPTIONS
HIGH-POWER LED	3.000°K WARM-WHITE	M 10°	720	90.00	<input type="checkbox"/> TEXTURED GREY <input type="checkbox"/> MATT WHITE (ON REQUEST) <input type="checkbox"/> MATT BLACK (ON REQUEST)
		M 30°	684	85.50	
		M 45°	650	81.25	
	4.000°K NEUTRAL-WHITE	M 10°	750	93.75	
		M 30°	713	89.13	
		M 45°	677	84.63	

\* OTHER LIGHT COLORS AVAILABLE ON REQUEST: ● BLUE



**101102 HYDROFLASH MEDIUM COB LED**

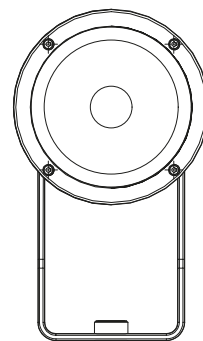
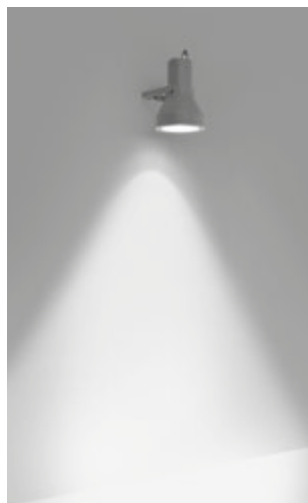
Round floodlight for outdoor installation on a façade/wall. Phospho-chromatised and polyester powder coated die-cast copper-free aluminium body, tempered safety glass, moulded silicone gasket and stainless steel screws. Built-in LED driver 220-240V 50-60Hz, with 1 CREE CXA 1512 COB LED. IP65 rating.

**Energy Label** A++

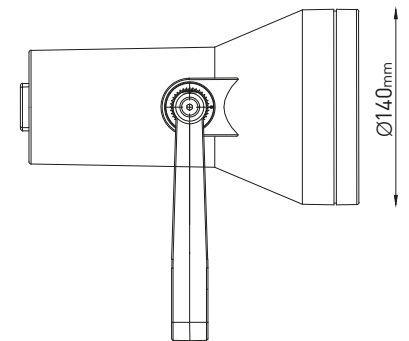
- Material: high corrosion resistance die-cast copper-free aluminum body
- Coating: polyester powder coating with phosphochromating pre-finish
- NR. 1 CREE CXA 1512 LED
- Electronic transformer 220/240V 50/60Hz included
- Stainless steel screws
- Silicone rubber gasket
- Tempered safety glass.
- Double nickel-plated brass cable gland PG11
- 1 mt. neoprene power cable included



1-10 V DIMMABLE / DALI VERSION  
AVAILABLE ON REQUEST



Ø140mm



242mm

Ø140mm

	LIGHT SOURCE	LED COLOR*	LIGHT BEAM OPTIONS	LUMEN OUTPUT (lm)	LUMINOUS EFFICACY (lm/w)	COLORS OPTIONS
18 WATT 220-240V 50-60HZ ELECTRONIC IP65 2,60 KG UNIT GROSS WEIGHT	COB LED	3.000°K WARM-WHITE	M 35°	1.530	85.00	<div style="display: flex; flex-direction: column; gap: 5px;"> <div><span style="display: inline-block; width: 15px; height: 15px; background-color: grey; border: 1px solid black;"></span> TEXTURED GREY</div> <div><span style="display: inline-block; width: 15px; height: 15px; background-color: white; border: 1px solid black;"></span> MATT WHITE (ON REQUEST)</div> <div><span style="display: inline-block; width: 15px; height: 15px; background-color: black; border: 1px solid black;"></span> MATT BLACK (ON REQUEST)</div> </div>



**101103 HYDROFLASH MAXI LED**

Round floodlight for outdoor installation on a façade/wall. Phospho-chromatised and polyester powder coated die-cast copper-free aluminium body, tempered safety glass, moulded silicone gasket and stainless steel screws. Built-in LED driver 220-240V 50-60Hz, with 8 CREE XP-G3 high-power LED. IP65 rating.

**Energy Label** A++

- Material: high corrosion resistance die-cast copper-free aluminum body
- Coating: polyester powder coating with phosphochromating pre-finish
- NR. 8 CREE "XP-G3" LED
- Electronic transformer 220/240V 50/60Hz included
- Stainless steel screws
- Silicone rubber gasket
- Tempered safety glass.
- Double nickel-plated brass cable gland PG11
- 1 mt. neoprene power cable included



**1-10 V** **DALI**

1-10 V DIMMABLE / DALI VERSION  
AVAILABLE ON REQUEST

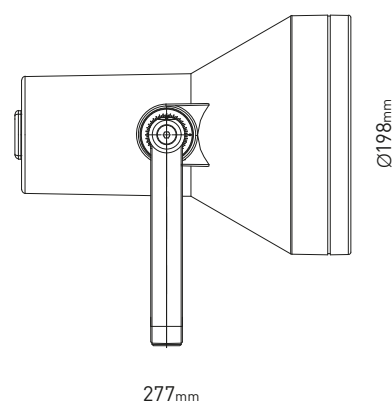
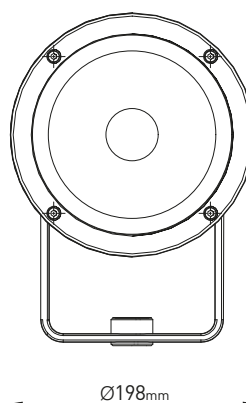
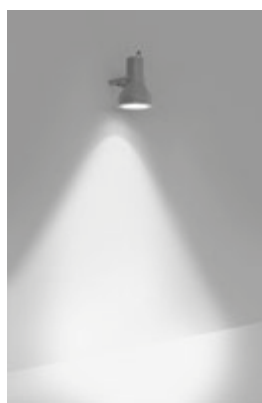
**FullRGB**

AVAILABLE ON REQUEST



GRADUATED STAINLESS STEEL INSERT

AC-027 - ANTI-GLARE VISOR FOR HYDROFLASH MEDIUM



12 WATT  
220-240V 50-60HZ ELECTRONIC  
IP65  
3,50 KG UNIT GROSS WEIGHT

LIGHT SOURCE	LED COLOR*	LIGHT BEAM OPTIONS	LUMEN OUTPUT (lm)	LUMINOUS EFFICACY (lm/w)	COLORS OPTIONS
HIGH-POWER LED	3.000°K WARM-WHITE	M 10°	1.152	96.00	<input type="checkbox"/> TEXTURED GREY <input type="checkbox"/> MATT WHITE (ON REQUEST) <input type="checkbox"/> MATT BLACK (ON REQUEST)
		M 30°	1.095	91.25	
		M 45°	1.040	86.67	
	4.000°K NEUTRAL-WHITE	M 10°	1.200	100.00	
		M 30°	1.140	95.00	
		M 45°	1.083	90.25	

\* OTHER LIGHT COLORS AVAILABLE ON REQUEST: ● BLUE





**101104 HYDROFLASH MAXI COB LED**

Round floodlight for outdoor installation on a façade/wall. Phospho-chromatised and polyester powder coated die-cast copper-free aluminium body, tempered safety glass, moulded silicone gasket and stainless steel screws. Built-in LED driver 220-240V 50-60Hz, with 1 CREE CXB 2530 COB LED. IP65 rating.

**Energy Label** A++

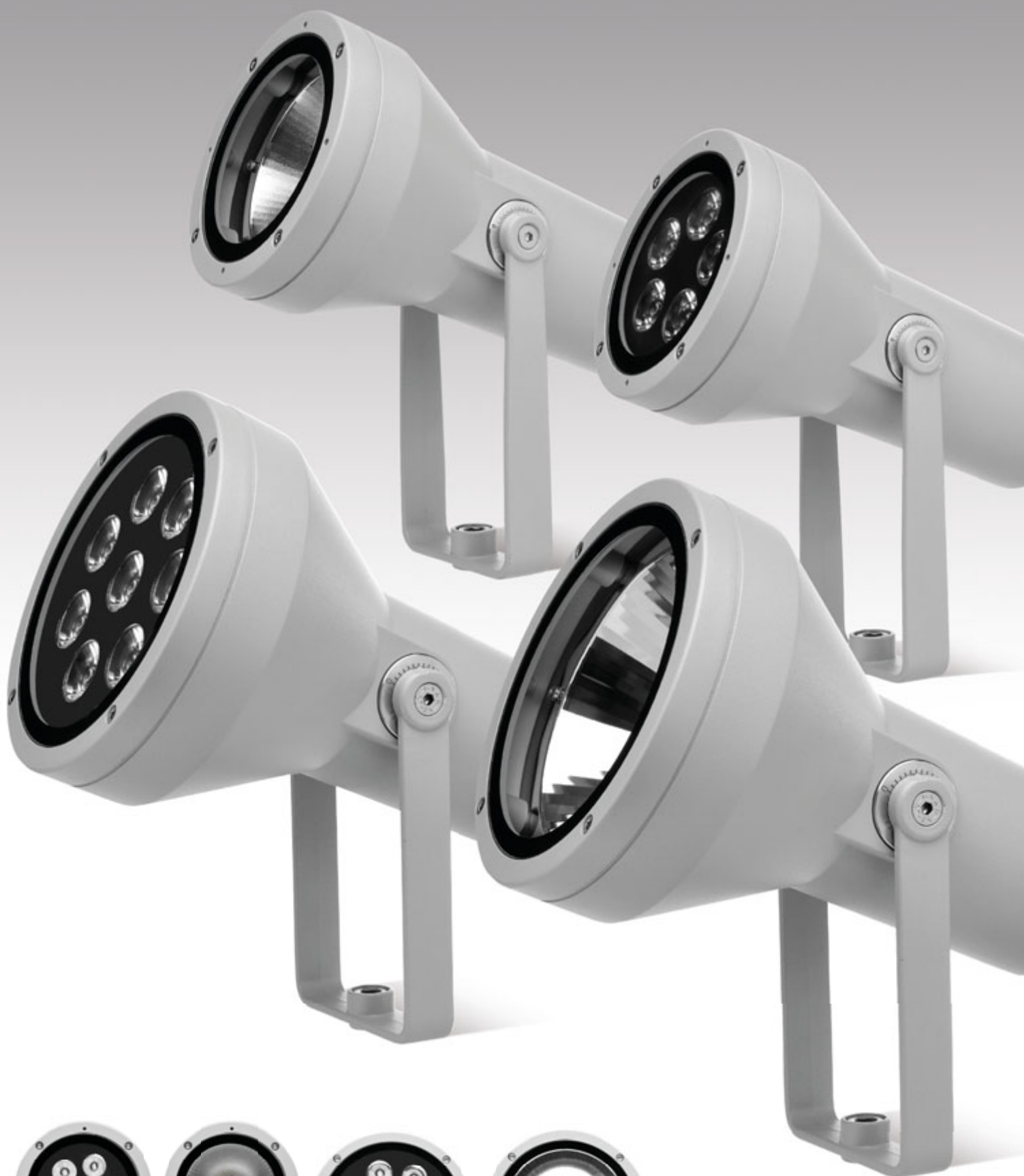
- Material: high corrosion resistance die-cast copper-free aluminum body
- Coating: polyester powder coating with phosphochromating pre-finish
- NR. 1 CREE CXB 2530 LED
- Electronic transformer 220/240V 50/60Hz included
- Stainless steel screws
- Silicone rubber gasket
- Tempered safety glass.
- Double nickel-plated brass cable gland PG11
- 1 mt. neoprene power cable included



1-10 V DIMMABLE / DALI VERSION  
AVAILABLE ON REQUEST



	LIGHT SOURCE	LED COLOR*	LIGHT BEAM OPTIONS	LUMEN OUTPUT (lm)	LUMINOUS EFFICACY (lm/w)	COLORS OPTIONS
36 WATT 220-240V 50-60HZ ELECTRONIC IP65 3,50 KG UNIT GROSS WEIGHT	COB LED	3.000°K WARM-WHITE	M 35°	3.100	86.10	<div style="display: flex; flex-direction: column; gap: 5px;"> <div><span style="display: inline-block; width: 15px; height: 15px; background-color: grey; border: 1px solid black;"></span> TEXTURED GREY</div> <div><span style="display: inline-block; width: 15px; height: 15px; background-color: white; border: 1px solid black;"></span> MATT WHITE (ON REQUEST)</div> <div><span style="display: inline-block; width: 15px; height: 15px; background-color: black; border: 1px solid black;"></span> MATT BLACK (ON REQUEST)</div> </div>

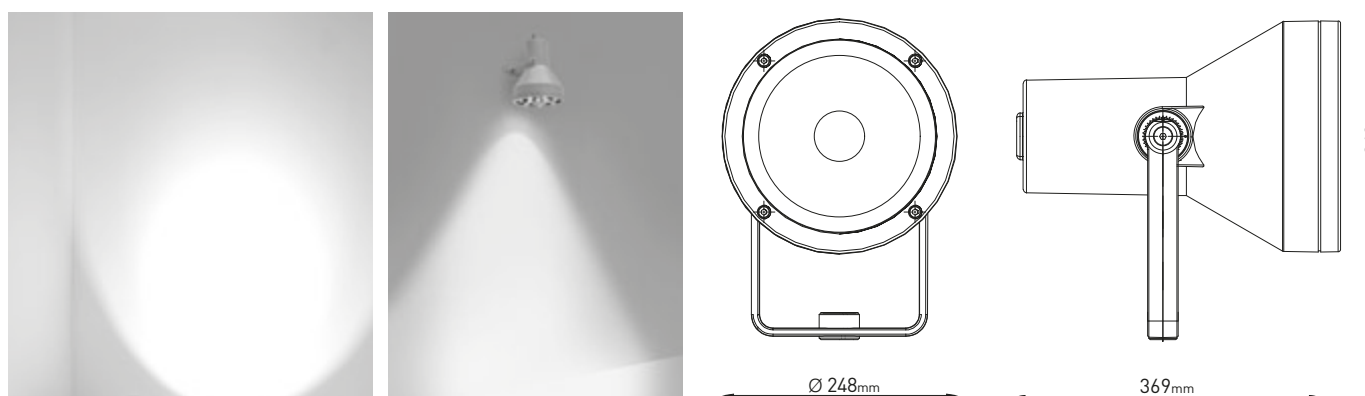


**101105 HYDROFLASH MEGA LED**

Round floodlight for outdoor installation on a façade/wall. Phospho-chromatised and polyester powder coated die-cast copper-free aluminium body, tempered safety glass, moulded silicone gasket and stainless steel screws. Built-in LED driver 220-240V 50-60Hz, with 15 CREE XP-G2 high-power LED. IP65 rating.

**Energy Label** A++

- Material: high corrosion resistance die-cast copper-free aluminum body
- Coating: polyester powder coating with phosphocromating pre-finish
- NR. 15 CREE "XP-G2" LED
- Electronic transformer 220/240V 50/60Hz included
- Stainless steel screws
- Silicone rubber gasket
- Tempered safety glass.
- Double nickel-plated brass cable gland PG11
- 1 mt. neoprene power cable included



LIGHT SOURCE	LED COLOR*	LIGHT BEAM OPTIONS	LUMEN OUTPUT (lm)	LUMINOUS EFFICACY (lm/w)	COLORS OPTIONS
<b>HIGH-POWER LED</b>  22 WATT 220-240V 50-60HZ ELECTRONIC IP65 5,00 KG UNIT GROSS WEIGHT	 3.000°K WARM-WHITE	<b>M</b> 10°	2.160	98.18	■ TEXTURED GREY  □ MATT WHITE (ON REQUEST)  ■ MATT BLACK (ON REQUEST)
		<b>M</b> 30°	2.052	93.27	
		<b>M</b> 45°	1.949	88.60	
	 4.000°K NEUTRAL-WHITE	<b>M</b> 10°	2.250	102.28	
		<b>M</b> 30°	2.137	97.14	
		<b>M</b> 45°	2.030	92.27	

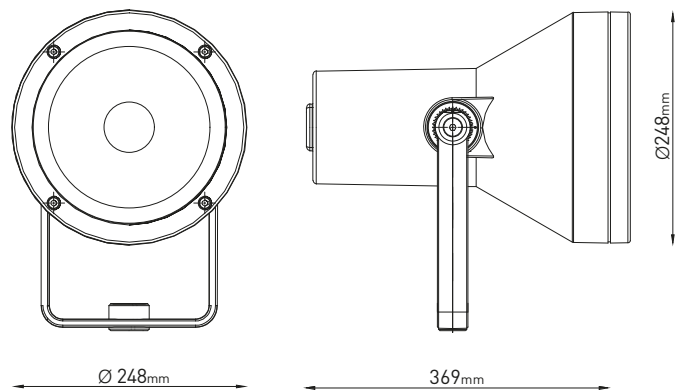
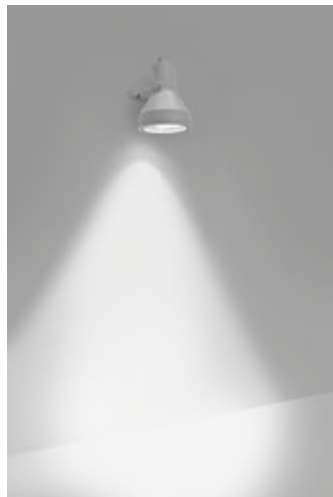
**101106 HYDROFLASH MEGA COB LED**



Round floodlight for outdoor installation on a façade/wall. Phospho-chromatised and polyester powder coated die-cast copper-free aluminium body, tempered safety glass, moulded silicone gasket and stainless steel screws. Built-in LED driver 220-240V 50-60Hz, with 1 CREE CXB 3070 COB LED. IP65 rating.

**Energy Label** A++

- Material: high corrosion resistance die-cast copper-free aluminum body
- Coating: polyester powder coating with phosphochromating pre-finish
- NR. 1 CREE CXB 3070 COB LED
- Electronic transformer 220/240V 50/60Hz included
- Stainless steel screws
- Silicone rubber gasket
- Tempered safety glass.
- Double nickel-plated brass cable gland PG11
- 1 mt. neoprene power cable included



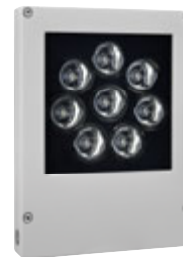
	LIGHT SOURCE	LED COLOR*	LIGHT BEAM OPTIONS	LUMEN OUTPUT (lm)	LUMINOUS EFFICACY (lm/w)	COLORS OPTIONS
55 WATT 220-240V 50-60HZ ELECTRONIC IP65 5,00 KG UNIT GROSS WEIGHT	COB LED	3.000°K WARM-WHITE	M 35°	4.730	86.00	<div style="display: flex; flex-direction: column; gap: 5px;"> <div><span style="display: inline-block; width: 15px; height: 15px; background-color: grey; border: 1px solid black;"></span> TEXTURED GREY</div> <div><span style="display: inline-block; width: 15px; height: 15px; background-color: white; border: 1px solid black;"></span> MATT WHITE (ON REQUEST)</div> <div><span style="display: inline-block; width: 15px; height: 15px; background-color: black; border: 1px solid black;"></span> MATT BLACK (ON REQUEST)</div> </div>

**109001 HYDROBOOK MEDIUM LED** 

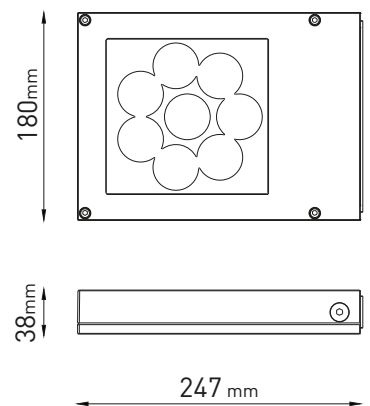
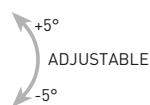
Square floodlight for outdoor installation on a façade/wall. Phospho-chromatised and polyester powder coated die-cast copper-free aluminium body, tempered safety glass, moulded silicone gasket and stainless steel screws. Built-in LED driver 220-240V 50-60Hz, with 8 CREE XP-G3 LED. IP65 rating.

**Energy Label** 






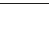
- Material: high corrosion resistance die-cast copper-free aluminum body
- Coating: polyester powder coating with phosphochromating pre-finish
- NR. 8 CREE "XP-G3" LED
- Electronic transformer 220/240V 50/60Hz included
- Stainless steel screws
- Silicone rubber gasket
- Tempered safety glass.
- Double nickel-plated brass cable gland PG9
- 1 mt. neoprene power cable included



SHORT FIXING BRACKET



12 WATT  
220-240V 50-60HZ ELECTRONIC  
IP65  
2,50 KG UNIT GROSS WEIGHT

LIGHT SOURCE	LED COLOR*	LIGHT BEAM OPTIONS	LUMEN OUTPUT (lm)	LUMINOUS EFFICACY (lm/w)	COLORS OPTIONS
HIGH-POWER LED	3.000°K WARM-WHITE	 10°	1.152	96.00	<input type="checkbox"/> TEXTURED GREY  <input type="checkbox"/> MATT WHITE (ON REQUEST)  <input type="checkbox"/> MATT BLACK (ON REQUEST)
		 30°	1.095	91.25	
		 45°	1.040	86.67	
	4.000°K NEUTRAL-WHITE	 10°	1.200	100.00	
		 30°	1.140	95.00	
		 45°	1.083	90.25	

\* OTHER LIGHT COLORS AVAILABLE ON REQUEST:  BLUE







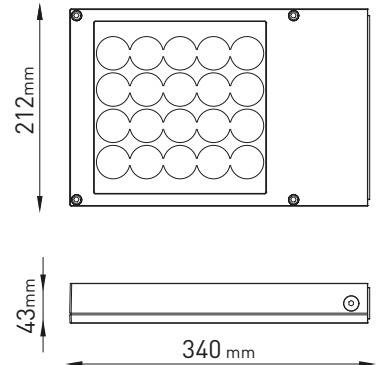
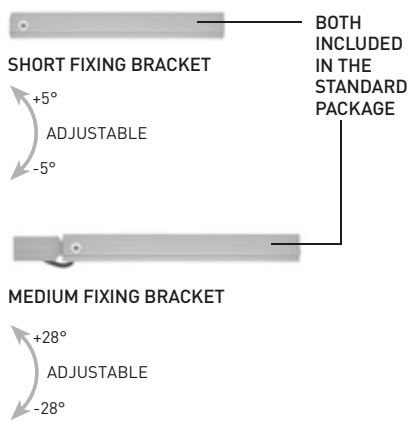
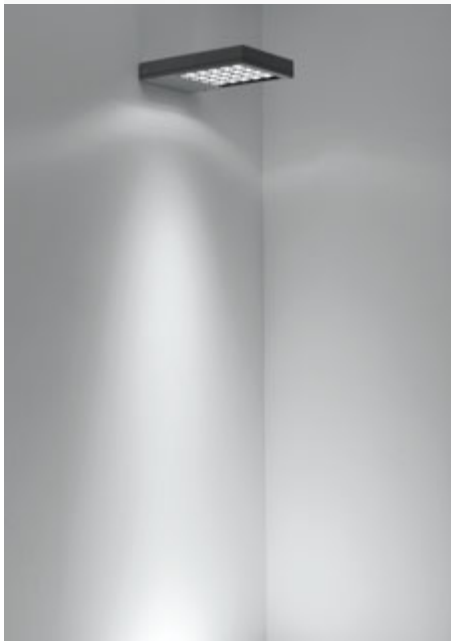


**109002 HYDROBOOK MAXI LED**

Square floodlight for outdoor installation on a façade/wall. Phospho-chromatised and polyester powder coated die-cast copper-free aluminium body, tempered safety glass, moulded silicone gasket and stainless steel screws. Built-in LED driver 220-240V 50-60Hz, with 20 CREE XP-G3 LED. IP65 rating.

**Energy Label** A++

- Material: high corrosion resistance die-cast copper-free aluminum body
- Coating: polyester powder coating with phosphochromating pre-finish
- NR. 20 CREE "XP-G3" LED
- Electronic transformer 220/240V 50/60Hz included
- Stainless steel screws
- Silicone rubber gasket
- Tempered safety glass.
- Double nickel-plated brass cable gland PG9
- 1 mt. neoprene power cable included



30 WATT  
220-240V 50-60HZ ELECTRONIC  
IP65  
2,80 KG UNIT GROSS WEIGHT

LIGHT SOURCE	LED COLOR*	LIGHT BEAM OPTIONS	LUMEN OUTPUT (lm)	LUMINOUS EFFICACY (lm/w)	COLORS OPTIONS
HIGH-POWER LED	3.000°K WARM-WHITE	M 10°	2.880	96.00	<input type="checkbox"/> TEXTURED GREY <input type="checkbox"/> MATT WHITE (ON REQUEST) <input type="checkbox"/> MATT BLACK (ON REQUEST)
		M 30°	2.736	91.20	
		M 45°	2.600	86.67	
	4.000°K NEUTRAL-WHITE	M 10°	3.000	100.00	
		M 30°	2.850	95.00	
		M 45°	2.708	90.26	

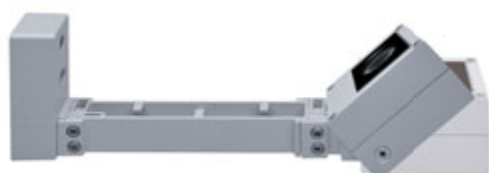
\* OTHER LIGHT COLORS AVAILABLE ON REQUEST: ● BLUE -

**101001 HYDROCASE MICRO LED**

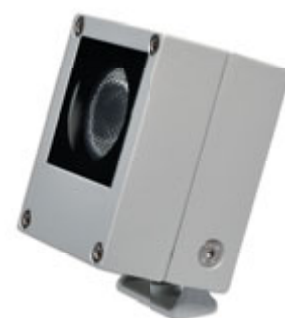
Square small floodlight for outdoor installation on a façade/wall. Phosphochromatised and polyester powder coated die-cast copper-free aluminium body, tempered safety glass, moulded silicone gasket and stainless steel screws. built-in LED driver 220-240V 50-60Hz, with 1 CREE XP-G3 LED. IP65 rating.

**Energy Label** A++

- Material: high corrosion resistance die-cast copper-free aluminum body
- Coating: polyester powder coating with phosphochromating pre-finish
- NR. 1 x 1W CREE "XP-G3" LED
- Electronic transformer 220/240V 50/60Hz included
- Stainless steel screws
- Silicone rubber gasket
- Tempered safety glass.
- Nickel-plated brass cable gland PG9
- 1 mt. neoprene power cable included

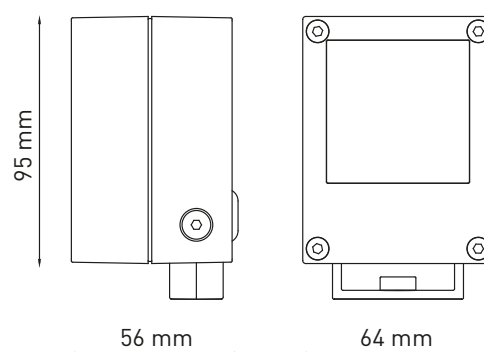


101002 - WITH EXTENDED FIXING BRACKET OPTION



AC001 - HEARTH SPIKE

1 WATT  
220-240V 50-60HZ ELECTRONIC  
IP65  
0.55 KG UNIT GROSS WEIGHT



LIGHT SOURCE	LED COLOR*	LIGHT BEAM OPTIONS	LUMEN OUTPUT (lm)	LUMINOUS EFFICACY (lm/w)	COLORS OPTIONS
HIGH-POWER LED	3.000°K WARM-WHITE	M 10°	115	115.00	<input checked="" type="checkbox"/> TEXTURED GREY <input type="checkbox"/> MATT WHITE (ON REQUEST) <input checked="" type="checkbox"/> MATT BLACK (ON REQUEST)
		M 30°	110	110.00	
		M 45°	104	104.00	
	4.000°K NEUTRAL-WHITE	M 10°	120	120.00	
		M 30°	114	114.00	
		M 45°	109	109.00	

\* OTHER LIGHT COLORS AVAILABLE ON REQUEST: ○ 4.000°K NEUTRAL-WHITE, ● BLUE

**101003 HYDROCASE MINI LED**

Square small floodlight for outdoor installation on a façade/wall. Phospho-chromatised and polyester powder coated die-cast copper-free aluminium body, tempered safety glass, moulded silicone gasket and stainless steel screws. built-in LED driver 220-240V 50-60Hz, with 3 CREE XP-G3 LED. IP65 rating.

**Energy Label** A++

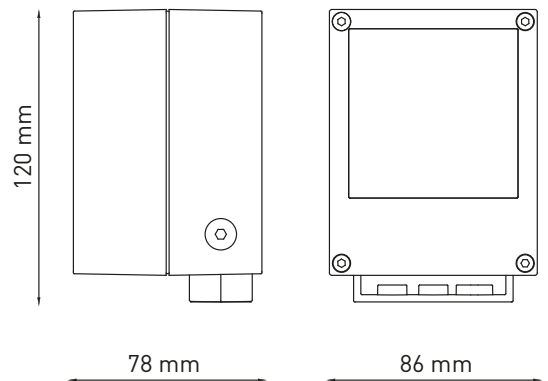
- Material: high corrosion resistance die-cast copper-free aluminum body
- Coating: polyester powder coating with phosphochromating pre-finish
- NR. 3 x 1W CREE "XP-G3" LED
- Electronic transformer 220/240V 50/60Hz included
- Stainless steel screws
- Silicone rubber gasket
- Tempered safety glass.
- Nickel-plated brass cable gland PG9
- 1 mt. neoprene power cable included



101004 - WITH EXTENDED FIXING BRACKET OPTION



AC001 - HEARTH SPIKE



3 WATT  
220-240V 50-60HZ ELECTRONIC  
IP65  
0.80 KG UNIT GROSS WEIGHT

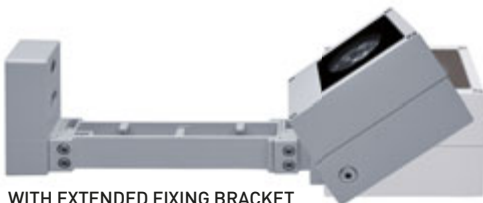
LIGHT SOURCE	LED COLOR*	LIGHT BEAM OPTIONS	LUMEN OUTPUT (lm)	LUMINOUS EFFICACY (lm/w)	COLORS OPTIONS
HIGH-POWER LED	3.000°K WARM-WHITE	M 10°	346	115.33	<input type="checkbox"/> TEXTURED GREY <input type="checkbox"/> MATT WHITE (ON REQUEST) <input type="checkbox"/> MATT BLACK (ON REQUEST)
		M 30°	329	109.66	
		M 45°	312	104.00	
	4.000°K NEUTRAL-WHITE	M 10°	360	120.00	
		M 30°	342	114.00	
		M 45°	325	108.33	

\* OTHER LIGHT COLORS AVAILABLE ON REQUEST: ○ 4.000°K NEUTRAL-WHITE, ● BLUE

**101012M HYDROCASE MINI GU10**

Square small floodlight for outdoor installation on a façade/wall. Phospho-chromatised and polyester powder coated die-cast copper-free aluminium body, tempered safety glass, moulded silicone gasket and stainless steel screws. GU10 LED / halogen. IP65 rating.

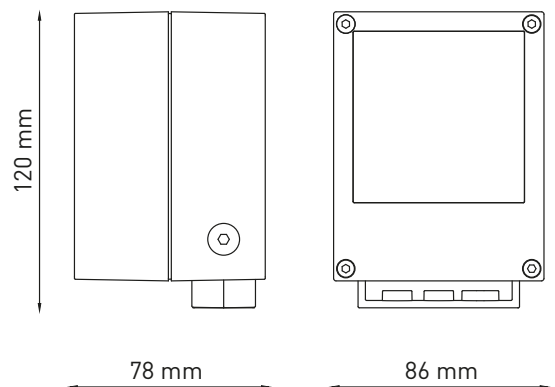
- Material: high corrosion resistance die-cast copper-free aluminum body
- Coating: polyester powder coating with phosphochromating pre-finish
- GU10 base, MAX 50W
- Stainless steel screws
- Silicone rubber gasket
- Tempered safety glass.
- Nickel-plated brass cable gland PG9
- 1 meter power cable included




WITH EXTENDED FIXING BRACKET  
OPTION  
101004 - LED  
101013M - GU 10



AC001  
HEARTH SPIKE



	LIGHT SOURCE	LIGHT COLOR	LIGHT BEAM OPTIONS	COLORS OPTIONS
50 WATT MAX 220-240V 50-60HZ IP65 0.80 KG UNIT GROSS WEIGHT	 GU10 LED / HALOGEN	SEE BULB FEATURES	SEE BULB FEATURES	■ TEXTURED GREY □ MATT WHITE (ON REQUEST) ■ MATT BLACK (ON REQUEST)

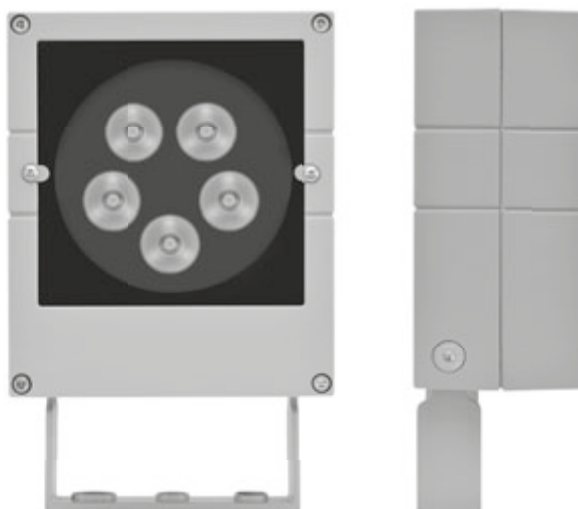
**101006 HYDROCASE MEDIUM LED**

Square floodlight for outdoor installation on a façade/wall.

Phospho-chromatised and polyester powder coated die-cast copper-free aluminium body, tempered safety glass, moulded silicone gasket and stainless steel screws. built-in LED driver 220-240V 50-60Hz, with 5 CREE XP-G3 LED. IP65 rating.

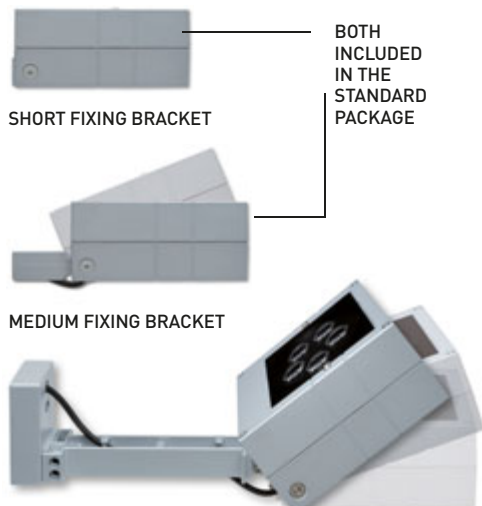
**Energy Label A++**

- Material: high corrosion resistance die-cast copper-free aluminum body
- Coating: polyester powder coating with phosphochromating pre-finish
- NR. 5 x 1.5W CREE "XP-G3" LED
- Electronic transformer 220/240V 50/60Hz included
- Stainless steel screws
- Silicone rubber gasket
- Tempered safety glass.
- Double nickel-plated brass cable gland PG11
- 1 mt. neoprene power cable included



**1...10 V DALI**  
1-10 V DIMMABLE / DALI VERSION  
AVAILABLE ON REQUEST

**Full RGB**  
AVAILABLE ON REQUEST

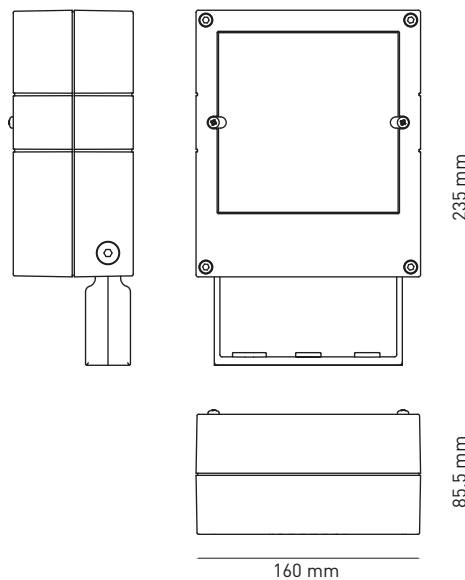


**BOTH INCLUDED IN THE STANDARD PACKAGE**

SHORT FIXING BRACKET

MEDIUM FIXING BRACKET

101007 - EXTENDED FIXING BRACKET - OPTION



8 WATT  
220-240V 50-60HZ ELECTRONIC  
IP65  
2,00 KG UNIT GROSS WEIGHT

LIGHT SOURCE	LED COLOR*	LIGHT BEAM OPTIONS	LUMEN OUTPUT (lm)	LUMINOUS EFFICACY (lm/w)	COLORS OPTIONS
HIGH-POWER LED	3.000°K WARM-WHITE	M 10°	720	90.00	<input type="checkbox"/> TEXTURED GREY <input type="checkbox"/> MATT WHITE (ON REQUEST) <input checked="" type="checkbox"/> MATT BLACK (ON REQUEST)
		M 30°	684	85.50	
		M 45°	650	81.25	
	4.000°K NEUTRAL-WHITE	M 10°	750	93.75	
		M 30°	713	89.13	
		M 45°	677	84.63	

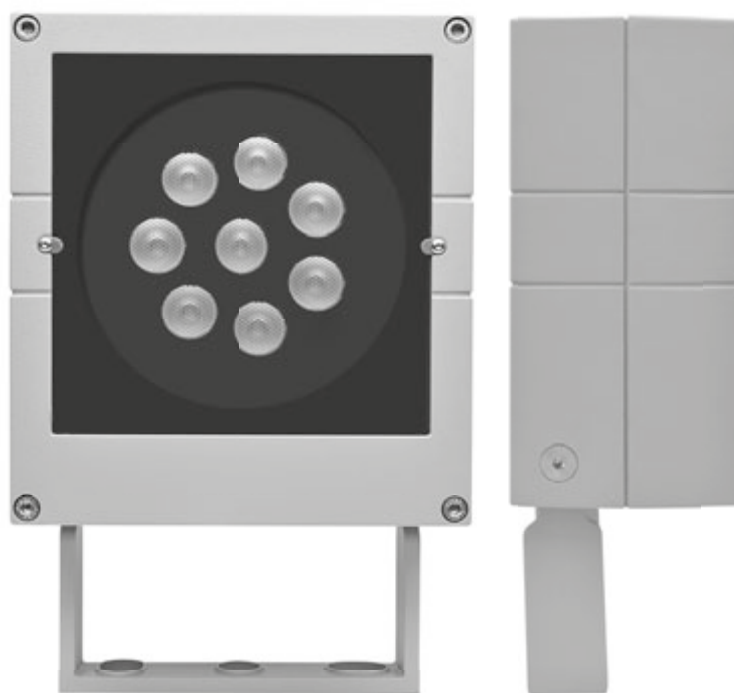
**101008 HYDROCASE MAXI LED**

Square floodlight for outdoor installation on a façade/wall.

Phospho-chromatised and polyester powder coated die-cast copper-free aluminium body, tempered safety glass, moulded silicone gasket and stainless steel screws. built-in LED driver 220-240V 50-60Hz, with 8 CREE XP-G3 LED. IP65 rating.

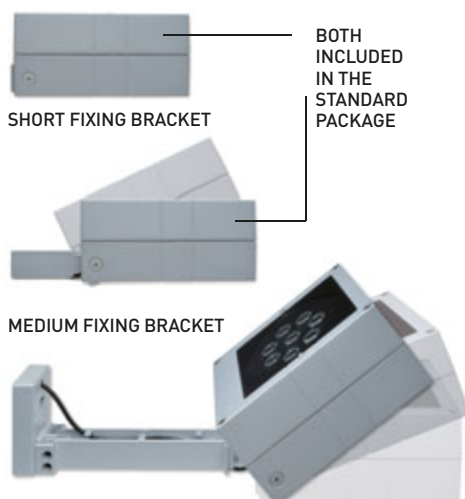
**Energy Label** A++

- Material: high corrosion resistance die-cast copper-free aluminum body
- Coating: polyester powder coating with phosphochromating pre-finish
- NR. 8 x 1.5W CREE "XP-G3" LED
- Electronic transformer 220/240V 50/60Hz included
- Stainless steel screws
- Silicone rubber gasket
- Tempered safety glass.
- Double nickel-plated brass cable gland PG11
- 1 mt. neoprene power cable included

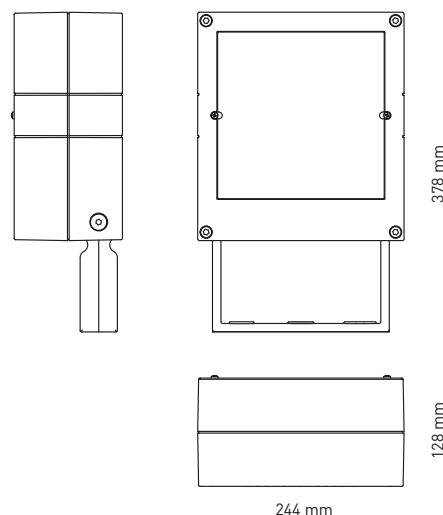


**1...10 V** **DALI**  
1-10 V DIMMABLE / DALI VERSION  
AVAILABLE ON REQUEST

**Full RGB**  
AVAILABLE ON REQUEST



101009 - EXTENDED FIXING BRACKET - OPTION



12 WATT  
220-240V 50-60HZ ELECTRONIC  
IP65  
5,00 KG UNIT GROSS WEIGHT

LIGHT SOURCE	LED COLOR*	LIGHT BEAM OPTIONS	LUMEN OUTPUT (lm)	LUMINOUS EFFICACY (lm/w)	COLORS OPTIONS
HIGH-POWER LED	3.000°K WARM-WHITE	M 10°	1.152	96.00	<input checked="" type="checkbox"/> TEXTURED GREY <input type="checkbox"/> MATT WHITE (ON REQUEST) <input checked="" type="checkbox"/> MATT BLACK (ON REQUEST)
		M 30°	1.095	91.25	
		M 45°	1.040	86.67	
	4.000°K NEUTRAL-WHITE	M 10°	1.200	100.00	
		M 30°	1.140	95.00	
		M 45°	1.083	90.25	

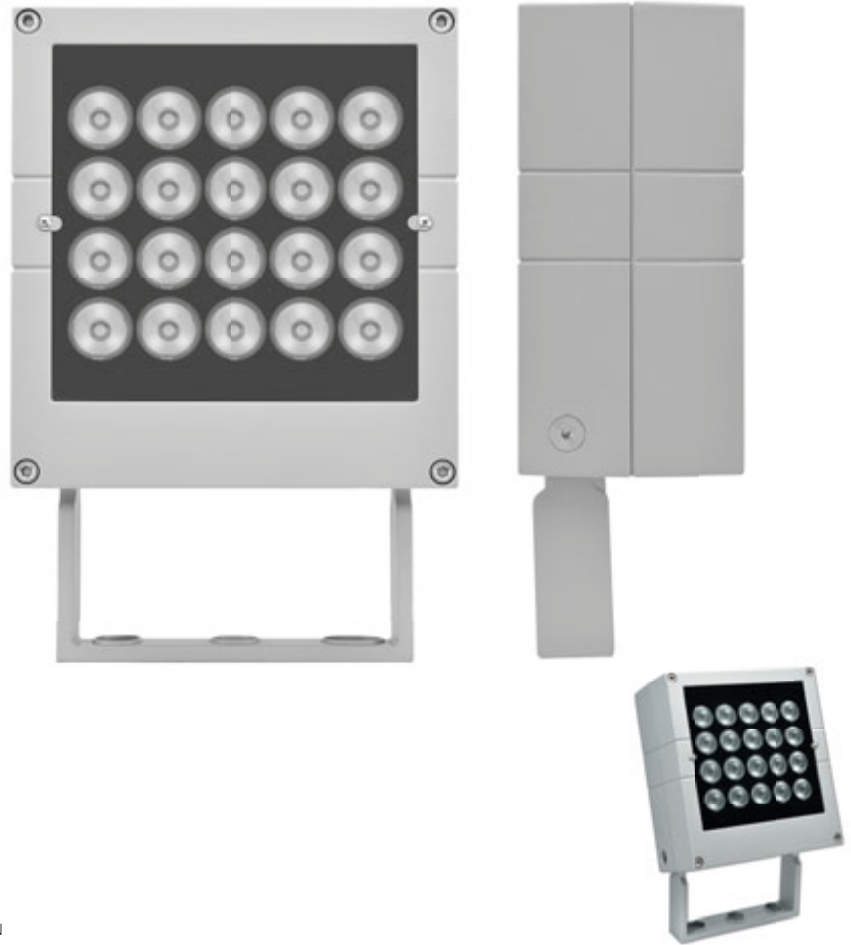
\* OTHER LIGHT COLORS AVAILABLE ON REQUEST: ○ 4.000°K NEUTRAL-WHITE, ● BLUE

**101014 HYDROCASE MAXI-20 LED**

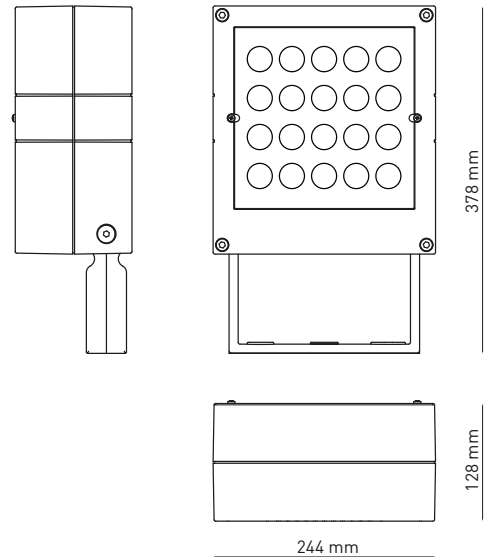
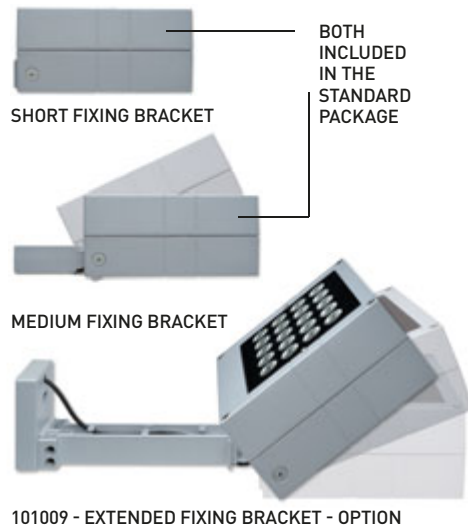
Square floodlight for outdoor installation on a façade/wall. Phospho-chromatised and polyester powder coated die-cast copper-free aluminium body, tempered safety glass, moulded silicone gasket and stainless steel screws. built-in LED driver 220-240V 50-60Hz, with 20 CREE XP-G3 LED. IP65 rating.

**Energy Label** A++

- Material: high corrosion resistance die-cast copper-free aluminum body
- Coating: polyester powder coating with phosphochromating pre-finish
- NR. 20 x 1.5W CREE "XP-G3" LED
- Electronic transformer 220/240V 50/60Hz included
- Stainless steel screws
- Silicone rubber gasket
- Tempered safety glass.
- Double nickel-plated brass cable gland PG11
- 1 mt. neoprene power cable included



**1...10 V** **DALI**  
1-10 V DIMMABLE / DALI VERSION  
AVAILABLE ON REQUEST

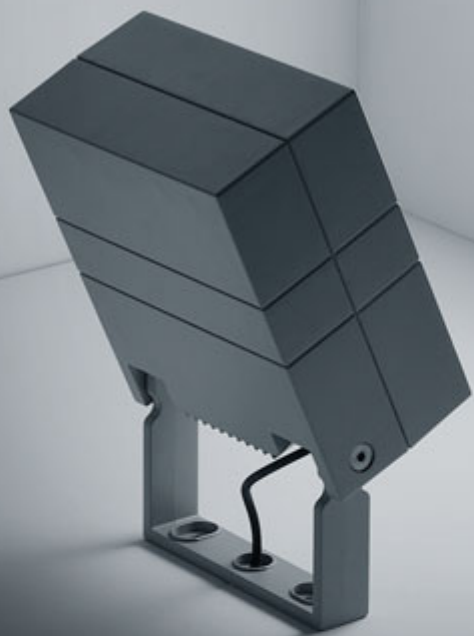


30 WATT  
220-240V 50-60HZ ELECTRONIC  
IP65  
5,50 KG UNIT GROSS WEIGHT

LIGHT SOURCE	LED COLOR*	LIGHT BEAM OPTIONS	LUMEN OUTPUT (lm)	LUMINOUS EFFICACY (lm/w)	COLORS OPTIONS
HIGH-POWER LED	3.000°K WARM-WHITE	<b>M</b> 10°	2.880	96.00	<input type="checkbox"/> TEXTURED GREY <input type="checkbox"/> MATT WHITE (ON REQUEST) <input type="checkbox"/> MATT BLACK (ON REQUEST)
		<b>M</b> 30°	2.736	91.20	
		<b>M</b> 45°	2.600	86.67	
	4.000°K NEUTRAL-WHITE	<b>M</b> 10°	3.000	100.00	
		<b>M</b> 30°	2.850	95.00	
		<b>M</b> 45°	2.708	90.26	

\* OTHER LIGHT COLORS AVAILABLE ON REQUEST: ○ 4.000°K NEUTRAL-WHITE, ● BLUE





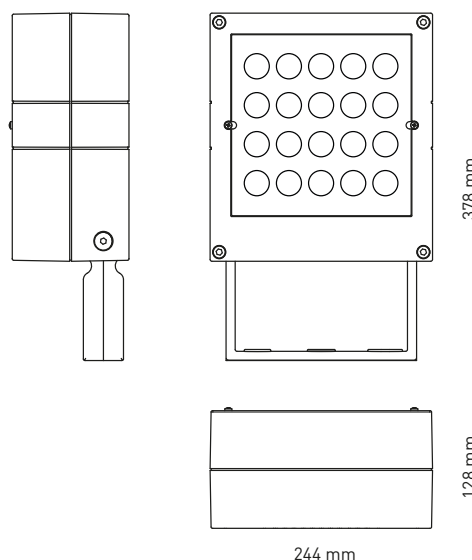
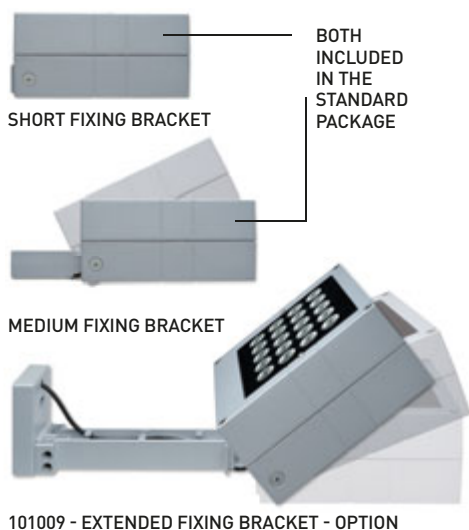
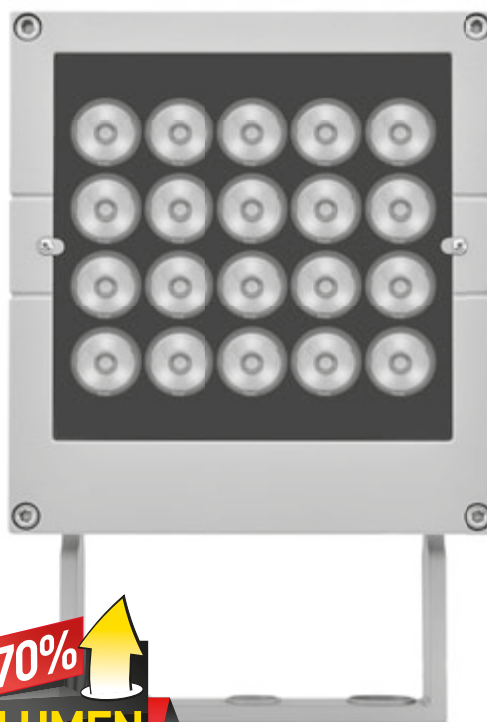
**101016 HYDROCASE MAXI-20 PRO LED**

Square floodlight for outdoor installation on a façade/wall. Phospho-chromatised and polyester powder coated die-cast copper-free aluminium body, tempered safety glass, moulded silicone gasket and stainless steel screws. built-in LED driver 220-240V 50-60Hz, with 20 CREE XP-L LED. IP65 rating.

**Energy Label** A++

- Material: high corrosion resistance die-cast copper-free aluminum body
- Coating: polyester powder coating with phosphochromating pre-finish
- NR. 20 CREE "XP-L" LED
- Electronic transformer 220/240V 50/60Hz included
- Stainless steel screws
- Silicone rubber gasket
- Tempered safety glass.
- Double nickel-plated brass cable gland PG11
- 1 mt. neoprene power cable included

**+70%**  
**LUMEN OUTPUT**



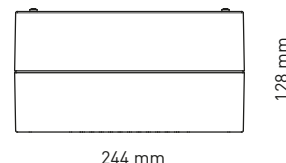
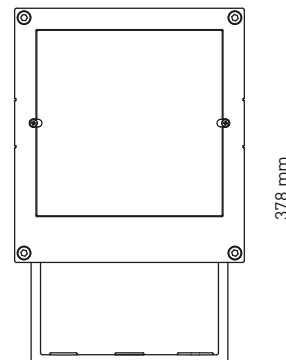
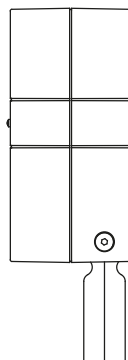
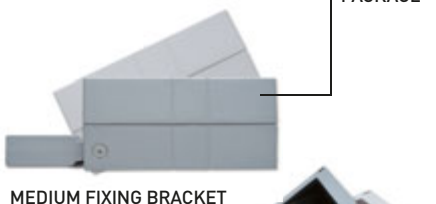
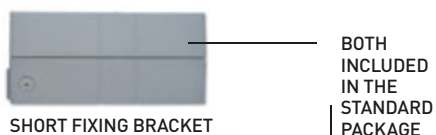
	LIGHT SOURCE	LED COLOR*	LIGHT BEAM OPTIONS	LUMEN OUTPUT (lm)	LUMINOUS EFFICACY (lm/w)	COLORS OPTIONS
50 WATT 220-240V 50-60HZ ELECTRONIC IP65 5.2 KG UNIT GROSS WEIGHT	HIGH-POWER LED	3.000°K WARM-WHITE	10°	4.900	98.00	<ul style="list-style-type: none"> <li><span style="display: inline-block; width: 15px; height: 15px; background-color: grey; border: 1px solid black; margin-right: 5px;"></span> TEXTURED GREY</li> <li><span style="display: inline-block; width: 15px; height: 15px; background-color: white; border: 1px solid black; margin-right: 5px;"></span> MATT WHITE (ON REQUEST)</li> <li><span style="display: inline-block; width: 15px; height: 15px; background-color: black; border: 1px solid black; margin-right: 5px;"></span> MATT BLACK (ON REQUEST)</li> </ul>
			30°	4.650	93.00	
			45°	4.420	88.40	

\* OTHER LIGHT COLORS AVAILABLE ON REQUEST: ○ 4.000°K NEUTRAL-WHITE

**101010 HYDROCASE MAXI G12**

Square floodlight for outdoor installation on a façade/wall. Phospho-chromatised and polyester powder coated die-cast copper-free aluminium body, tempered safety glass, moulded silicone gasket and stainless steel screws. Built-in ballast 220V 50Hz, G12 35W or 70W metal halide. IP65 rating.

- Material: high corrosion resistance die-cast copper-free aluminum body
- Coating: polyester powder coating with phosphochromating pre-finish
- HIT CRI 35W G12 or HIT CRI 70W G12
- Conventional ballast 230V 50Hz
- Stainless steel screws
- Silicone rubber gasket
- Tempered safety glass.
- Nickel-plated brass cable gland PG11



	LIGHT SOURCE	LIGHT COLOR	LIGHT BEAM OPTIONS	COLORS OPTIONS
35 WATT   70 WATT HIT-CRI - BASE G12 230V 50HZ IP65 5.20 KG UNIT GROSS WEIGHT	 HIT-CRI - BASE G12	SEE BULB FEATURES	 4° SUPER-NARROW (ON REQUEST)	<input checked="" type="checkbox"/> TEXTURED GREY
			 10° NARROW	<input type="checkbox"/> MATT WHITE (ON REQUEST)
			 23° FLOOD (ON REQUEST)	<input checked="" type="checkbox"/> MATT BLACK (ON REQUEST)

**101301 HYDROTWIST MICRO LED**

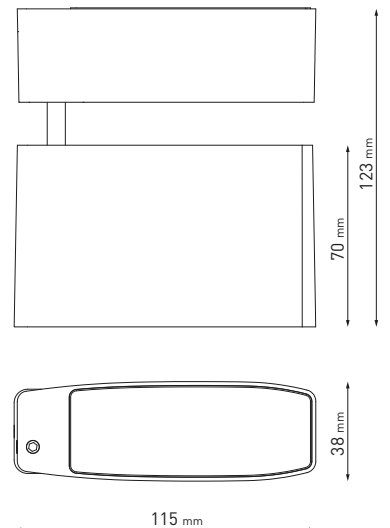
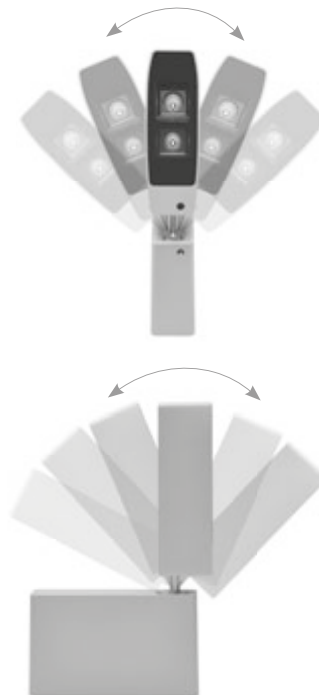
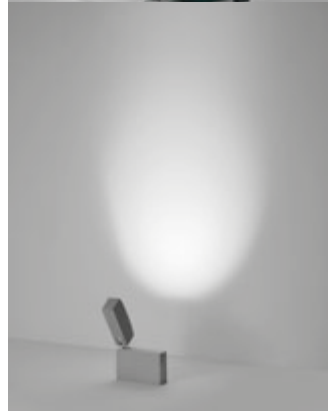


Designed by **paolovilladesign**

Floodlight for outdoor installation on a façade/wall, with special articulated joint with spheres, allowing endless positions of the fixture head. Phosphochromatised and polyester powder coated die-cast copper-free aluminium base and head, tempered safety glass, moulded silicone gaskets and o-rings, with non-visible screws in stainless steel. Special optics with "invisa-light" technology. Built-in LED driver, with 2 CREE XP-G2 LED. IP65 rating.

**Energy Label** **A++**

- Material: high corrosion resistance die-cast copper-free aluminum body
- Coating: polyester powder coating with phosphochromating pre-finish
- NR. 2 CREE "XP-G2" LED
- Electronic transformer 220/240V 50/60Hz included
- Special optics with "invisa-light" technology.
- Stainless steel screws
- Silicone rubber gaskets and o-rings.
- Tempered safety glass.
- M12 rubber grommet Rutaseal® in EPDM



4.5 WATT  
220-240V 50-60HZ ELECTRONIC  
IP65  
1,00 KG UNIT GROSS WEIGHT

LIGHT SOURCE	LED COLOR*	LIGHT BEAM OPTIONS	LUMEN OUTPUT (lm)	LUMINOUS EFFICACY (lm/w)	COLORS OPTIONS
HIGH-POWER LED	3.000°K WARM-WHITE	18°	280	62.22	TEXTURED GREY
		36°	270	60.00	MATT WHITE (ON REQUEST)
	4.000°K NEUTRAL-WHITE	18°	308	68.44	MATT BLACK (ON REQUEST)
		36°	292	64.88	



**101302 HYDROTWIST MINI LED**

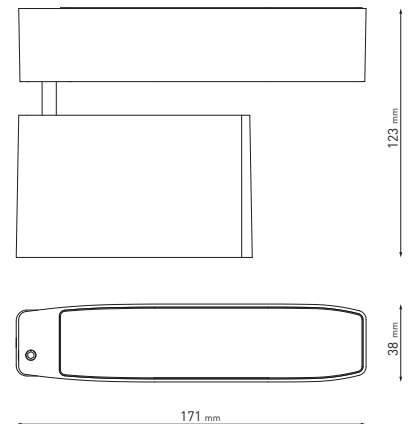
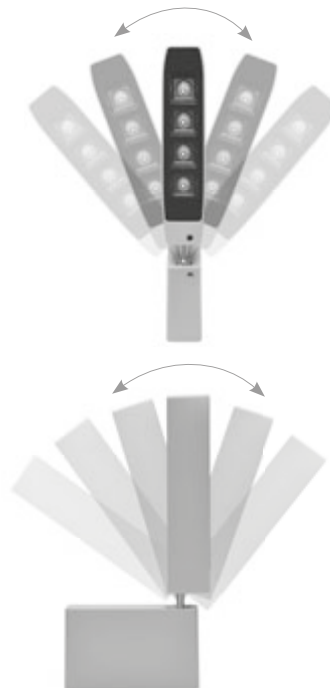
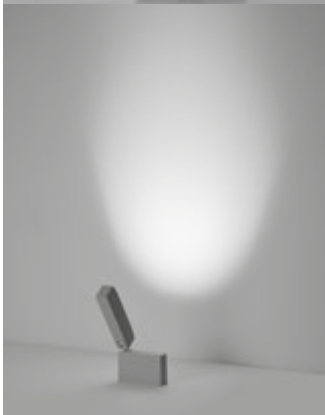
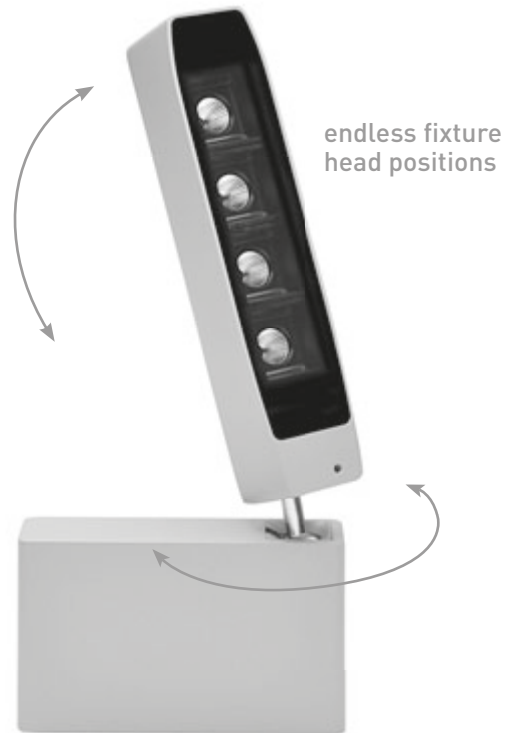


Designed by **paolovilladesign**

Floodlight for outdoor installation on a façade/wall, with special articulated joint with spheres, allowing endless positions of the fixture head. Phosphochromatised and polyester powder coated die-cast copper-free aluminium base and head, tempered safety glass, moulded silicone gaskets and o-rings, with non-visible screws in stainless steel. Special optics with "invisa-light" technology. Built-in LED driver, with 4 CREE XP-G2 LED. IP65 rating.

**Energy Label** **A++**

- Material: high corrosion resistance die-cast copper-free aluminium body
- Coating: polyester powder coating with phosphochromating pre-finish
- NR. 4 CREE "XP-G2" LED
- Electronic transformer 220/240V 50/60Hz included
- Special optics with "invisa-light" technology.
- Stainless steel screws
- Silicone rubber gaskets and o-rings.
- Tempered safety glass.
- M12 rubber grommet Rutaseal® in EPDM



7 WATT  
220-240V 50-60HZ ELECTRONIC  
IP65  
1,20 KG UNIT GROSS WEIGHT

LIGHT SOURCE	LED COLOR*	LIGHT BEAM OPTIONS	LUMEN OUTPUT (lm)	LUMINOUS EFFICACY (lm/w)	COLORS OPTIONS
HIGH-POWER LED	3.000°K WARM-WHITE	18°	560	80.00	<input type="checkbox"/> TEXTURED GREY <input type="checkbox"/> MATT WHITE (ON REQUEST) <input type="checkbox"/> MATT BLACK (ON REQUEST)
		36°	540	77.14	
	4.000°K NEUTRAL-WHITE	18°	616	88.00	
		36°	584	83.43	









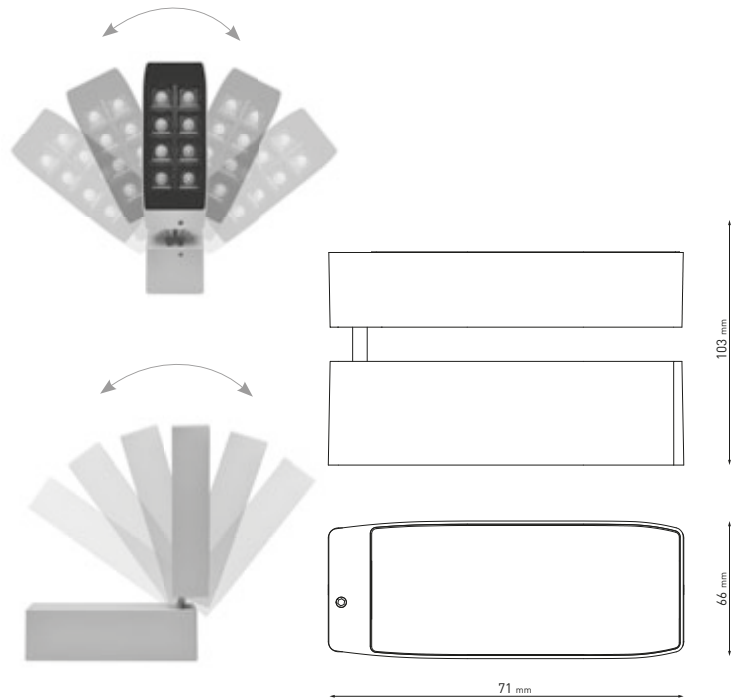
**101303 HYDROTWIST MEDIUM LED**



Floodlight for outdoor installation on a façade/wall, with special articulated joint with spheres, allowing endless positions of the fixture head. Phosphochromatised and polyester powder coated die-cast copper-free aluminium base and head, tempered safety glass, moulded silicone gaskets and o-rings, with non-visible screws in stainless steel. Special optics with "invisa-light" technology. Built-in LED driver, with 8 CREE XP-G2 LED. IP65 rating.

**Energy Label** **A++**

- Material: high corrosion resistance die-cast copper-free aluminum body
- Coating: polyester powder coating with phosphochromating pre-finish
- NR. 8 CREE "XP-G2" LED
- Electronic transformer 220/240V 50/60Hz included
- Special optics with "invisa-light" technology.
- Stainless steel screws
- Silicone rubber gaskets and o-rings.
- Tempered safety glass.
- M12 rubber grommet Rutaseal® in EPDM



14 WATT  
220-240V 50-60HZ ELECTRONIC  
IP65  
1,80 KG UNIT GROSS WEIGHT

LIGHT SOURCE	LED COLOR*	LIGHT BEAM OPTIONS	LUMEN OUTPUT (lm)	LUMINOUS EFFICACY (lm/w)	COLORS OPTIONS
HIGH-POWER LED	3.000°K WARM-WHITE	18°	1.120	80.00	TEXTURED GREY
		36°	1.080	77.14	MATT WHITE (ON REQUEST)
	4.000°K NEUTRAL-WHITE	18°	1.232	88.00	MATT BLACK (ON REQUEST)
		36°	1.168	83.43	

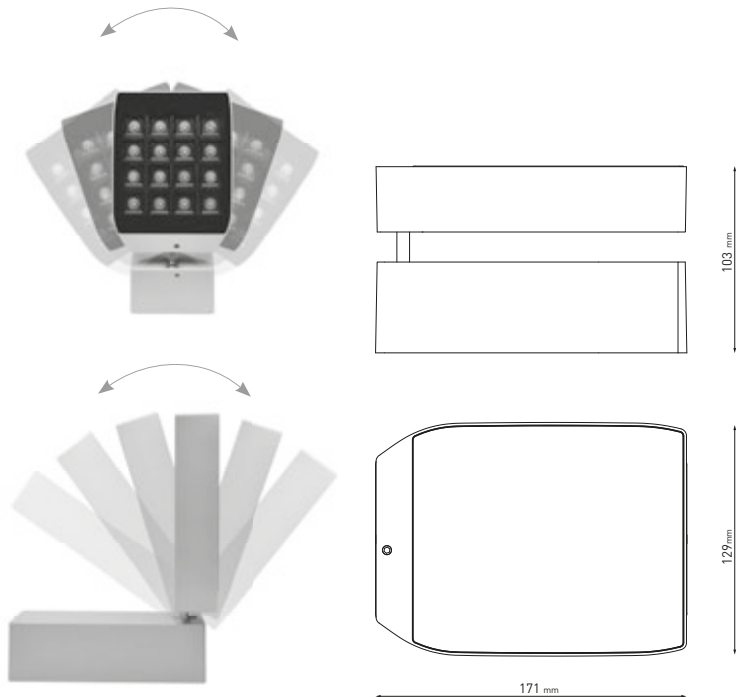
**101304 HYDROTWIST MAXI LED**



Floodlight for outdoor installation on a façade/wall, with special articulated joint with spheres, allowing endless positions of the fixture head. Phosphochromatised and polyester powder coated die-cast copper-free aluminium base and head, tempered safety glass, moulded silicone gaskets and o-rings, with non-visible screws in stainless steel. Special optics with "invisa-light" technology. Built-in LED driver, with 16 CREE XP-G2 LED. IP65 rating.

**Energy Label** **A++**

- Material: high corrosion resistance die-cast copper-free aluminum body
- Coating: polyester powder coating with phosphochromating pre-finish
- NR. 16 CREE "XP-G2" LED
- Electronic transformer 220/240V 50/60Hz included
- Special optics with "invisa-light" technology.
- Stainless steel screws
- Silicone rubber gaskets and o-rings.
- Tempered safety glass.
- M12 rubber grommet Rutaseal® in EPDM



27 WATT  
220-240V 50-60HZ ELECTRONIC  
IP65  
2,50 KG UNIT GROSS WEIGHT

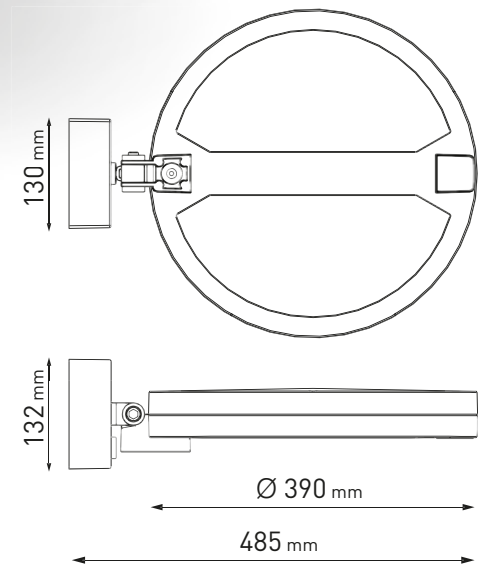
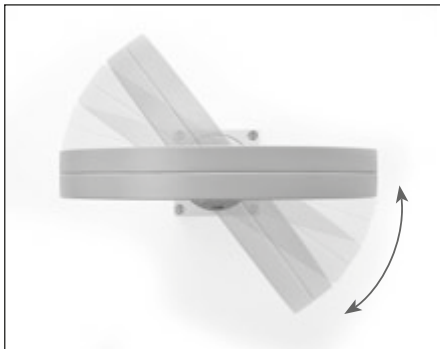
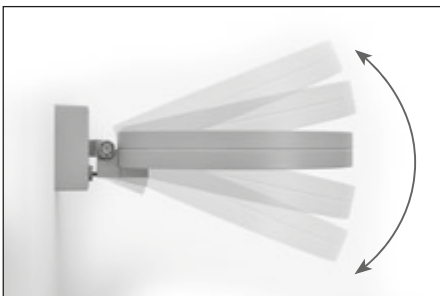
LIGHT SOURCE	LED COLOR*	LIGHT BEAM OPTIONS	LUMEN OUTPUT (lm)	LUMINOUS EFFICACY (lm/w)	COLORS OPTIONS
HIGH-POWER LED	3.000°K WARM-WHITE	18°	2.240	82.96	TEXTURED GREY
		36°	2.160	80.00	MATT WHITE (ON REQUEST)
	4.000°K NEUTRAL-WHITE	18°	2.464	91.26	MATT BLACK (ON REQUEST)
		36°	2.336	86.52	

**101201 HYDROCITY WALL 12+12 LED**

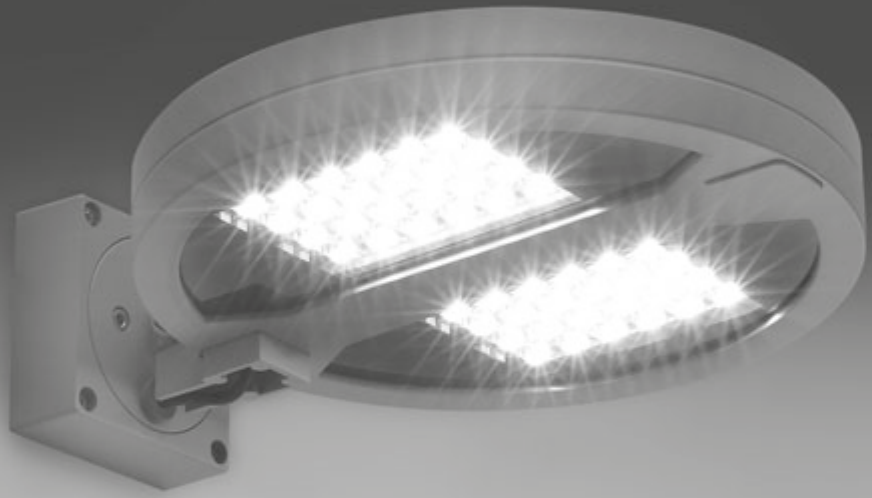
Round wall mounted luminaire for outdoor installation, with downward asymmetric light distribution. Phospho-chromatised and polyester powder coated die-cast copper-free aluminium body, tempered safety glass, moulded silicone gasket and stainless steel screws Built-in LED driver/s, with 24 CREE XP-G3 LED. IP66 rating.

**Energy Label** A++

- Material: high corrosion resistance die-cast copper-free aluminum body
- Coating: polyester powder coating with phosphochromating pre-finish
- NR. 24 x 1.5W CREE "XP-G3" LED
- Electronic transformer 220/240V 50/60Hz included
- Stainless steel screws
- Silicone rubber gasket
- Tempered safety glass.
- 3 m neoprene power cable included



	LIGHT SOURCE	LED COLOR*	LIGHT BEAM OPTIONS	LUMEN OUTPUT (lm)	LUMINOUS EFFICACY (lm/w)	COLORS OPTIONS
36 WATT 220-240V 50-60HZ ELECTRONIC IP66 6,50 KG UNIT GROSS WEIGHT	HIGH-POWER LED	3.000°K WARM-WHITE	<input type="checkbox"/> CYCLE ROUTE PEDESTRIAN <input type="checkbox"/> STREET	3.456	96.00	<input type="checkbox"/> TEXTURED GREY <input type="checkbox"/> MATT WHITE (ON REQUEST) <input type="checkbox"/> MATT BLACK (ON REQUEST)

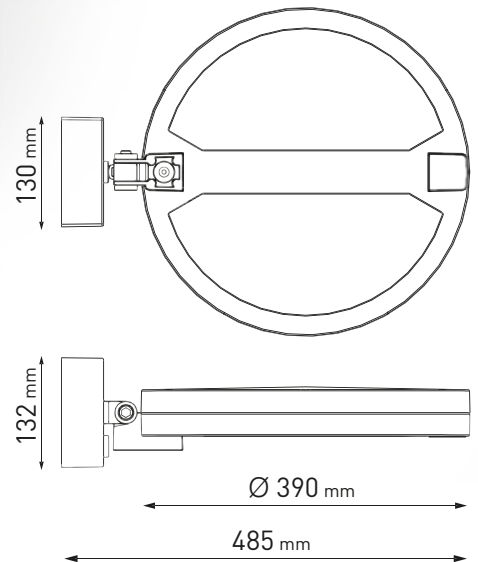
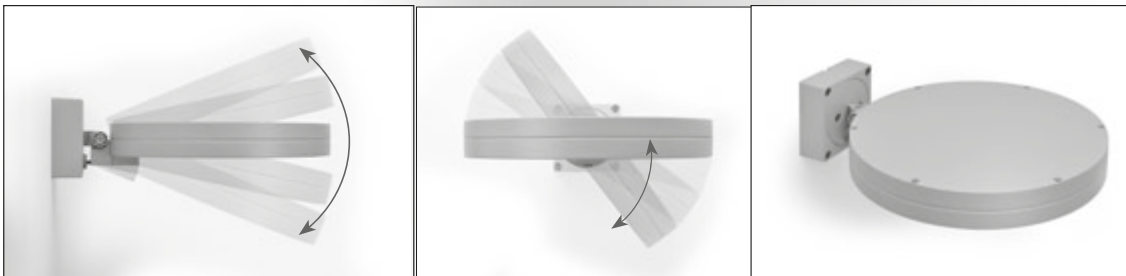


**101202 HYDROCITY WALL 24+24 LED**

Round wall mounted luminaire for outdoor installation, with downward asymmetric light distribution. Phosphochromatised and polyester powder coated die-cast copper-free aluminium body, tempered safety glass, moulded silicone gasket and stainless steel screws Built-in LED driver/s, with 48 CREE XP-G3 LED. IP66 rating.

**Energy Label** A++

- Material: high corrosion resistance die-cast copper-free aluminum body
- Coating: polyester powder coating with phosphochromating pre-finish
- NR. 48 x 1.5W CREE "XP-G3" LED
- Electronic transformer 220/240V 50/60Hz included
- Stainless steel screws
- Silicone rubber gasket
- Tempered safety glass.
- 3 m neoprene power cable included



	LIGHT SOURCE	LED COLOR*	LIGHT BEAM OPTIONS	LUMEN OUTPUT (lm)	LUMINOUS EFFICACY (lm/w)	COLORS OPTIONS
72 WATT 220-240V 50-60HZ ELECTRONIC IP66 6,70 KG UNIT GROSS WEIGHT	HIGH-POWER LED	3,000°K WARM-WHITE	<input checked="" type="checkbox"/> CYCLE ROUTE PEDESTRIAN  <input checked="" type="checkbox"/> STREET	6.912	96.00	<input checked="" type="checkbox"/> TEXTURED GREY <input type="checkbox"/> MATT WHITE (ON REQUEST) <input type="checkbox"/> MATT BLACK (ON REQUEST)

\* OTHER LIGHT COLORS AVAILABLE ON REQUEST: ○ 4.000°K NEUTRAL-WHITE

**103001M HYDROSTAR MINI 01 GU5.3**

Small projector for outdoor installation on a façade/wall. Phospho-chromatised and polyester powder coated die-cast copper-free aluminium body and base, tempered safety glass, moulded silicone gasket and stainless steel screws. Built-in transformer 220-240V 50-60Hz, GU5.3 LED / halogen. IP55 rating.

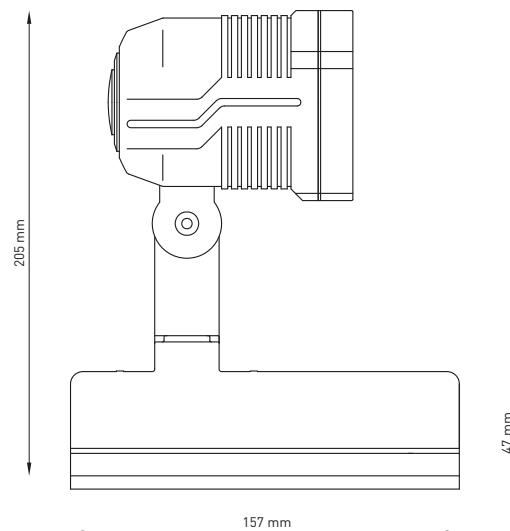
- Material: high corrosion resistance die-cast copper-free aluminum body
- Coating: polyester powder coating with phosphochromating pre-finish
- GU5.3 base, MAX 50W
- Built-in toroidal transformer 220-240V 50-60Hz
- Stainless steel screws
- Silicone rubber gasket
- Tempered safety glass.




BLACK VERSION



KEMPINSKY HOTEL, GOLD COAST CITY, ACCRA, GHANA



	LIGHT SOURCE	LIGHT COLOR	LIGHT BEAM OPTIONS	COLORS OPTIONS
50 WATT MAX – BASE GU5.3 220-240V 50-60HZ IP55 1.65 KG UNIT GROSS WEIGHT	 GU5.3 LED / HALOGEN	SEE BULB FEATURES	SEE BULB FEATURES	■ TEXTURED GREY □ MATT WHITE (ON REQUEST) ■ MATT BLACK (ON REQUEST)

**103003M HYDROSTAR MINI 01 GU10**

Small projector for outdoor installation on a façade/wall. Phospho-chromatised and polyester powder coated die-cast copper-free aluminium body and base, tempered safety glass, moulded silicone gasket and stainless steel screws. GU10 LED / halogen. IP55 rating.

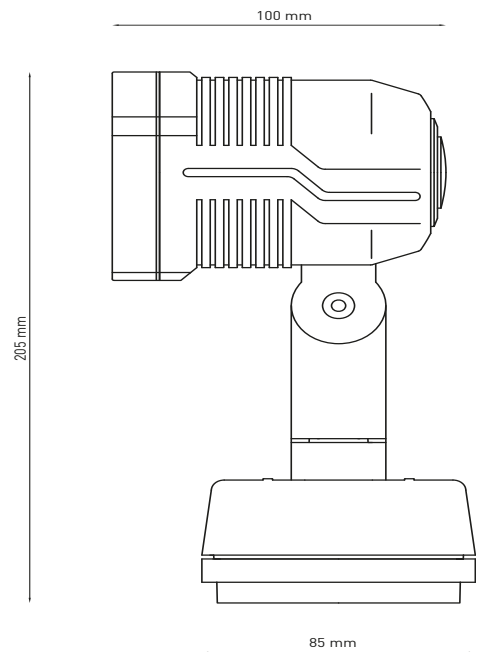
- Material: high corrosion resistance die-cast copper-free aluminum body
- Coating: polyester powder coating with phosphochromating pre-finish
- GU10 base, MAX 50W
- Stainless steel screws
- Silicone rubber gasket
- Tempered safety glass.




BLACK VERSION



AC001  
EARTH SPIKE  
ON REQUEST



	LIGHT SOURCE	LIGHT COLOR	LIGHT BEAM OPTIONS	COLORS OPTIONS
50 WATT MAX 220-240V 50-60HZ IP55 0.75 KG UNIT GROSS WEIGHT	 GU10 LED / HALOGEN	SEE BULB FEATURES	SEE BULB FEATURES	■ TEXTURED GREY □ MATT WHITE (ON REQUEST) ■ MATT BLACK (ON REQUEST)



**103005 HYDROSTAR MEDIUM 01 LED**

Projector for outdoor installation on a façade/wall. Phospho-chromatised and polyester powder coated die-cast copper-free aluminium body and base, tempered safety glass, moulded silicone gasket and stainless steel screws. built-in LED driver 220-240V 50-60Hz, with 5 CREE XP-G3 LED. IP65 rating.

**Energy Label** A++

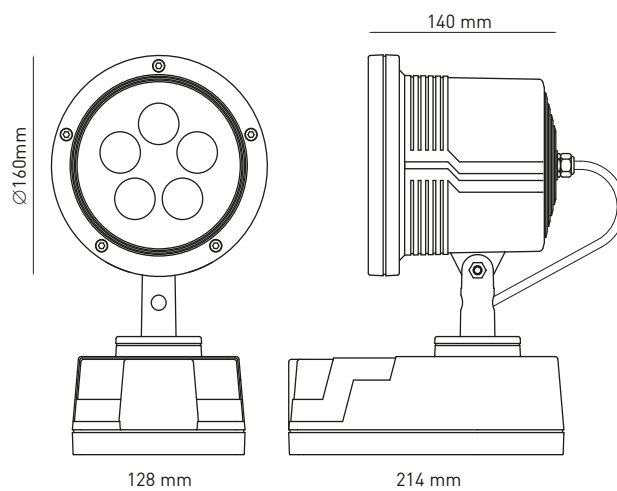
- Material: high corrosion resistance die-cast copper-free aluminum body
- Coating: polyester powder coating with phosphochromating pre-finish
- NR. 5 x 1.5W CREE "XP-G3" LED
- Electronic transformer 220/240V 50/60Hz included
- Stainless steel screws
- Silicone rubber gasket
- Tempered safety glass.



1-10 V DIMMABLE / DALI VERSION  
AVAILABLE ON REQUEST



AVAILABLE ON REQUEST



AC001  
EARTH SPIKE  
ON REQUEST

8 WATT  
220-240V 50-60HZ ELECTRONIC  
IP65  
3.30 KG UNIT GROSS WEIGHT

LIGHT SOURCE	LED COLOR*	LIGHT BEAM OPTIONS	LUMEN OUTPUT (lm)	LUMINOUS EFFICACY (lm/w)	COLORS OPTIONS
HIGH-POWER LED	3.000°K WARM-WHITE	M 10°	720	90.00	<input type="checkbox"/> TEXTURED GREY  <input type="checkbox"/> MATT WHITE (ON REQUEST)  <input checked="" type="checkbox"/> MATT BLACK (ON REQUEST)
		M 30°	684	85.50	
		M 45°	650	81.25	
	4.000°K NEUTRAL-WHITE	M 10°	750	93.75	
		M 30°	713	89.13	
		M 45°	677	84.63	

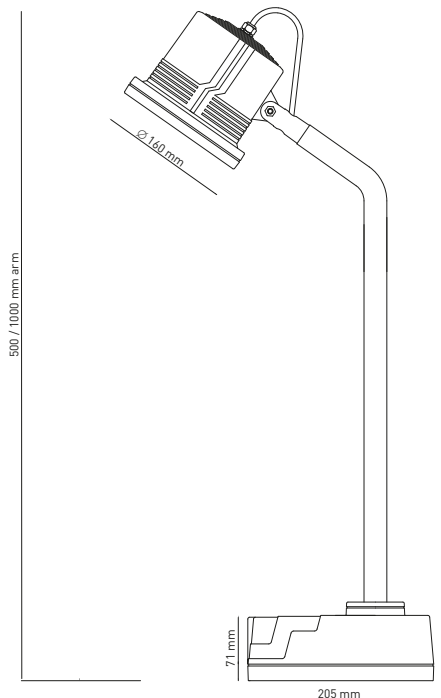
\* OTHER LIGHT COLORS AVAILABLE ON REQUEST: ○ 4.000°K NEUTRAL-WHITE, ● BLUE

**103011 HYDROSTAR MEDIUM 02 LED**

Projector for outdoor installation on a façade/wall. Phospho-chromatised and polyester powder coated die-cast copper-free aluminium body and base, tempered safety glass, moulded silicone gasket and stainless steel screws. built-in LED driver 220-240V 50-60Hz, with 5 CREE XP-G3 LED. IP65 rating.

**Energy Label** A++

- Material: high corrosion resistance die-cast copper-free aluminum body
- Coating: polyester powder coating with phosphochromating pre-finish
- NR. 5 x 1.5W CREE "XP-G3" LED
- Electronic transformer 220/240V 50/60Hz included
- Stainless steel screws
- Silicone rubber gasket
- Tempered safety glass.



8 WATT  
220-240V 50-60HZ ELECTRONIC  
IP65  
3.50 KG UNIT GROSS WEIGHT

LIGHT SOURCE	LED COLOR*	LIGHT BEAM OPTIONS	LUMEN OUTPUT (lm)	LUMINOUS EFFICACY (lm/w)	COLORS OPTIONS
HIGH-POWER LED	3.000°K WARM-WHITE	<b>M</b> 10°	720	90.00	<input type="checkbox"/> TEXTURED GREY <input type="checkbox"/> MATT WHITE (ON REQUEST) <input type="checkbox"/> MATT BLACK (ON REQUEST)
		<b>M</b> 30°	684	85.50	
		<b>M</b> 45°	650	81.25	
	4.000°K NEUTRAL-WHITE	<b>M</b> 10°	750	93.75	
		<b>M</b> 30°	713	89.13	
		<b>M</b> 45°	677	84.63	

\* OTHER LIGHT COLORS AVAILABLE ON REQUEST: ○ 4.000°K NEUTRAL-WHITE, ● BLUE



**MARSA MALAZ KEMPINSKI HOTEL**

Location: The Pearl, Doha, Qatar

PUK products:



**103005**  
**Hydrostar Medium 01 LED**

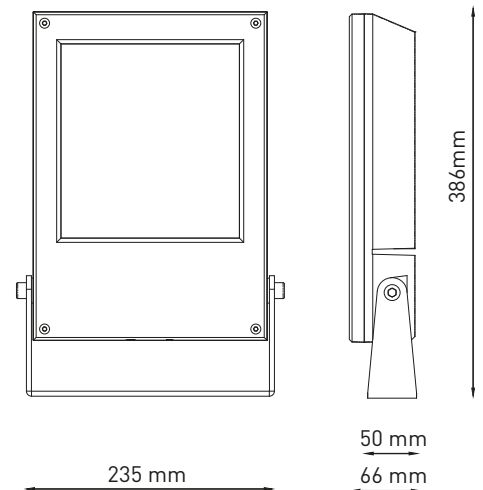


**104003 HYDRODAN LED**

Floodlight for outdoor installation on a façade/wall. Phospho-chromatised and polyester powder coated die-cast copper-free aluminium body, tempered safety glass, moulded silicone gasket and stainless steel screws. Built-in ballast 220-240V 50-60Hz, with 48 CREE XP-E LED. IP65 rating.

**Energy Label** A++

- Material: high corrosion resistance die-cast copper-free aluminum body
- Coating: polyester powder coating with phosphochromating pre-finish
- NR. 48 x 2W CREE "XP-E" LED
- Electronic transformer 220/240V 50/60Hz included
- Stainless steel screws
- Silicone rubber gasket
- Tempered safety glass.
- 1 mt. neoprene power cable included



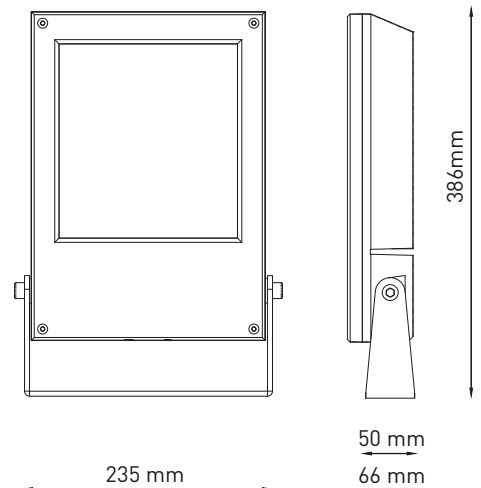
	LIGHT SOURCE	LED COLOR*	LIGHT BEAM OPTIONS	LUMEN OUTPUT (lm)	LUMINOUS EFFICACY (lm/w)	COLORS OPTIONS
100 WATT 220-240V 50-60HZ ELECTRONIC IP65 5.20 KG UNIT GROSS WEIGHT	HIGH-POWER LED	3.000°K WARM-WHITE	30°	5.200	52.00	TEXTURED GREY




**104004 HYDRODAN LED ASYMMETRIC**

Floodlight for outdoor installation on a façade/wall. Asymmetric light distribution. Phospho-chromatised and polyester powder coated die-cast copper-free aluminium body, tempered safety glass, moulded silicone gasket and stainless steel screws. Built-in ballast 220-240V 50-60Hz, with 30 CREE XP-E LED. IP65 rating.

**Energy Label** A++

- Material: high corrosion resistance die-cast copper-free aluminum body
- Coating: polyester powder coating with phosphochromating pre-finish
- NR. 30 x 2W CREE "XP-E" LED
- Electronic transformer 220/240V 50/60Hz included
- Stainless steel screws
- Silicone rubber gasket
- Tempered safety glass.
- 1 mt. neoprene power cable included



	LIGHT SOURCE	LED COLOR*	LIGHT BEAM OPTIONS	LUMEN OUTPUT (lm)	LUMINOUS EFFICACY (lm/w)	COLORS OPTIONS
60 WATT 220-240V 50-60HZ ELECTRONIC IP65 4,70 KG UNIT GROSS WEIGHT	HIGH-POWER LED	 3.000°K WARM-WHITE	 120° X 70°	3.300	55.00	 TEXTURED GREY



**105003 HYDROSCAPE LED**

Slim rectangular floodlight for outdoor installation on a façade/wall. Phosphochromatised and polyester powder coated die-cast copper-free aluminium body, tempered safety glass, moulded silicone gasket and stainless steel screws. built-in LED driver 220-240V 50-60Hz, with 15 CREE XP-G3 LED. IP65 rating.

**Energy Label** A++

- Material: high corrosion resistance die-cast copper-free aluminum body
- Coating: polyester powder coating with phosphochromating pre-finish
- NR. 15 x 1.5W CREE "XP-G3" LED
- Electronic transformer 220/240V 50/60Hz included
- Stainless steel screws
- Silicone rubber gasket
- Tempered safety glass.
- Double M20 cable gland.
- 1 mt. neoprene power cable included



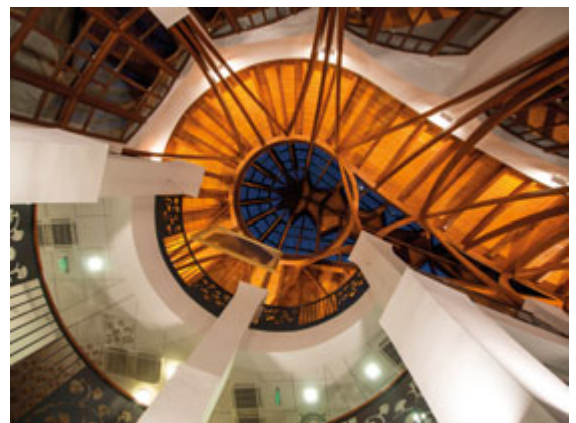
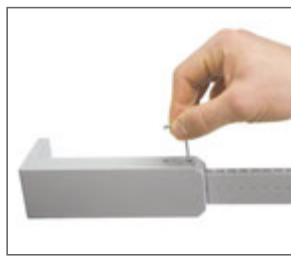
**1...10 V**

**DALI**

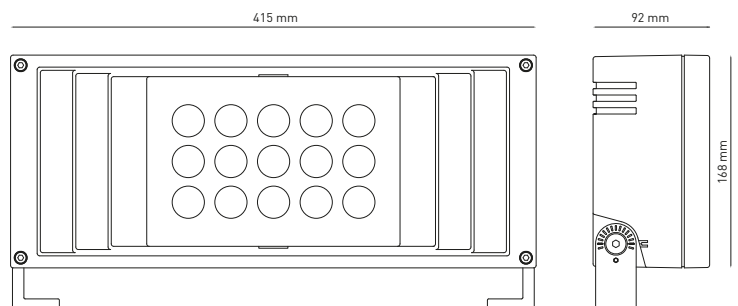
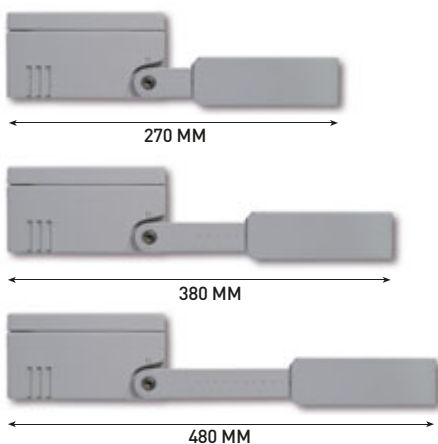
1-10 V DIMMABLE / DALI VERSION  
AVAILABLE ON REQUEST



WATER DRAINAGE



PANCHO ARENA, FELCSUT, HUNGARY



AC003: WALL EXTENSIBLE BRACKET  
DIE-CAST ALUMINUM  
(OPTION TO BE ORDERED SEPARATELY)

22 WATT  
220-240V 50-60HZ ELECTRONIC  
IP65  
3.80 KG UNIT GROSS WEIGHT

LIGHT SOURCE	LED COLOR*	LIGHT BEAM OPTIONS	LUMEN OUTPUT (lm)	LUMINOUS EFFICACY (lm/w)	COLORS OPTIONS
HIGH-POWER LED	3.000°K WARM-WHITE	M 10°	2.160	98.18	<input checked="" type="checkbox"/> TEXTURED GREY  <input type="checkbox"/> MATT WHITE (ON REQUEST)  <input checked="" type="checkbox"/> MATT BLACK (ON REQUEST)
		M 30°	2.052	93.28	
		M 45°	1.950	88.64	
	4.000°K NEUTRAL-WHITE	M 10°	2.250	102.27	
		M 30°	2.138	97.18	
		M 45°	2.031	92.32	

\* OTHER LIGHT COLORS AVAILABLE ON REQUEST: ● BLUE

**106001 HYDROSKY MINI LED**

Projector for outdoor installation on a façade/wall. Phospho-chromatised and polyester powder coated die-cast copper-free aluminium body, base and anti-glare visor, tempered safety glass, moulded silicone gasket and stainless steel screws. built-in LED driver 220-240V 50-60Hz, with 3 CREE XP-E LED. IP66 rating.

**Energy Label** A++

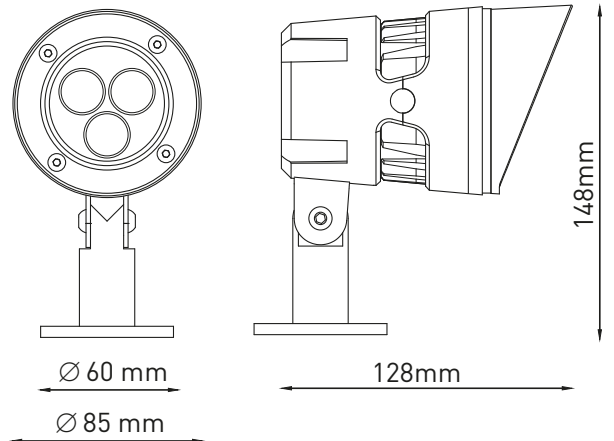
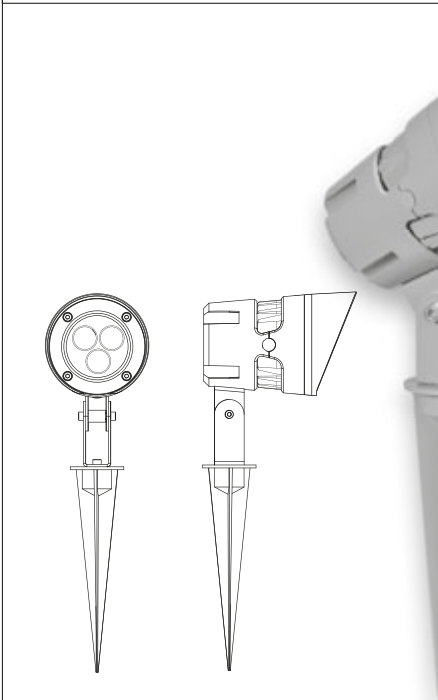
- Material: high corrosion resistance die-cast copper-free aluminum body
- Coating: polyester powder coating with phosphochromating pre-finish
- NR. 3 x 2W CREE "XP-E" LED
- Electronic transformer 220/240V 50/60Hz included
- Stainless steel screws
- Silicone rubber gasket
- Tempered safety glass.
- Anti-glare visor.
- 1 mt. neoprene power cable included



AC038 - TREE STRAP

**106002**

**HYDROSKY MINI LED EARTH SPIKE**



	LIGHT SOURCE	LED COLOR*	LIGHT BEAM OPTIONS	LUMEN OUTPUT (lm)	LUMINOUS EFFICACY (lm/w)	COLORS OPTIONS
6 WATT 220-240V 50-60HZ ELECTRONIC IP66 1,50 KG UNIT GROSS WEIGHT	HIGH-POWER LED	3.000°K WARM-WHITE	30°	350	58.33	TEXTURED GREY

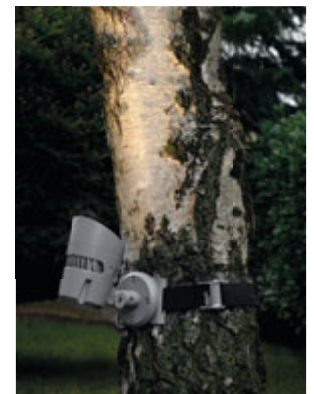


**106003 HYDROSKY MEDIUM LED**

Projector for outdoor installation on a façade/wall. Phospho-chromatised and polyester powder coated die-cast copper-free aluminium body, base and anti-glare visor, tempered safety glass, moulded silicone gasket and stainless steel screws. built-in LED driver 220-240V 50-60Hz, with 9 CREE XP-E LED. IP66 rating.

**Energy Label** A++

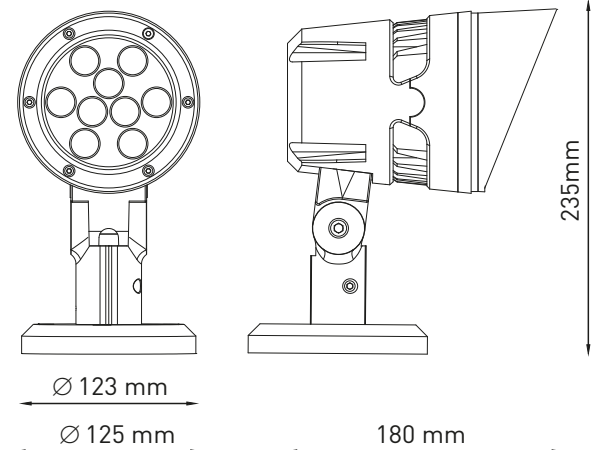
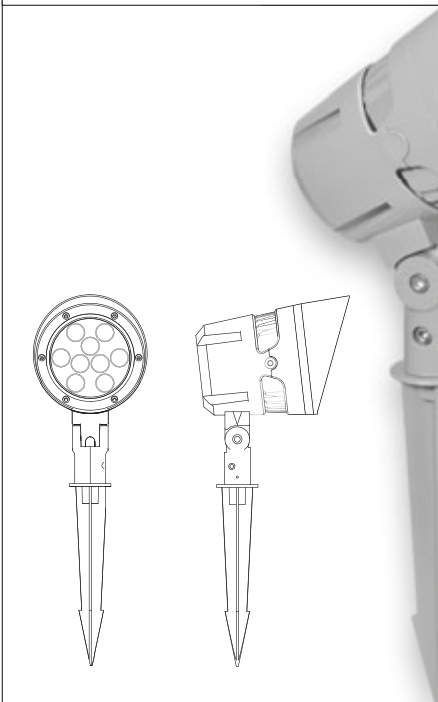
- Material: high corrosion resistance die-cast copper-free aluminum body
- Coating: polyester powder coating with phosphocromating pre-finish
- NR. 9 CREE "XP-E" LED
- Electronic transformer 220/240V 50/60Hz included
- Stainless steel screws
- Silicone rubber gasket
- Tempered safety glass.
- Anti-glare visor.
- 1 mt. neoprene power cable included






AC038 - TREE STRAP

**106004**

**HYDROSKY MEDIUM LED EARTH SPIKE**



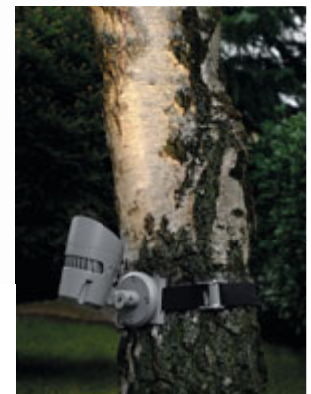
	LIGHT SOURCE	LED COLOR*	LIGHT BEAM OPTIONS	LUMEN OUTPUT (lm)	LUMINOUS EFFICACY (lm/w)	COLORS OPTIONS
11 WATT 220-240V 50-60HZ ELECTRONIC IP66 2.20 KG UNIT GROSS WEIGHT	HIGH-POWER LED	 3.000°K WARM-WHITE	 30°	1.000	90.91	 TEXTURED GREY

**106005 HYDROSKY MAXI LED**

Projector for outdoor installation on a façade/wall. Phospho-chromatised and polyester powder coated die-cast copper-free aluminium body, base and anti-glare visor, tempered safety glass, moulded silicone gasket and stainless steel screws. built-in LED driver 220-240V 50-60Hz, with 18 CREE XP-E LED. IP66 rating.

**Energy Label** A++

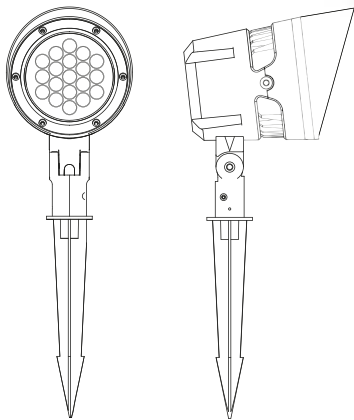
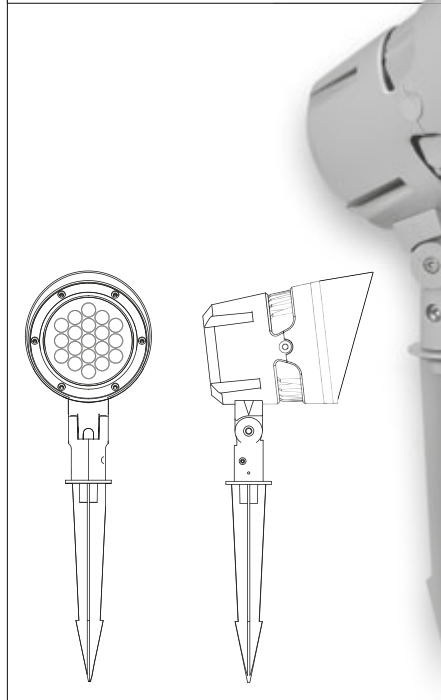
- Material: high corrosion resistance die-cast copper-free aluminum body
- Coating: polyester powder coating with phosphochromating pre-finish
- NR. 18 CREE "XP-E" LED
- Electronic transformer 220/240V 50/60Hz included
- Stainless steel screws
- Silicone rubber gasket
- Tempered safety glass.
- Anti-glare visor.
- 1 mt. neoprene power cable included



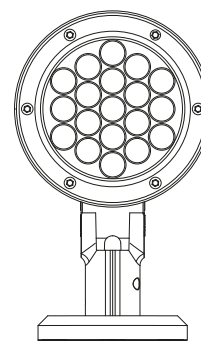
AC038 - TREE STRAP

**106006**

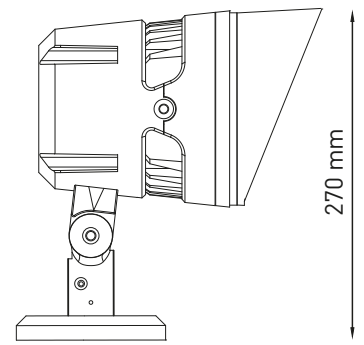
**HYDROSKY MAXI LED EARTH SPIKE**



AC-023  
FLANGE FOR POLE MOUNTING  
(POLE DIAMETER 120 MM)



Ø 123 mm



270 mm

Ø 165 mm

Ø 163 mm

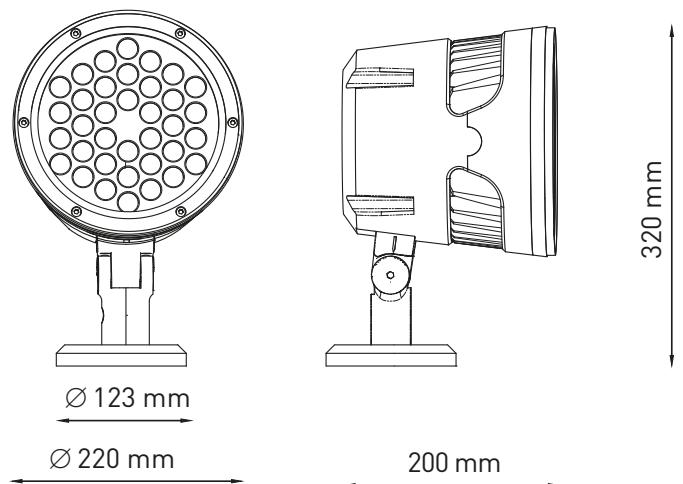
	LIGHT SOURCE	LED COLOR*	LIGHT BEAM OPTIONS	LUMEN OUTPUT (lm)	LUMINOUS EFFICACY (lm/w)	COLORS OPTIONS
21 WATT 220-240V 50-60HZ ELECTRONIC IP66 3.20 KG UNIT GROSS WEIGHT	HIGH-POWER LED	3.000°K WARM-WHITE	30°	2.400	114.28	TEXTURED GREY

**106007 HYDROSKY MEGA LED**




Projector for outdoor installation on a façade/wall. Phospho-chromatised and polyester powder coated die-cast copper-free aluminium body and base, tempered safety glass, moulded silicone gasket and stainless steel screws. built-in LED driver 220-240V 50-60Hz, with 36 CREE XP-E LED. IP66 rating.

**Energy Label** A++

- Material: high corrosion resistance die-cast copper-free aluminum body
- Coating: polyester powder coating with phosphochromating pre-finish
- NR. 36 CREE "XP-E" LED
- Electronic transformer 220/240V 50/60Hz included
- Stainless steel screws
- Silicone rubber gasket
- Tempered safety glass.
- Anti-glare visor.
- 1 mt. neoprene power cable included



AC-023  
FLANGE FOR POLE MOUNTING  
(POLE DIAMETER 120 MM)

	LIGHT SOURCE	LED COLOR*	LIGHT BEAM OPTIONS	LUMEN OUTPUT (lm)	LUMINOUS EFFICACY (lm/w)	COLORS OPTIONS
60 WATT 220-240V 50-60HZ ELECTRONIC IP66 5.20 KG UNIT GROSS WEIGHT	HIGH-POWER LED	 3.000°K WARM-WHITE	 30°	5.000	83.34	 TEXTURED GREY

**107002 HYDROJET MICRO LED**

Spike projector for outdoor installation through earth spike. Phospho-chromatised and polyester powder coated die-cast copper-free aluminium body, tempered safety glass, moulded silicone gasket and stainless steel screws. built-in LED driver 220-240V 50-60Hz, with 1 CREE XB-D LED. IP66 rating.

**Energy Label** A++

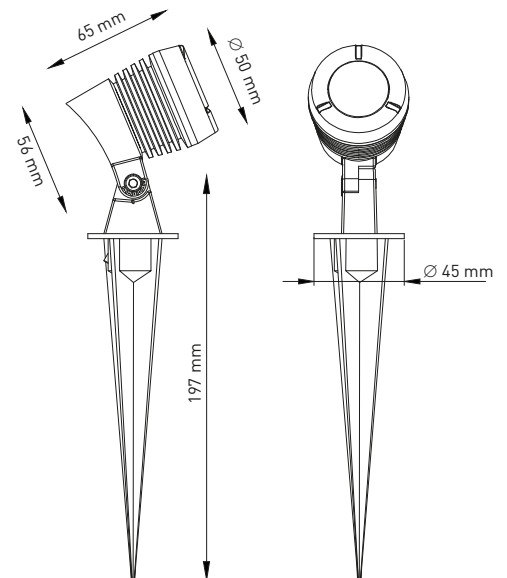
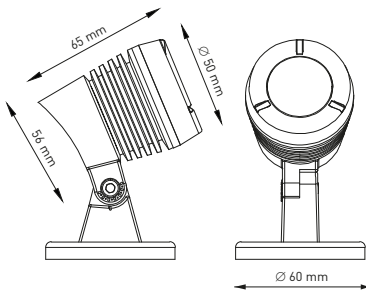
- Material: high corrosion resistance die-cast copper-free aluminum body
- Coating: polyester powder coating with phosphochromating pre-finish
- NR. 1 x 2W CREE "XB-D" LED
- Electronic transformer 220/240V 50/60Hz included
- Stainless steel screws
- Silicone rubber gasket
- Tempered safety glass.
- 1 mt. neoprene power cable included






AC038 - TREE STRAP

**107001**

**HYDROJET MICRO LED MOUNTING BASE**



2 WATT  
220-240V 50-60HZ ELECTRONIC  
IP66  
0,60 KG UNIT GROSS WEIGHT

LIGHT SOURCE	LED COLOR*	LIGHT BEAM OPTIONS	LUMEN OUTPUT (lm)	LUMINOUS EFFICACY (lm/w)	COLORS OPTIONS
HIGH-POWER LED	 3.000°K WARM-WHITE	 30°	139	69.50	 TEXTURED GREY



**107004 HYDROJET MINI LED**

Spike projector for outdoor installation through earth spike. Phospho-chromatised and polyester powder coated die-cast copper-free aluminium body, tempered safety glass, moulded silicone gasket and stainless steel screws. built-in LED driver 220-240V 50-60Hz, with 1 CREE CXA 1304 COB LED. IP66 rating.

**Energy Label** A++

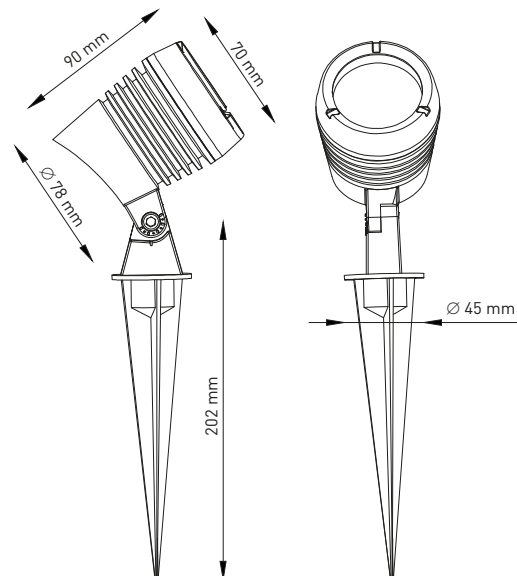
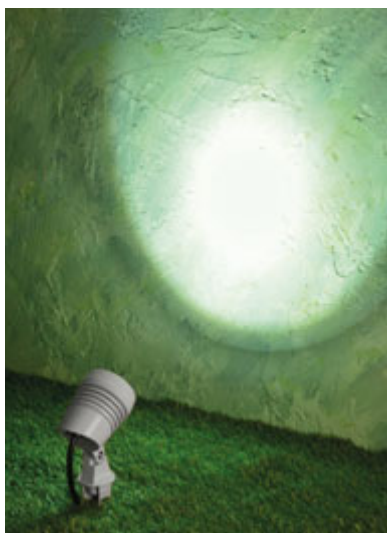
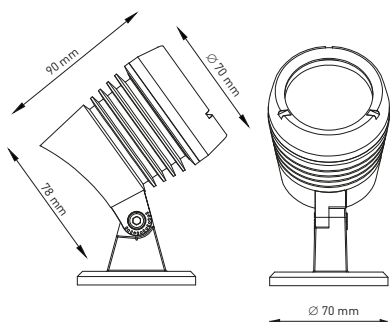
- Material: high corrosion resistance die-cast copper-free aluminum body
- Coating: polyester powder coating with phosphochromating pre-finish
- NR. 1 x 6W COB CREE "CXA 1304" LED
- Electronic transformer 220/240V 50/60Hz included
- Stainless steel screws
- Silicone rubber gasket
- Tempered safety glass.
- 1 mt. neoprene power cable included






AC038 - TREE STRAP

**107003**

**HYDROJET MINI LED MOUNTING BASE**



6 WATT  
220-240V 50-60HZ ELECTRONIC  
IP66  
0,70 KG UNIT GROSS WEIGHT

LIGHT SOURCE	LED COLOR*	LIGHT BEAM OPTIONS	LUMEN OUTPUT (lm)	LUMINOUS EFFICACY (lm/w)	COLORS OPTIONS
COB LED	 3.000°K WARM-WHITE	 30°	492	82.00	 TEXTURED GREY

**107006 HYDROJET MEDIUM LED**

Spike projector for outdoor installation through earth spike. Phospho-chromatised and polyester powder coated die-cast copper-free aluminium body, tempered safety glass, moulded silicone gasket and stainless steel screws. built-in LED driver 220-240V 50-60Hz, with 1 CREE CXA 1507 COB LED. IP66 rating.

**Energy Label** A++

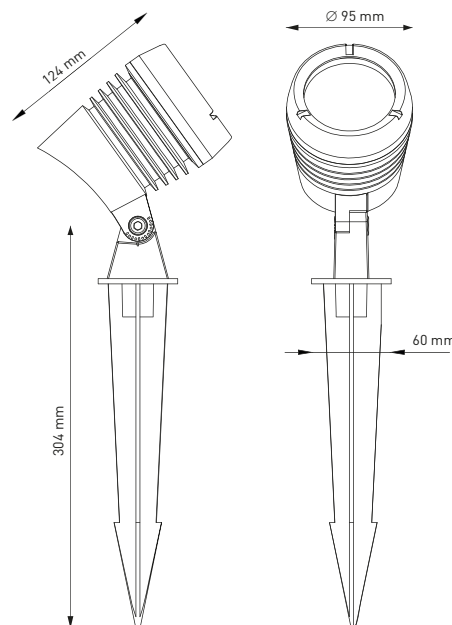
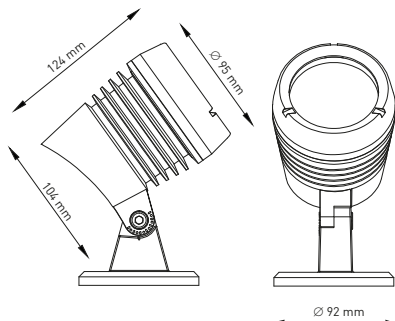
- Material: high corrosion resistance die-cast copper-free aluminum body
- Coating: polyester powder coating with phosphochromating pre-finish
- NR. 1 x 12W COB CREE "CXA 1507" LED
- Electronic transformer 220/240V 50/60Hz included
- Stainless steel screws
- Silicone rubber gasket
- Tempered safety glass.
- 1 mt. neoprene power cable included



AC038 - TREE STRAP

**107005**

**HYDROJET MEDIUM LED MOUNTING BASE**



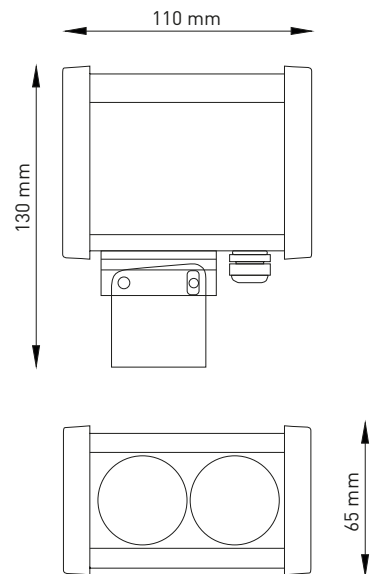
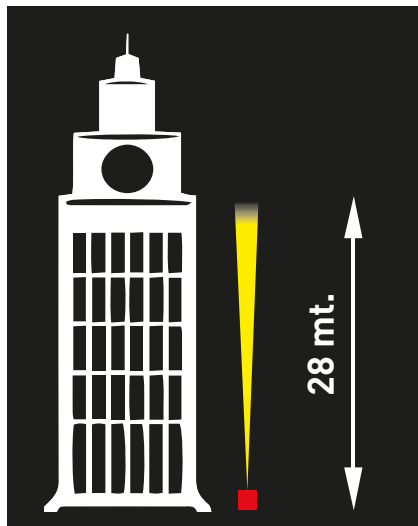
	LIGHT SOURCE	LED COLOR*	LIGHT BEAM OPTIONS	LUMEN OUTPUT (lm)	LUMINOUS EFFICACY (lm/w)	COLORS OPTIONS
12 WATT 220-240V 50-60HZ ELECTRONIC IP66 1,40 KG UNIT GROSS WEIGHT	COB LED	3.000°K WARM-WHITE	30°	898	74.90	TEXTURED GREY

**108001 HYDROLASER MICRO LED**

Skyscraper projector for outdoor installation to wall wash a building façade. Anodized extruded aluminium body, phosphochromatised and polyester powder coated die-cast copper-free aluminium closing caps, tempered safety glass, moulded silicone gasket and stainless steel screws. 24V DC remote driver needed, with 2 CREE LED. IP67 rating.

**Energy Label** A++

- Material: high corrosion resistance anodized extruded aluminum body, die-cast copper-free aluminum closing caps.
- Coating: polyester powder coating with phosphochromating pre-finish
- NR. 2 x 2W CREE LED
- 24V DC
- Stainless steel screws
- Silicone rubber gasket
- Tempered safety glass.
- 0.5 mt. neoprene power cable included



	LIGHT SOURCE	LED COLOR*	LIGHT BEAM OPTIONS	LUMEN OUTPUT (lm)	LUMINOUS EFFICACY (lm/w)	COLORS OPTIONS
6 WATT 24V DC REMOTE DRIVER NEEDED IP66 0,80 KG UNIT GROSS WEIGHT	HIGH-POWER LED	3.000°K WARM-WHITE	5°	400	66.67	SILVER

**REMOTE DRIVER SELECTION**

BRAND	MANUFACTURER CODE	TYPE	WATT	IP RATE	NUMBERS OF FIXTURES
MEANWELL	LPV-20-24	CONSTANT VOLTAGE 24V DC	20W	IP67	MIN 1 - MAX 3
MEANWELL	LPV-35-24	CONSTANT VOLTAGE 24V DC	35W	IP67	MIN 1 - MAX 5
MEANWELL	LPV-60-24	CONSTANT VOLTAGE 24V DC	60W	IP67	MIN 1 - MAX 9



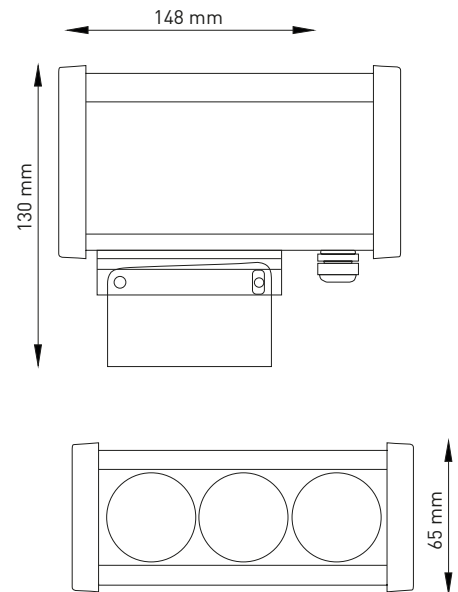
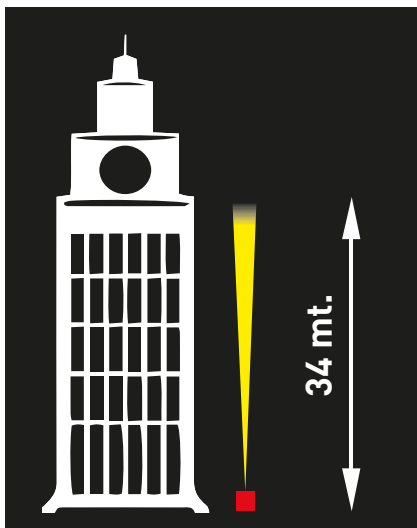


**108002 HYDROLASER MINI LED**

Skyscraper projector for outdoor installation to wall wash a building façade. Anodized extruded aluminium body, phosphochromatised and polyester powder coated die-cast copper-free aluminium closing caps, tempered safety glass, moulded silicone gasket and stainless steel screws. 24V DC remote driver needed, with 3 CREE LED. IP66 rating.

**Energy Label** A++

- Material: high corrosion resistance anodized extruded aluminum body, die-cast copper-free aluminum closing caps.
- Coating: polyester powder coating with phosphochromating pre-finish
- NR. 3 x 2W CREE LED
- 24V DC
- Stainless steel screws
- Silicone rubber gasket
- Tempered safety glass.
- 0.5 mt. neoprene power cable included



	LIGHT SOURCE	LED COLOR*	LIGHT BEAM OPTIONS	LUMEN OUTPUT (lm)	LUMINOUS EFFICACY (lm/w)	COLORS OPTIONS
10 WATT 24V DC REMOTE DRIVER NEEDED IP66 1,10 KG UNIT GROSS WEIGHT	HIGH-POWER LED	3.000°K WARM-WHITE	5°	600	60.00	SILVER

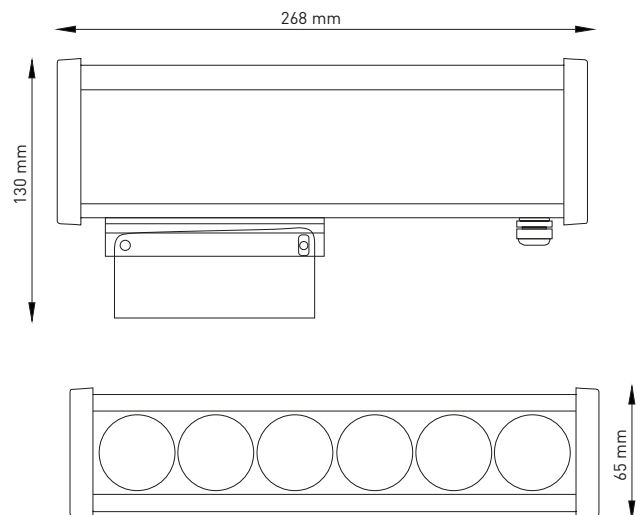
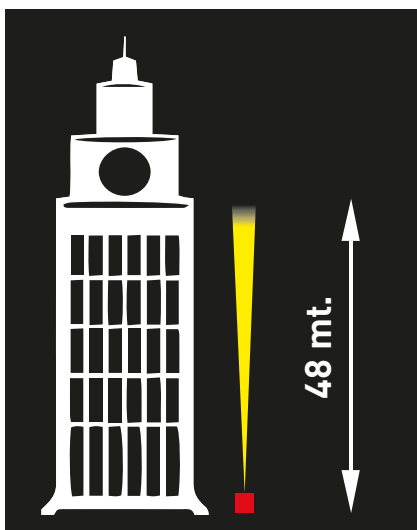
REMOTE DRIVER SELECTION						
BRAND	MANUFACTURER CODE	TYPE	WATT	IP RATE	NUMBERS OF FIXTURES	
MEANWELL	LPV-20-24	CONSTANT VOLTAGE 24V DC	20W	IP67	MIN 1 - MAX 2	
MEANWELL	LPV-35-24	CONSTANT VOLTAGE 24V DC	35W	IP67	MIN 1 - MAX 3	
MEANWELL	LPV-60-24	CONSTANT VOLTAGE 24V DC	60W	IP67	MIN 1 - MAX 5	

**108003 HYDROLASER MEDIUM LED**

Skyscraper projector for outdoor installation to wall wash a building façade. Anodized extruded aluminium body, phosphochromatised and polyester powder coated die-cast copper-free aluminium closing caps, tempered safety glass, moulded silicone gasket and stainless steel screws. built-in LED driver 220-240V 50-60Hz, with 6 CREE LED. IP66 rating.

**Energy Label** A++

- Material: high corrosion resistance anodized extruded aluminum body, die-cast copper-free aluminum closing caps.
- Coating: polyester powder coating with phosphochromating pre-finish
- NR. 6 x 2W CREE LED
- Electronic transformer 220/240V 50/60Hz included
- Stainless steel screws
- Silicone rubber gasket
- Tempered safety glass.
- 0.5 mt. neoprene power cable included



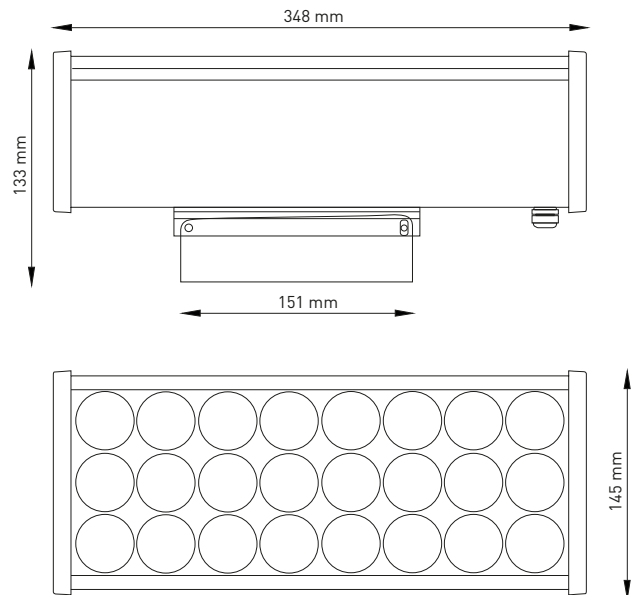
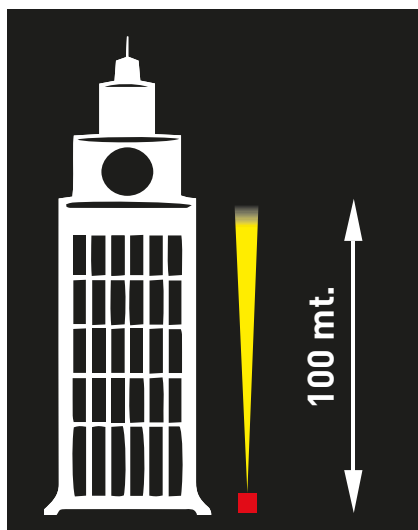
	LIGHT SOURCE	LED COLOR*	LIGHT BEAM OPTIONS	LUMEN OUTPUT (lm)	LUMINOUS EFFICACY (lm/w)	COLORS OPTIONS
18 WATT 220-240V 50-60HZ ELECTRONIC IP66 1,70 KG UNIT GROSS WEIGHT	HIGH-POWER LED	3.000°K WARM-WHITE	5°	1.200	66.67	SILVER

**108004 HYDROLASER MAXI LED**

Skyscraper projector for outdoor installation to wall wash a building façade. Anodized extruded aluminium body, phosphochromatised and polyester powder coated die-cast copper-free aluminium closing caps, tempered safety glass, moulded silicone gasket and stainless steel screws. built-in LED driver 220-240V 50-60Hz, with 24 CREE LED. IP66 rating.

**Energy Label** A++

- Material: high corrosion resistance anodized extruded aluminum body, die-cast copper-free aluminum closing caps.
- Coating: polyester powder coating with phosphochromating pre-finish
- NR. 24 x 2W CREE LED
- Electronic transformer 220/240V 50/60Hz included
- Stainless steel screws
- Silicone rubber gasket
- Tempered safety glass.
- 0.5 mt. neoprene power cable included



	LIGHT SOURCE	LED COLOR*	LIGHT BEAM OPTIONS	LUMEN OUTPUT (lm)	LUMINOUS EFFICACY (lm/w)	COLORS OPTIONS
55 WATT 220-240V 50-60HZ ELECTRONIC IP66 4,60 KG UNIT GROSS WEIGHT	HIGH-POWER LED	3.000°K WARM-WHITE	5°	4.800	87.27	SILVER





ALIMENTAÇÃO  
E CULTURA  
EDUCAR PARA  
INOVAR



# In Ground



201000 HYDROFLOOR

page. **72**



205000 HYDROFLOOR INVISA

page. **104**



202000 HYDROQUADRO

page. **110**



205000 HYDROFLOOR VETRO

page. **115**



203000 HYDROLINE

page. **118**



204000 HYDROLINE VETRO

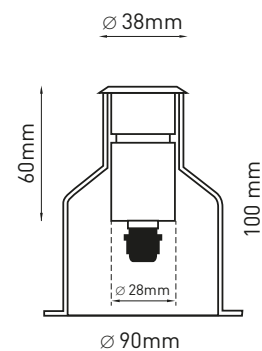
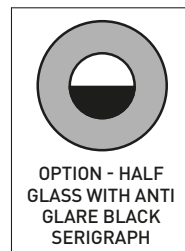
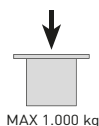
page. **126**

## 201001 HYDROFLOOR PICO LED

Round ground-recessed luminaire for outdoor installation, stainless steel AISI316 body and frame, tempered safety glass, moulded silicone gasket. With 1 CREE LED. 24V DC remote driver needed. IP67 rating.

### Energy Label **A++**

- Completely made in stainless steel AISI 316 body
- NR. 1 x 1W CREE "XP-G3" LED
- Silicone rubber gasket
- Tempered safety glass.
- Polypropilene recessing box included.
- 1 mt. neoprene power cable included



	LIGHT SOURCE	LED COLOR*	LIGHT BEAM OPTIONS	LUMEN OUTPUT (lm)	LUMINOUS EFFICACY (lm/w)	COLORS OPTIONS
1 WATT 24V DC REMOTE DRIVER NEEDED IP67 0.30 KG UNIT GROSS WEIGHT	HIGH-POWER LED	3.000°K WARM-WHITE	M 25°	96	96.00	STAINLESS STEEL

### REMOTE DRIVER SELECTION

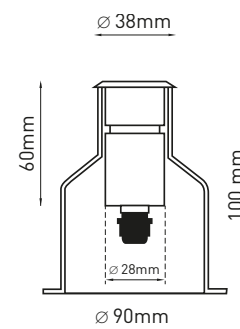
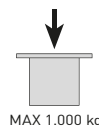
BRAND	MANUFACTURER CODE	TYPE	WATT	IP RATE	NUMBERS OF FIXTURES
MEANWELL	LPV-20-24	CONSTANT VOLTAGE 24V DC	20W	IP67	MIN 1 - MAX 9
MEANWELL	LPV-35-24	CONSTANT VOLTAGE 24V DC	35W	IP67	MIN 1 - MAX 14
MEANWELL	LPV-60-24	CONSTANT VOLTAGE 24V DC	60W	IP67	MIN 1 - MAX 25
MEANWELL	LPV-100-24	CONSTANT VOLTAGE 24V DC	100W	IP67	MIN 1 - MAX 42

## 201060 HYDROFLOOR PICO SOFT LED

Round ground-recessed luminaire for outdoor installation, stainless steel AISI316 body and frame, tempered frosted safety glass diffuser, moulded silicone gasket. With 6 x SMD LED. 24V DC remote driver needed. IP67 rating.

### Energy Label **A++**

- Material: stainless steel AISI 316
- NR. 6 x SMD LED
- Frosted glass
- 0.8W - 24V DC
- Silicone rubber gasket
- Tempered safety glass.
- 1 mt. neoprene power cable included



	LIGHT SOURCE	LED COLOR*	LIGHT BEAM OPTIONS	LUMEN OUTPUT (lm)	LUMINOUS EFFICACY (lm/w)	COLORS OPTIONS
0.8 WATT 24V DC REMOTE DRIVER NEEDED IP67 0.30 KG UNIT GROSS WEIGHT	SMD LED	3.000°K WARM-WHITE	75°	64	80.00	STAINLESS STEEL

### REMOTE DRIVER SELECTION

BRAND	MANUFACTURER CODE	TYPE	WATT	IP RATE	NUMBERS OF FIXTURES
MEANWELL	LPV-20-24	CONSTANT VOLTAGE 24V DC	20W	IP67	MIN 1 - MAX 4
MEANWELL	LPV-35-24	CONSTANT VOLTAGE 24V DC	35W	IP67	MIN 1 - MAX 6
MEANWELL	LPV-60-24	CONSTANT VOLTAGE 24V DC	60W	IP67	MIN 1 - MAX 12



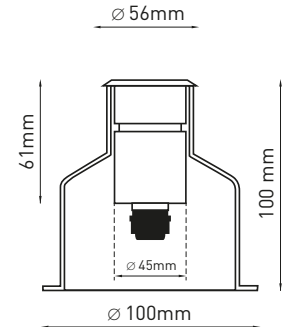


## 201002 HYDROFLOOR SMALL LED

Round ground-recessed luminaire for outdoor installation, stainless steel AISI316 body and frame, tempered safety glass, moulded silicone gasket. With 3 CREE LED. 24V DC remote driver needed. IP67 rating.

### Energy Label **A++**

- Completely made in stainless steel AISI 316 body
- NR. 3 x 1W CREE "XP-G3" LED
- Silicone rubber gasket
- Tempered safety glass.
- Polypropilene recessing box included.
- 1 mt. neoprene power cable included



	LIGHT SOURCE	LED COLOR*	LIGHT BEAM OPTIONS	LUMEN OUTPUT (lm)	LUMINOUS EFFICACY (lm/w)	COLORS OPTIONS
3 WATT 24V DC REMOTE DRIVER NEEDED IP67 0.60 KG UNIT GROSS WEIGHT	HIGH-POWER LED	3.000°K WARM-WHITE	M 25°	288	96.00	STAINLESS STEEL

### REMOTE DRIVER SELECTION

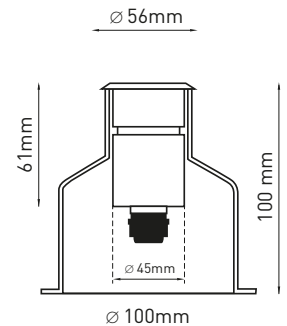
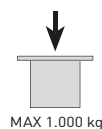
BRAND	MANUFACTURER CODE	TYPE	WATT	IP RATE	NUMBERS OF FIXTURES
MEANWELL	LPV-20-24	CONSTANT VOLTAGE 24V DC	20W	IP67	MIN 1 - MAX 4
MEANWELL	LPV-35-24	CONSTANT VOLTAGE 24V DC	35W	IP67	MIN 1 - MAX 5
MEANWELL	LPV-60-24	CONSTANT VOLTAGE 24V DC	60W	IP67	MIN 1 - MAX 9
MEANWELL	LPV-100-24	CONSTANT VOLTAGE 24V DC	100W	IP67	MIN 1 - MAX 15

## 201061 HYDROFLOOR SMALL SOFT LED

Round ground-recessed luminaire for outdoor installation, stainless steel AISI316 body and frame, tempered frosted safety glass diffuser, moulded silicone gasket. With 12 x SMD LED. Built-in LED driver 220-240V 50-60Hz. IP67 rating.

### Energy Label **A++**

- Material: stainless steel AISI 316
- NR. 12 x SMD LED
- Frosted glass
- 1.5W - 220-240V 50-60Hz
- Silicone rubber gasket
- Tempered safety glass.
- 1 mt. neoprene power cable included



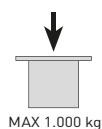
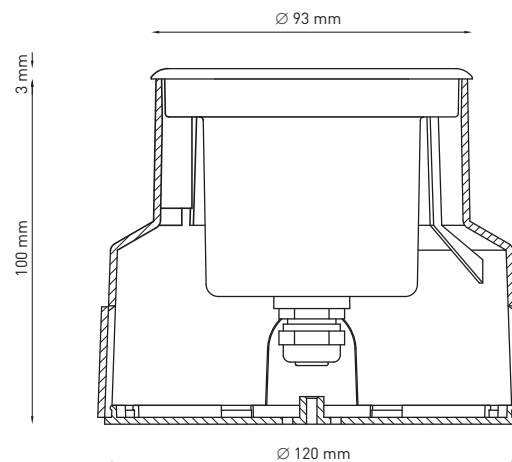
	LIGHT SOURCE	LED COLOR*	LIGHT BEAM OPTIONS	LUMEN OUTPUT (lm)	LUMINOUS EFFICACY (lm/w)	COLORS OPTIONS
1.5 WATT 220-240V 50-60HZ ELECTRONIC IP67 0.60 KG UNIT GROSS WEIGHT	SMD LED	3.000°K WARM-WHITE	80°	76	50.67	STAINLESS STEEL

**201003 HYDROFLOOR MICRO PERFORMANCE LED**

Round ground-recessed luminaire for outdoor installation, Phosphochromatised and polyester powder coated die-cast copper-free aluminium body and stainless steel AISI 304 frame, tempered safety glass, moulded silicone gasket. Built-in LED driver 220-240V 50-60Hz, with 1 CREE XP-G3 LED. IP67 rating.

**Energy Label** A++

- Material: high corrosion resistance die-cast copper-free aluminum body
- Coating: polyester powder coating with phosphochromating pre-finish
- Stainless steel AISI 304 ring.
- NR. 1 x 1W CREE "XP-G3" LED
- Electronic transformer 220/240V 50/60Hz included
- Stainless steel screws
- Silicone rubber gasket
- Tempered safety glass.
- Max static weight resistance 1.000 Kg
- Protection against impact IK09 (10 joule)
- Cable gland PG9
- Polypropilene recessing box included.
- 1 mt. neoprene power cable included



1 WATT  
220-240V 50-60HZ ELECTRONIC  
IP67  
0.70 KG UNIT GROSS WEIGHT

LIGHT SOURCE	LED COLOR*	LIGHT BEAM OPTIONS	LUMEN OUTPUT (lm)	LUMINOUS EFFICACY (lm/w)	COLORS OPTIONS
HIGH-POWER LED	3.000°K WARM-WHITE	M 10°	115	115.00	STAINLESS STEEL
		M 30°	110	110.00	
		M 45°	104	104.00	
	4.000°K NEUTRAL-WHITE	M 10°	120	120.00	
		M 30°	114	114.00	
		M 45°	109	109.00	

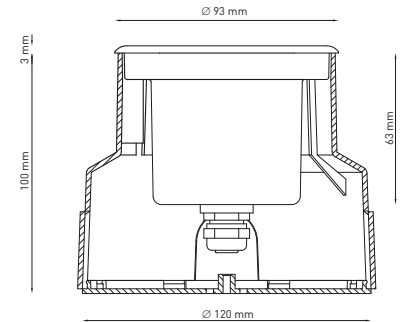
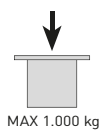
\* OTHER LIGHT COLORS AVAILABLE ON REQUEST: ● BLUE

**201005P HYDROFLOOR MICRO GU4**



Round ground-recessed luminaire for outdoor installation, Phospho-chromatised and polyester powder coated die-cast copper-free aluminium body and stainless steel AISI 304 frame, tempered safety glass, moulded silicone gasket. G4 20W LED / halogen. IP67 rating.

- Material: high corrosion resistance die-cast copper-free aluminum body
- Coating: polyester powder coating with phosphochromating pre-finish
- Stainless steel AISI 304 ring.
- GU4 base, MAX 20W
- Stainless steel screws
- Silicone rubber gasket
- Tempered safety glass.
- Max static weight resistance 1.000 Kg
- Protection against impact IK09 (10 joule)
- Cable gland PG9
- Polypropilene recessing box included.
- 1 mt. neoprene power cable included



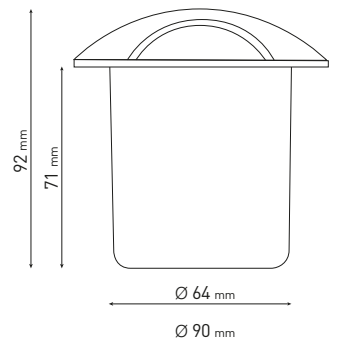
	LIGHT SOURCE	LIGHT COLOR	LIGHT BEAM OPTIONS	COLORS OPTIONS
20 WATT MAX 12V IP67 0.70 KG UNIT GROSS WEIGHT	 GU4 LED / HALOGEN	SEE BULB FEATURES	SEE BULB FEATURES	STAINLESS STEEL

**201065 HYDROFLOOR MICRO STEEL 01 LED**

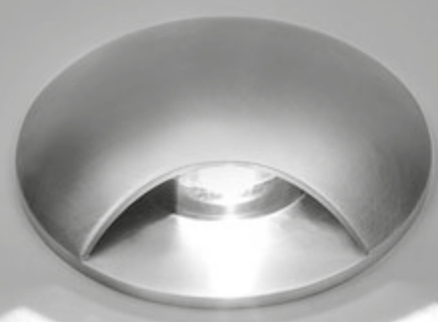
Round ground-recessed drive-over luminaire for outdoor installation, top cover with one way 1x90° light emission. Body and top cover completely realized in stainless steel AISI 304, tempered safety glass, moulded silicone gasket. Built-in LED driver 220-240V 50-60Hz, with 1 CREE XP-E2 LED. IP67 rating.

**Energy Label** A++

- Material: stainless steel AISI 304
- NR. 1 CREE "XP-E2" LED
- Electronic transformer 220/240V 50/60Hz included
- Silicone rubber gasket
- Tempered safety glass.
- Max static weight resistance 2000 Kg
- Polypropilene recessing box included.
- M12 cable gland
- 1 mt. neoprene power cable included



	LIGHT SOURCE	LED COLOR*	LIGHT BEAM OPTIONS	LUMEN OUTPUT (lm)	LUMINOUS EFFICACY (lm/w)	COLORS OPTIONS
3 WATT 220-240V 50-60HZ ELECTRONIC IP67 1,00 KG UNIT GROSS WEIGHT	HIGH-POWER LED	 3.000°K WARM-WHITE	 1X90°	150	50.00	STAINLESS STEEL

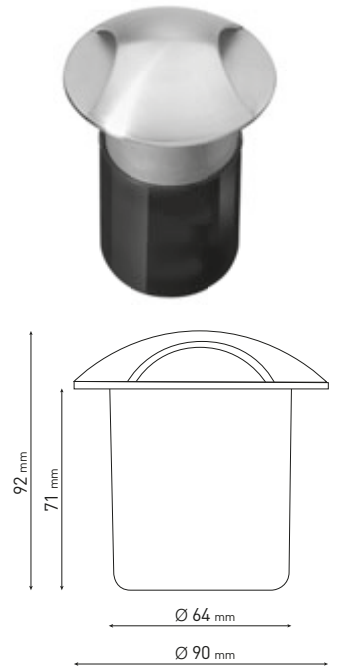


**201066 HYDROFLOOR MICRO STEEL 02 LED**

Round ground-recessed drive-over luminaire for outdoor installation, top cover with two ways 2x90° light emission. Body and top cover completely realized in stainless steel AISI 304, tempered safety glass, moulded silicone gasket. Built-in LED driver 220-240V 50-60Hz, with 2 CREE XP-E2 LED. IP67 rating.

**Energy Label** A++

- Material: stainless steel AISI 304
- NR. 2 CREE "XP-E2" LED
- Electronic transformer 220/240V 50/60Hz included
- Silicone rubber gasket
- Tempered safety glass.
- Max static weight resistance 2000 Kg
- Polypropilene recessing box included.
- M12 cable gland
- 1 mt. neoprene power cable included



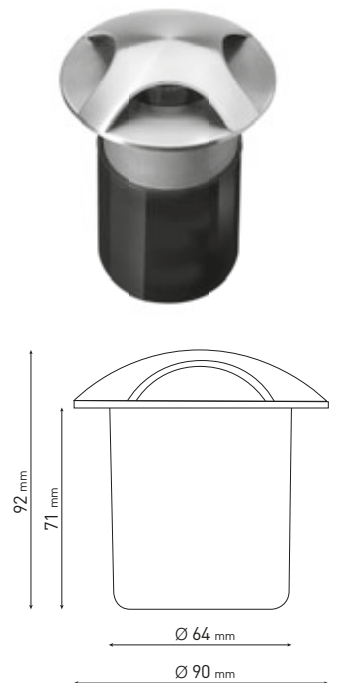
	LIGHT SOURCE	LED COLOR*	LIGHT BEAM OPTIONS	LUMEN OUTPUT (lm)	LUMINOUS EFFICACY (lm/w)	COLORS OPTIONS
5 WATT 220-240V 50-60HZ ELECTRONIC IP67 1,00 KG UNIT GROSS WEIGHT	HIGH-POWER LED	3.000°K WARM-WHITE	2X90°	250	50.00	STAINLESS STEEL

**201067 HYDROFLOOR MICRO STEEL 04 LED**

Round ground-recessed drive-over luminaire for outdoor installation, top cover with two ways 4x70° light emission. Body and top cover completely realized in stainless steel AISI 304, tempered safety glass, moulded silicone gasket. Built-in LED driver 220-240V 50-60Hz, with 4 CREE XP-E2 LED. IP67 rating.

**Energy Label** A++

- Material: stainless steel AISI 304
- NR. 4 CREE "XP-E2" LED
- Electronic transformer 220/240V 50/60Hz included
- Silicone rubber gasket
- Tempered safety glass.
- Max static weight resistance 2000 Kg
- Polypropilene recessing box included.
- M12 cable gland
- 1 mt. neoprene power cable included

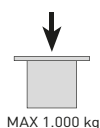
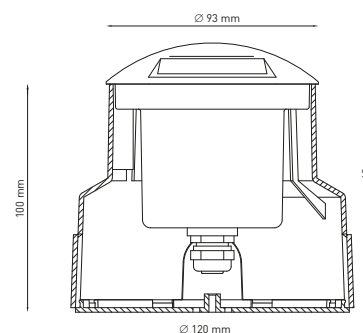



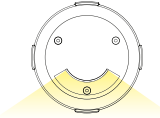

	LIGHT SOURCE	LED COLOR*	LIGHT BEAM OPTIONS	LUMEN OUTPUT (lm)	LUMINOUS EFFICACY (lm/w)	COLORS OPTIONS
6 WATT 220-240V 50-60HZ ELECTRONIC IP67 1,00 KG UNIT GROSS WEIGHT	HIGH-POWER LED	3.000°K WARM-WHITE	4X70°	400	66.67	STAINLESS STEEL

**201006P HYDROFLOOR MICRO 01 GU4**

Round ground-recessed luminaire for outdoor installation, Phospho-chromatised and polyester powder coated die-cast copper-free aluminium body and protective cover, tempered safety glass, moulded silicone gasket. G4 20W LED / halogen. IP67 rating

- Material: high corrosion resistance die-cast copper-free aluminum body
- Coating: polyester powder coating with phosphochromating pre-finish
- GU4 base, MAX 20W
- Stainless steel screws
- Silicone rubber gasket
- Tempered safety glass.
- Max static weight resistance 1.000 Kg
- Protection against impact IK09 (10 joule)
- Cable gland PG9
- Polypropilene recessing box included.
- 1 mt. neoprene power cable included

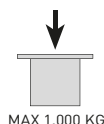
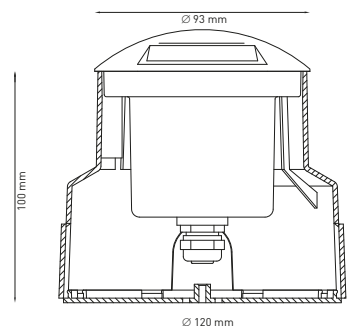



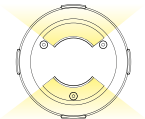

	LIGHT SOURCE	LIGHT COLOR	LIGHT BEAM OPTIONS	COLORS OPTIONS
20 WATT MAX 12V IP67 0.60 KG UNIT GROSS WEIGHT	 GU4 LED / HALOGEN	SEE BULB FEATURES		 TEXTURED-GREY

**201007P HYDROFLOOR MICRO 02 GU4**

Round ground-recessed luminaire for outdoor installation, Phospho-chromatised and polyester powder coated die-cast copper-free aluminium body and protective cover, tempered safety glass, moulded silicone gasket. G4 20W LED / halogen. IP67 rating

- Material: high corrosion resistance die-cast copper-free aluminum body
- Coating: polyester powder coating with phosphochromating pre-finish
- GU4 base, MAX 20W
- Stainless steel screws
- Silicone rubber gasket
- Tempered safety glass.
- Max static weight resistance 1.000 Kg
- Protection against impact IK09 (10 joule)
- Cable gland PG9
- Polypropilene recessing box included.
- 1 mt. neoprene power cable included

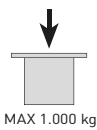
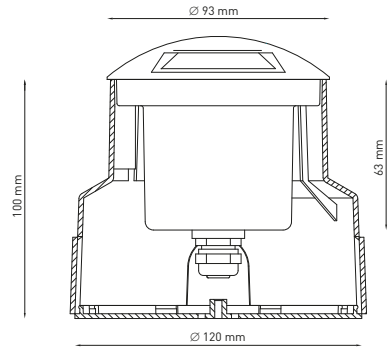


	LIGHT SOURCE	LIGHT COLOR	LIGHT BEAM OPTIONS	COLORS OPTIONS
20 WATT MAX 12V IP67 0.60 KG UNIT GROSS WEIGHT	 GU4 LED / HALOGEN	SEE BULB FEATURES		 TEXTURED-GREY

**201008P HYDROFLOOR MICRO 04 GU4**

Round ground-recessed luminaire for outdoor installation, Phospho-chromatised and polyester powder coated die-cast copper-free aluminium body and protective cover, tempered safety glass, moulded silicone gasket. G4 20W LED / halogen. IP67 rating

- Material: high corrosion resistance die-cast copper-free aluminum body
- Coating: polyester powder coating with phosphochromating pre-finish
- GU4 base, MAX 20W
- Stainless steel screws
- Silicone rubber gasket
- Tempered safety glass.
- Max static weight resistance 1.000 Kg
- Protection against impact IK09 (10 joule)
- Cable gland PG9
- Polypropilene recessing box included.
- 1 mt. neoprene power cable included



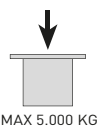
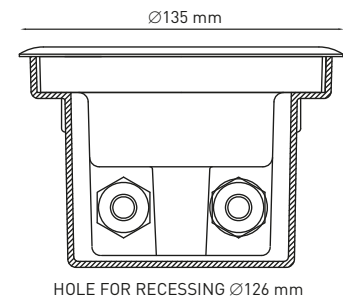
	LIGHT SOURCE	LIGHT COLOR	LIGHT BEAM OPTIONS	COLORS OPTIONS
20 WATT MAX 12V IP67 0.60 KG UNIT GROSS WEIGHT	 GU4 LED / HALOGEN	SEE BULB FEATURES		TEXTURED-GREY

**201010P HYDROFLOOR COMPACT ROUND GU10**



Round compact ground-recessed luminaire for outdoor installation, Phospho-chromatised and polyester powder coated die-cast copper-free aluminium body and stainless steel AISI 304 frame, tempered safety glass, moulded silicone gasket. GU10 LED / halogen. IP67 rating.

- Material: high corrosion resistance die-cast copper-free aluminum body
- Coating: polyester powder coating with phosphochromating pre-finish
- Stainless steel AISI 304 ring.
- GU10 base, MAX 35W
- Stainless steel screws
- Silicone rubber gasket
- Tempered safety glass.
- Fully frosted glass available on request.
- Max static weight resistance 5.000 Kg
- Protection against impact IK10 (20 joule)
- Double PG11 cable gland.
- Polypropilene recessing box included.
- 1 mt. neoprene power cable included



	LIGHT SOURCE	LIGHT COLOR	LIGHT BEAM OPTIONS	COLORS OPTIONS
35 WATT MAX 220-240V 50-60HZ IP67 1.30 KG UNIT GROSS WEIGHT	 GU10 LED / HALOGEN	SEE BULB FEATURES	SEE BULB FEATURES	STAINLESS STEEL



**201012 HYDROFLOOR MINI PERFORMANCE LED**

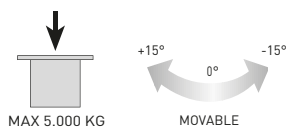
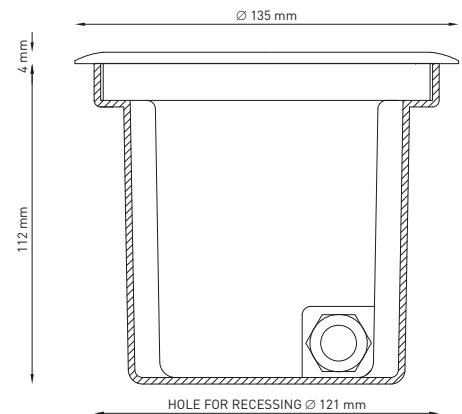
Round ground-recessed luminaire for outdoor installation, Phosphochromatised and polyester powder coated die-cast copper-free aluminium body and stainless steel AISI 304 frame, tempered safety glass, moulded silicone gasket. Built-in LED driver 220-240V 50-60Hz, with 3 CREE XP-G3 LED. IP67 rating.

**Energy Label** A++

- Material: high corrosion resistance die-cast copper-free aluminum body
- Coating: polyester powder coating with phosphochromating pre-finish
- Stainless steel AISI 304 ring.
- NR. 3 x 1W CREE "XP-G3" LED
- Electronic transformer 220/240V 50/60Hz included
- Stainless steel screws
- Silicone rubber gasket
- Tempered safety glass.
- Max static weight resistance 5.000 Kg
- Protection against impact IK10 (20 joule)
- M20 cable gland.
- Adjustable +/- 15 degrees.
- Polypropilene recessing box included.
- 3 mt. neoprene power cable included



BELLAGIO VILLAGE, OLIVETO LARIO, ITALY



3 WATT  
220-240V 50-60HZ ELECTRONIC  
IP67  
1.25 KG UNIT GROSS WEIGHT

LIGHT SOURCE	LED COLOR*	LIGHT BEAM OPTIONS	LUMEN OUTPUT (lm)	LUMINOUS EFFICACY (lm/w)	COLORS OPTIONS
HIGH-POWER LED	3.000°K WARM-WHITE	M 10°	346	115.33	STAINLESS STEEL
		M 30°	329	109.66	
		M 45°	312	104.00	
	4.000°K NEUTRAL-WHITE	M 10°	360	120.00	
		M 30°	342	114.00	
		M 45°	325	108.33	

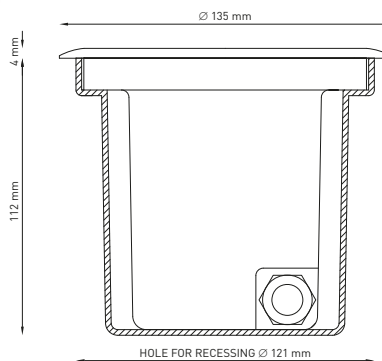
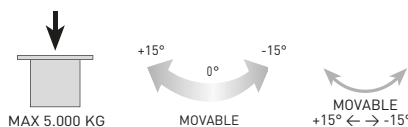
\* OTHER LIGHT COLORS AVAILABLE ON REQUEST: ● BLUE

**201014P HYDROFLOOR MINI ROUND GU5.3**



Round ground-recessed luminaire for outdoor installation, Phospho-chromatised and polyester powder coated die-cast copper-free aluminium body and stainless steel AISI 304 frame, tempered safety glass, moulded silicone gasket. GU5.3 LED / halogen. IP67 rating.

- Material: high corrosion resistance die-cast copper-free aluminum body
- Coating: polyester powder coating with phosphochromating pre-finish
- Stainless steel AISI 304 ring.
- GU5.3 base, MAX 35W
- Stainless steel screws
- Silicone rubber gasket
- Tempered safety glass.
- Fully frosted glass available on request.
- Max static weight resistance 5.000 Kg
- Protection against impact IK10 (20 joule)
- Adjustable +/- 15 degrees.
- M20 cable gland.
- Polypropilene recessing box included.



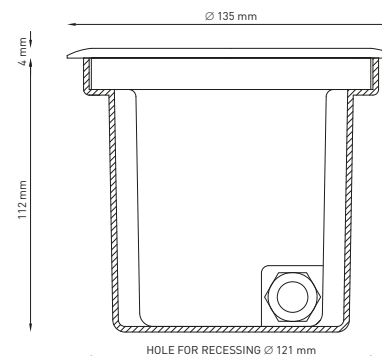
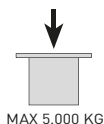
	LIGHT SOURCE	LIGHT COLOR	LIGHT BEAM OPTIONS	COLORS OPTIONS
35 WATT MAX 12V IP67 1.20 KG UNIT GROSS WEIGHT	 GU5.3 LED / HALOGEN	SEE BULB FEATURES	SEE BULB FEATURES	 STAINLESS STEEL

**201017P HYDROFLOOR MINI ROUND GU10**



Round ground-recessed luminaire for outdoor installation, Phospho-chromatised and polyester powder coated die-cast copper-free aluminium body and stainless steel AISI 304 frame, tempered safety glass, moulded silicone gasket. GU10 LED / halogen. IP67 rating.

- Material: high corrosion resistance die-cast copper-free aluminum body
- Coating: polyester powder coating with phosphochromating pre-finish
- Stainless steel AISI 304 ring.
- GU10 base, MAX 35W
- Stainless steel screws
- Silicone rubber gasket
- Tempered safety glass.
- Fully frosted glass available on request.
- Max static weight resistance 5.000 Kg
- Protection against impact IK10 (20 joule)
- M20 cable gland.
- Polypropilene recessing box included.

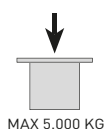
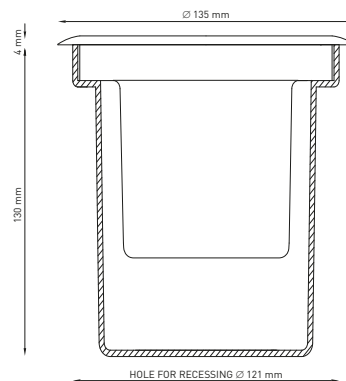


	LIGHT SOURCE	LIGHT COLOR	LIGHT BEAM OPTIONS	COLORS OPTIONS
35 WATT MAX 220-230V 50-60HZ IP67 1.20 KG UNIT GROSS WEIGHT	 GU10 LED / HALOGEN	SEE BULB FEATURES	SEE BULB FEATURES	 STAINLESS STEEL

**201019P HYDROFLOOR MINI STEEL AISI 316 ROUND GU10**

Round ground-recessed luminaire for outdoor installation, Stainless steel AISI 316 body and frame, tempered safety glass, moulded silicone gasket. GU10 LED / halogen. IP67 rating.

- Material: completely made in Stainless Steel AISI 316
- Stainless steel AISI 316 ring.
- GU10 base, MAX 35W
- Stainless steel screws
- Silicone rubber gasket
- Tempered safety glass.
- Fully frosted glass available on request.
- Max static weight resistance 5.000 Kg
- Protection against impact IK10 (20 joule)
- M20 cable gland.
- Polypropilene recessing box included.

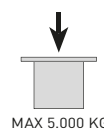
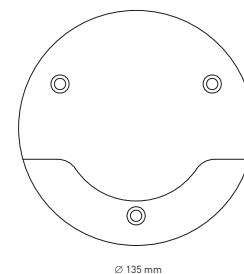
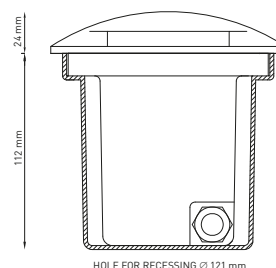


	LIGHT SOURCE	LIGHT COLOR	LIGHT BEAM OPTIONS	COLORS OPTIONS
35 WATT MAX 220-230V 50-60HZ IP67 1.20 KG UNIT GROSS WEIGHT	 GU10 LED / HALOGEN	SEE BULB FEATURES	SEE BULB FEATURES	 STAINLESS STEEL

**201022P HYDROFLOOR MINI 01 GU10**

Round ground-recessed luminaire for outdoor installation, Phospho-chromatised and polyester powder coated die-cast copper-free aluminium body and protective cover, tempered safety glass, moulded silicone gasket. GU10 LED / halogen. IP67 rating.

- Material: high corrosion resistance die-cast copper-free aluminum body
- Coating: polyester powder coating with phosphochromating pre-finish
- GU10 base, MAX 35W
- Stainless steel screws
- Silicone rubber gasket
- Tempered safety glass.
- Max static weight resistance 5.000 Kg
- Protection against impact IK09 (10 joule)
- M20 cable gland.
- Polypropilene recessing box included.
- Available also in GU5.3 12V version.

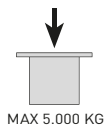
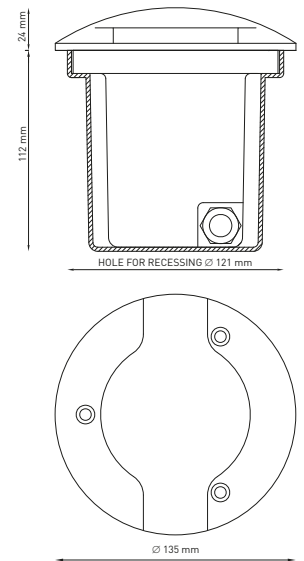



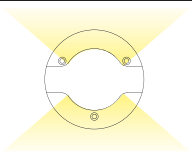

	LIGHT SOURCE	LIGHT COLOR	LIGHT BEAM OPTIONS	COLORS OPTIONS
35 WATT MAX 220-240V 50-60HZ IP67 1.20 KG UNIT GROSS WEIGHT	 GU10 LED / HALOGEN	SEE BULB FEATURES		 TEXTURED-GREY

**201023P HYDROFLOOR MINI 02 GU10**

Round ground-recessed luminaire for outdoor installation, Phospho-chromatised and polyester powder coated die-cast copper-free aluminium body and protective cover, tempered safety glass, moulded silicone gasket. GU10 LED / halogen. IP67 rating.

- Material: high corrosion resistance die-cast copper-free aluminum body
- Coating: polyester powder coating with phosphochromating pre-finish
- GU10 base, MAX 35W
- Stainless steel screws
- Silicone rubber gasket
- Tempered safety glass.
- Max static weight resistance 5.000 Kg
- Protection against impact IK09 (10 joule)
- M20 cable gland.
- Polypropilene recessing box included.
- Available also in GU5.3 12V version.



	LIGHT SOURCE	LIGHT COLOR	LIGHT BEAM OPTIONS	COLORS OPTIONS
35 WATT MAX 220-240V 50-60HZ IP67 1.20 KG UNIT GROSS WEIGHT	 GU10 LED / HALOGEN	SEE BULB FEATURES		 TEXTURED-GREY



**201024 HYDROFLOOR MEDIUM PERFORMANCE LED**

Round ground-recessed luminaire for outdoor installation, Phosphochromatised and polyester powder coated die-cast copper-free aluminium body and stainless steel AISI 304 frame, tempered safety glass, moulded silicone gasket. Built-in LED driver 220-240V 50-60Hz, with 5 CREE XP-G3 LED. IP67 rating.

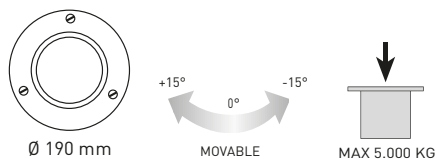
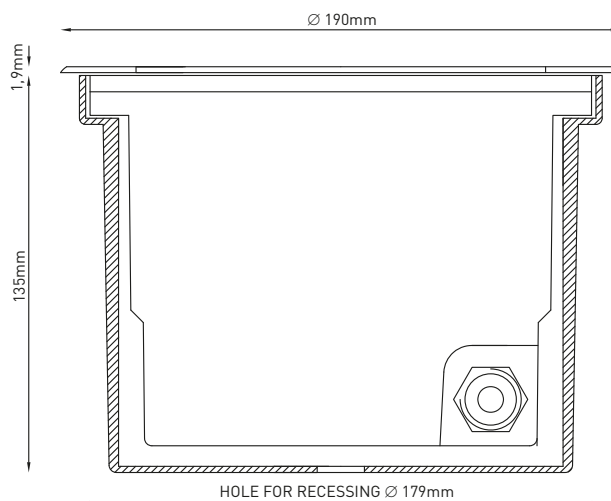
**Energy Label A++**

- Material: high corrosion resistance die-cast copper-free aluminum body
- Coating: polyester powder coating with phosphochromating pre-finish
- Stainless steel AISI 304 ring.
- NR. 5 x 1.5W CREE "XP-G3" LED
- Electronic transformer 220/240V 50/60Hz included
- Stainless steel screws
- Silicone rubber gasket
- Tempered safety glass.
- Max static weight resistance 5.000 Kg
- Protection against impact IK10 (20 joule)
- M20 cable gland.
- Adjustable +/- 15 degrees.
- Polypropilene recessing box included.
- 1 mt. neoprene power cable included



**1...10 V DALI**  
1-10 V DIMMABLE / DALI VERSION  
AVAILABLE ON REQUEST

**FULL RGB**  
AVAILABLE ON REQUEST



8 WATT  
220-240V 50-60HZ ELECTRONIC  
IP67  
2.20 KG UNIT GROSS WEIGHT

LIGHT SOURCE	LED COLOR*	LIGHT BEAM OPTIONS	LUMEN OUTPUT (lm)	LUMINOUS EFFICACY (lm/w)	COLORS OPTIONS
HIGH-POWER LED	3.000°K WARM-WHITE	M 10°	720	90.00	STAINLESS STEEL
		M 30°	684	85.50	
		M 45°	650	81.25	
	4.000°K NEUTRAL-WHITE	M 10°	750	93.75	
		M 30°	713	89.13	
		M 45°	677	84.63	

\* OTHER LIGHT COLORS AVAILABLE ON REQUEST: ● BLUE

**201058 HYDROFLOOR MEDIUM COMPACT PERFORMANCE LED**

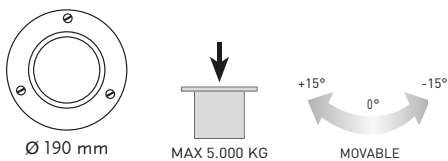
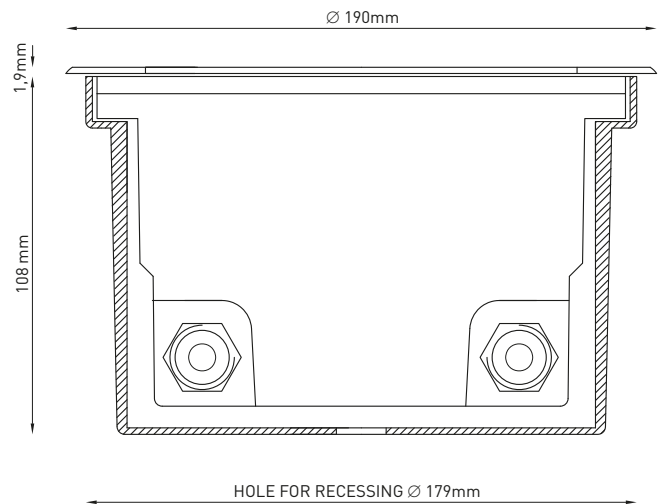
Round compact ground-recessed luminaire for outdoor installation, Phospho-chromatised and polyester powder coated die-cast copper-free aluminium body and stainless steel AISI 304 frame, tempered safety glass, moulded silicone gasket. Built-in LED driver 220-240V 50-60Hz, with 5 CREE XP-G3 LED. IP67 rating.

**Energy Label** A++

- Material: high corrosion resistance die-cast copper-free aluminum body
- Coating: polyester powder coating with phosphochromating pre-finish
- Stainless steel AISI 304 ring.
- NR. 5 x 1.5W CREE "XP-G3" LED
- Electronic transformer 220/240V 50/60Hz included
- Stainless steel screws
- Silicone rubber gasket
- Tempered safety glass.
- Max static weight resistance 5.000 Kg
- Protection against impact IK10 (20 joule)
- Double PG11 cable gland.
- Adjustable +/- 15 degrees.
- Polypropilene recessing box included.
- 1 mt. neoprene power cable included



**FullRGB**  
AVAILABLE ON REQUEST



8 WATT  
220-240V 50-60HZ ELECTRONIC  
IP67  
2.20 KG UNIT GROSS WEIGHT

LIGHT SOURCE	LED COLOR*	LIGHT BEAM OPTIONS	LUMEN OUTPUT (lm)	LUMINOUS EFFICACY (lm/w)	COLORS OPTIONS
HIGH-POWER LED	3.000°K WARM-WHITE	M 10°	720	90.00	STAINLESS STEEL
		M 30°	684	85.50	
		M 45°	650	81.25	
	4.000°K NEUTRAL-WHITE	M 10°	750	93.75	
		M 30°	713	89.13	
		M 45°	677	84.63	

\* OTHER LIGHT COLORS AVAILABLE ON REQUEST: ● BLUE



**201064 HYDROFLOOR MEDIUM STEEL AISI 316 PERFORMANCE LED**

Round ground-recessed luminaire for outdoor installation, stainless steel AISI 316 body and frame, tempered safety glass, moulded silicone gasket. Built-in LED driver 220-240V 50-60Hz, with 5 CREE XP-G3 LED. IP67 rating.

**Energy Label** A++

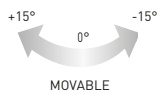
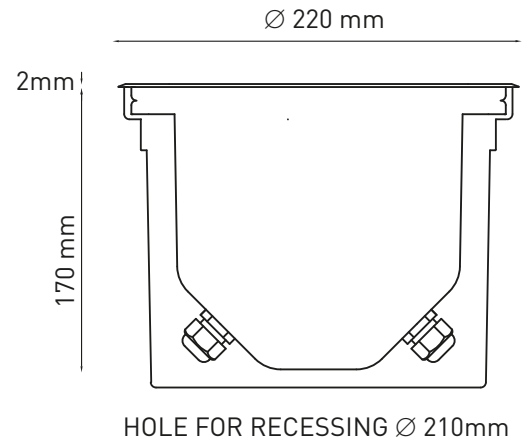
- Material: completely made in stainless steel AISI 316
- NR. 5 x 1.5W CREE "XP-G3" LED
- Electronic transformer 220/240V 50/60Hz included
- Stainless steel trim AISI 316
- Stainless steel screws
- Silicone rubber gasket
- Tempered safety glass.
- Max static weight resistance 5000 Kg
- Protection against impact IK10 (20 joule)
- Double M20 cable gland
- Adjustable +/- 15 degrees.
- Polypropilene housing for recess included
- 1 mt. neoprene power cable included



**COMPLETELY MADE OF STAINLESS STEEL AISI 316 GRADE**

**1...10 V** **DALI**  
1-10 V DIMMABLE / DALI VERSION  
AVAILABLE ON REQUEST

**FullRGB**  
AVAILABLE ON REQUEST



8 WATT  
220-240V 50-60HZ ELECTRONIC  
IP67  
2,50 KG UNIT GROSS WEIGHT

LIGHT SOURCE	LED COLOR*	LIGHT BEAM OPTIONS	LUMEN OUTPUT (lm)	LUMINOUS EFFICACY (lm/w)	COLORS OPTIONS
HIGH-POWER LED	3.000°K WARM-WHITE	<b>M</b> 10°	720	90.00	STAINLESS STEEL
		<b>M</b> 30°	684	85.50	
		<b>M</b> 45°	650	81.25	
	4.000°K NEUTRAL-WHITE	<b>M</b> 10°	750	93.75	
		<b>M</b> 30°	713	89.13	
		<b>M</b> 45°	677	84.63	

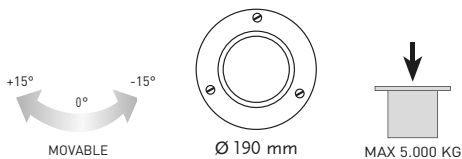
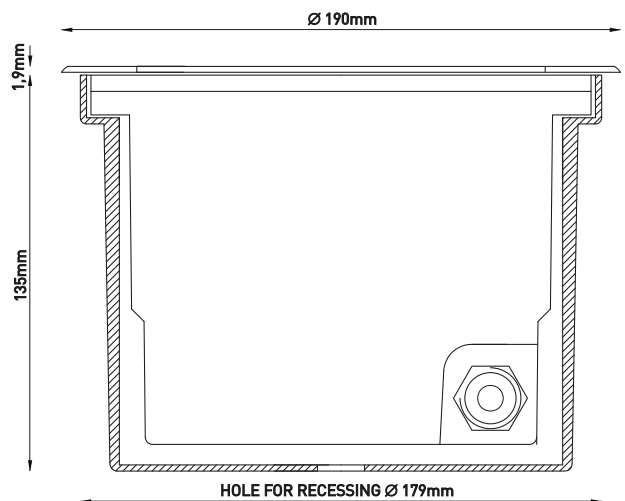


**201026M HYDROFLOOR MEDIUM AR-111 ROUND G53**



Round ground-recessed luminaire for outdoor installation, Phosphochromatised and polyester powder coated die-cast copper-free aluminium body and stainless steel AISI 304 frame, tempered safety glass, moulded silicone gasket. Built in transformer 230V 50Hz, G53 AR-111 LED / halogen. IP67 rating.

- Material: high corrosion resistance die-cast copper-free aluminum body
- Coating: polyester powder coating with phosphochromating pre-finish
- Stainless steel AISI 304 ring.
- G53 base, MAX 50W
- Built-in toroidal transformer 230V 50Hz.
- Stainless steel screws
- Silicone rubber gasket
- Tempered safety glass.
- Fully frosted glass available on request.
- Max static weight resistance 5.000 Kg
- Protection against impact IK10 (20 joule)
- Adjustable +/- 15 degrees.
- M20 cable gland.
- Polypropilene recessing box included.



	LIGHT SOURCE	LIGHT COLOR	LIGHT BEAM OPTIONS	COLORS OPTIONS
50 WATT MAX 220-230V 50-60HZ IP67 2.50 KG UNIT GROSS WEIGHT	 G53 LED / HALOGEN	SEE BULB FEATURES	SEE BULB FEATURES	STAINLESS STEEL

**201034 HYDROFLOOR MAXI PERFORMANCE LED**

Round ground-recessed luminaire for outdoor installation, Phosphochromatised and polyester powder coated die-cast copper-free aluminium body and stainless steel AISI 304 frame, tempered safety glass, moulded silicone gasket. Built-in LED driver 220-240V 50-60Hz, with 8 CREE XP-G3 LED. IP67 rating.

**Energy Label A++**

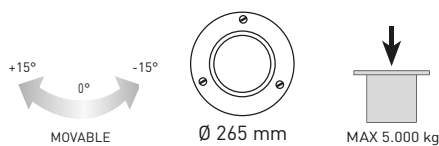
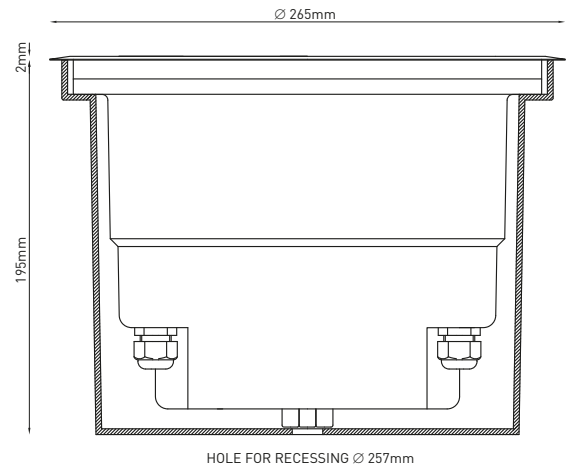
- Material: high corrosion resistance die-cast copper-free aluminum body
- Coating: polyester powder coating with phosphochromating pre-finish
- NR. 8 x 1.5W CREE "XP-G3" LED
- Electronic transformer 220/240V 50/60Hz included
- Stainless steel trim AISI 304
- Stainless steel screws
- Silicone rubber gasket
- Tempered safety glass.
- Max static weight resistance 5000 Kg
- Protection against impact IK10 (20 joule)
- Double M20 cable gland
- Adjustable +/- 15 degrees.
- Polypropilene housing for recess included
- 1 mt. neoprene power cable included



1-10 V DIMMABLE / DALI VERSION  
AVAILABLE ON REQUEST



AVAILABLE ON REQUEST



12 WATT  
220-240V 50-60HZ ELECTRONIC  
IP67  
5.00 KG UNIT GROSS WEIGHT

LIGHT SOURCE	LED COLOR*	LIGHT BEAM OPTIONS	LUMEN OUTPUT (lm)	LUMINOUS EFFICACY (lm/w)	COLORS OPTIONS
HIGH-POWER LED	3.000°K WARM-WHITE	M 10°	1.152	96.00	STAINLESS STEEL
		M 30°	1.095	91.25	
		M 45°	1.040	86.67	
	4.000°K NEUTRAL-WHITE	M 10°	1.200	100.00	
		M 30°	1.140	95.00	
		M 45°	1.083	90.25	

\* OTHER LIGHT COLORS AVAILABLE ON REQUEST: ● BLUE

**201063 HYDROFLOOR MAXI SHALLOW PERFORMANCE LED**

Round compact ground-recessed luminaire for outdoor installation, Phospho-chromatised and polyester powder coated die-cast copper-free aluminium body and stainless steel AISI 304 frame, tempered safety glass, moulded silicone gasket. Built-in LED driver 220-240V 50-60Hz, with 8 CREE XP-G3 LED. IP67 rating.

**Energy Label** A++

- Material: high corrosion resistance die-cast copper-free aluminum body
- Coating: polyester powder coating with phosphochromating pre-finish
- NR. 8 x 1.5W CREE "XP-G3" LED
- Electronic transformer 220/240V 50/60Hz included
- Stainless steel trim AISI 304
- Stainless steel screws
- Silicone rubber gasket
- Tempered safety glass.
- Max static weight resistance 5000 Kg
- Protection against impact IK09 (10 joule)
- Double M20 cable gland
- Polypropilene housing for recess included
- 1 mt. neoprene power cable included



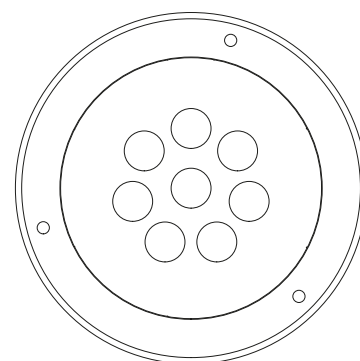
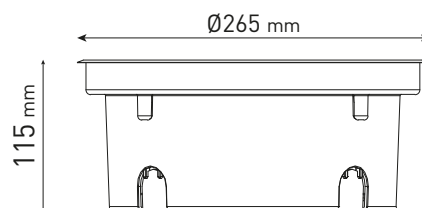
**REDUCED RECESSED DEPTH ONLY 115 mm**



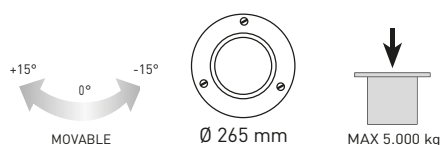
1-10 V DIMMABLE / DALI VERSION  
AVAILABLE ON REQUEST



AVAILABLE ON REQUEST



HOLE FOR RECESSING Ø 257mm



12 WATT  
220-240V 50-60HZ ELECTRONIC  
IP67  
4,50 KG UNIT GROSS WEIGHT

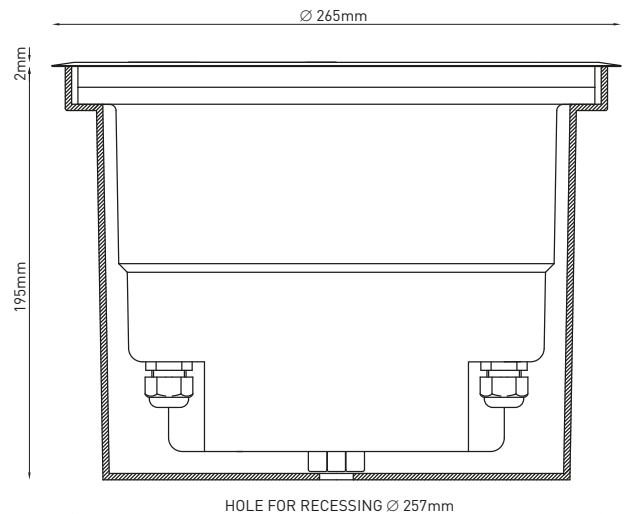
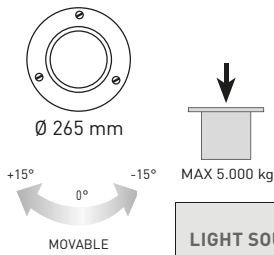
LIGHT SOURCE	LED COLOR*	LIGHT BEAM OPTIONS	LUMEN OUTPUT (lm)	LUMINOUS EFFICACY (lm/w)	COLORS OPTIONS
HIGH-POWER LED	3.000°K WARM-WHITE	M 10°	1.152	96.00	STAINLESS STEEL
		M 30°	1.095	91.25	
		M 45°	1.040	86.67	
	4.000°K NEUTRAL-WHITE	M 10°	1.200	100.00	
		M 30°	1.140	95.00	
		M 45°	1.083	90.25	

**201039 HYDROFLOOR MAXI ROUND G12**



Round ground-recessed luminaire for outdoor installation, Phosphochromatised and polyester powder coated die-cast copper-free aluminium body and stainless steel AISI 304 frame, tempered safety glass, moulded silicone gasket. Built-in ballast 230V 50Hz, G12 35W or 70W metal halide. IP67 rating.

- Material: high corrosion resistance die-cast copper-free aluminum body
- Coating: polyester powder coating with phosphochromating pre-finish
- HIT CRI 35W or HIT CRI 70W
- Built-in conventional ballast 230V 50Hz
- Stainless steel trim AISI 304
- Stainless steel screws
- Silicone rubber gasket
- Tempered safety glass.
- Max static weight resistance 5000 Kg
- Protection against impact IK10 (20 joule)
- Double M20 cable gland
- Adjustable +/- 15 degrees.
- Polypropilene housing for recess included



	LIGHT SOURCE	LIGHT COLOR	LIGHT BEAM OPTIONS	COLORS OPTIONS
35 WATT   70 WATT 230V 50HZ IP67 6.00 KG UNIT GROSS WEIGHT	 HIT-CRI - BASE G12	SEE BULB FEATURES	4° SUPER-NARROW (ON REQUEST)	STAINLESS STEEL
			10° NARROW	
			23° FLOOD (ON REQUEST)	

**201059 HYDROFLOOR MAXI STEEL AISI 316 PERFORMANCE LED**

Round compact ground-recessed luminaire for outdoor installation, stainless steel AISI 316 body and frame, tempered safety glass, moulded silicone gasket. Built-in LED driver 220-240V 50-60Hz, with 8 CREE XP-G3 LED. IP67 rating.

**Energy Label** A++

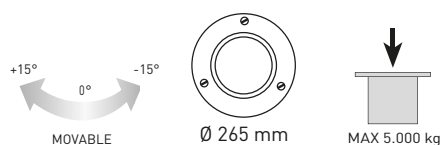
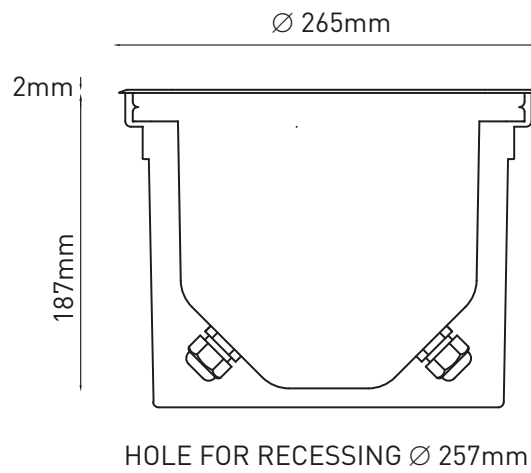
- Material: completely made in stainless steel AISI 316
- NR. 8 x 1.5W CREE "XP-G3" LED
- Electronic transformer 220/240V 50/60Hz included
- Stainless steel trim AISI 316
- Stainless steel screws
- Silicone rubber gasket
- Tempered safety glass.
- Max static weight resistance 5000 Kg
- Protection against impact IK10 (20 joule)
- Double M20 cable gland
- Adjustable +/- 15 degrees.
- Polypropilene housing for recess included
- 1 mt. neoprene power cable included



**COMPLETELY MADE OF STAINLESS STEEL AISI 316 GRADE**

**1...10 V DALI**  
1-10 V DIMMABLE / DALI VERSION  
AVAILABLE ON REQUEST

**FullRGB**  
AVAILABLE ON REQUEST



12 WATT  
220-240V 50-60HZ ELECTRONIC  
IP67  
5.50 KG UNIT GROSS WEIGHT

LIGHT SOURCE	LED COLOR*	LIGHT BEAM OPTIONS	LUMEN OUTPUT (lm)	LUMINOUS EFFICACY (lm/w)	COLORS OPTIONS
HIGH-POWER LED	3.000°K WARM-WHITE	M 10°	1.152	96.00	STAINLESS STEEL
		M 30°	1.095	91.25	
		M 45°	1.040	86.67	
	4.000°K NEUTRAL-WHITE	M 10°	1.200	100.00	
		M 30°	1.140	95.00	
		M 45°	1.083	90.25	

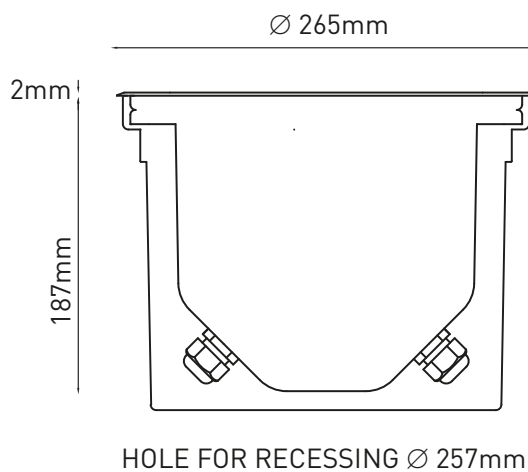
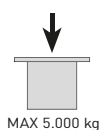
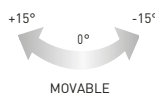
**201041 HYDROFLOOR MAXI STEEL AISI 316 ROUND G12**

Round compact ground-recessed luminaire for outdoor installation, stainless steel AISI 316 body and frame, tempered safety glass, moulded silicone gasket. Built-in ballast 230V 50Hz, G12 35W or 70W metal halide. IP67 rating.

- Material: completely made in stainless steel AISI 316
- HIT CRI 35W or HIT CRI 70W
- Built-in conventional ballast 230V 50Hz
- Stainless steel trim AISI 316
- Stainless steel screws
- Silicone rubber gasket
- Tempered safety glass.
- Max static weight resistance 5000 Kg
- Protection against impact IK10 (20 joule)
- Double M20 cable gland
- Adjustable +/- 15 degrees.
- Polypropilene housing for recess included



**COMPLETELY MADE OF STAINLESS STEEL AISI 316 GRADE**

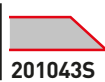


	LIGHT SOURCE	LIGHT COLOR	LIGHT BEAM OPTIONS	COLORS OPTIONS
35 WATT   70 WATT 230V 50HZ IP67 6.00 KG UNIT GROSS WEIGHT	 HIT-CRI - BASE G12	SEE BULB FEATURES	4° SUPER-NARROW (ON REQUEST)	STAINLESS STEEL
			10° NARROW	
			23° FLOOD (ON REQUEST)	

**201043S HYDROFLOOR MAXI ROUND RX7S SYMMETRIC**



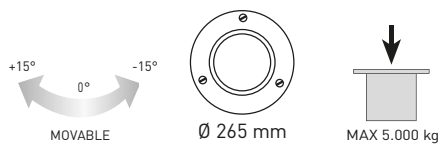
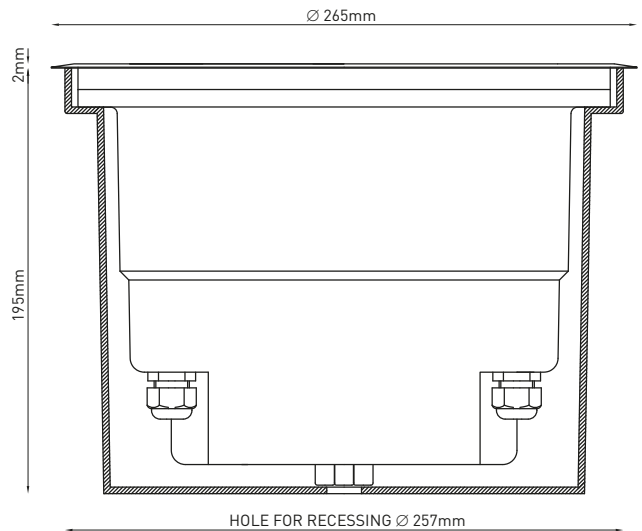
201042S



201043S

Round ground-recessed luminaire for outdoor installation, Phosphochromatised and polyester powder coated die-cast copper-free aluminium body and stainless steel AISI 304 frame, tempered safety glass, moulded silicone gasket. Symmetrical reflector. Built-in ballast 230V 50Hz, Rx7s 70W metal halide. IP67 rating.

- Material: high corrosion resistance die-cast copper-free aluminum body
- Coating: polyester powder coating with phosphochromating pre-finish
- HIT DE 70W Rx7s
- Built-in conventional ballast 230V 50Hz
- Stainless steel trim AISI 304
- Stainless steel screws
- Silicone rubber gasket
- Tempered safety glass.
- Max static weight resistance 5000 Kg
- Protection against impact IK10 (20 joule)
- Double M20 cable gland
- Adjustable +/- 15 degrees.
- Polypropilene housing for recess included



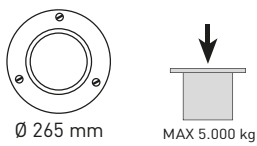
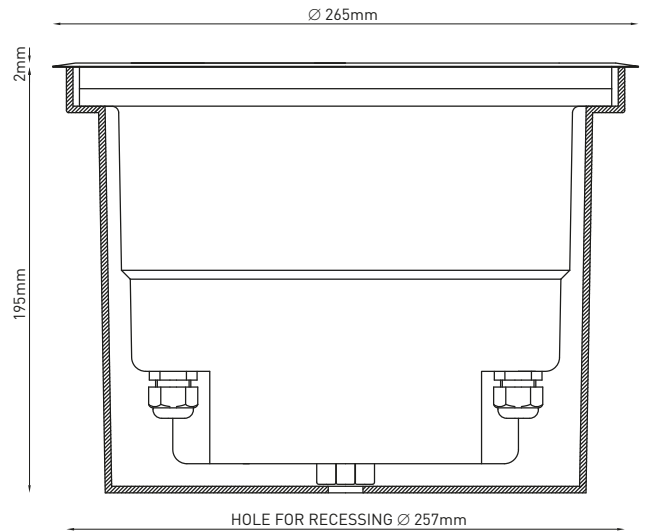
	LIGHT SOURCE	LIGHT COLOR	LIGHT BEAM OPTIONS	COLORS OPTIONS
70 WATT 230V 50HZ IP67 6,00 KG UNIT GROSS WEIGHT	HIT-DE - BASE RX7S	SEE BULB FEATURES	60° FLOOD	STAINLESS STEEL

**201046A HYDROFLOOR MAXI ROUND RX7S ASYMMETRIC**




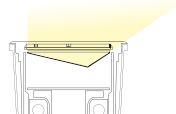

Round ground-recessed luminaire for outdoor installation, Phosphochromatised and polyester powder coated die-cast copper-free aluminium body and stainless steel AISI 304 frame, tempered safety glass, moulded silicone gasket. Asymmetrical reflector. Built-in ballast 230V 50Hz, Rx7s 70W metal halide. IP67 rating.

- Material: high corrosion resistance die-cast copper-free aluminum body
- Coating: polyester powder coating with phosphochromating pre-finish
- HIT DE 70W Rx7s
- Built-in conventional ballast 230V 50Hz
- Stainless steel trim AISI 304
- Stainless steel screws
- Silicone rubber gasket
- Tempered safety glass.
- Max static weight resistance 5000 Kg
- Protection against impact IK10 (20 joule)
- Double M20 cable gland
- Polypropilene housing for recess included



Ø 265 mm

MAX 5.000 kg

	LIGHT SOURCE	LIGHT COLOR	LIGHT BEAM OPTIONS	COLORS OPTIONS
70 WATT 230V 50HZ IP67 6,00 KG UNIT GROSS WEIGHT	 HIT-DE - BASE RX7S	SEE BULB FEATURES	 ASYMMETRIC	 STAINLESS STEEL



**201048 HYDROFLOOR MAXI COMPACT PERFORMANCE LED**

Round compact ground-recessed luminaire for outdoor installation, Phospho-chromatised and polyester powder coated die-cast copper-free aluminium body and stainless steel AISI 304 frame, tempered safety glass, moulded silicone gasket. Built-in LED driver 220-240V 50-60Hz, with 15 CREE XP-G3 LED. IP67 rating.

**Energy Label A++**

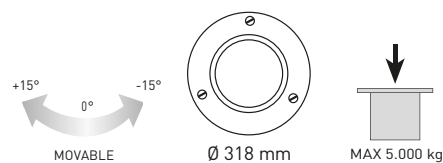
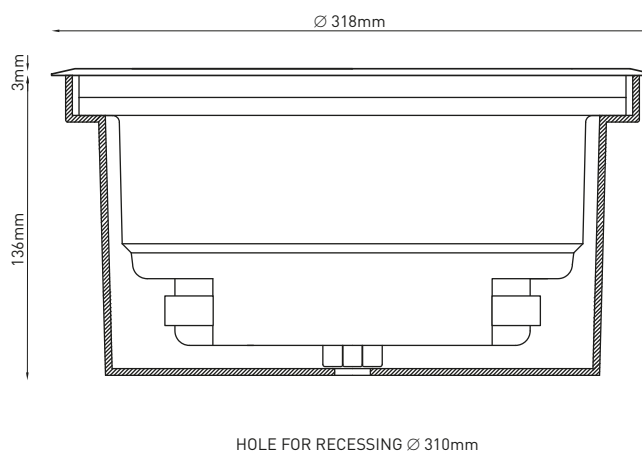
- Material: high corrosion resistance die-cast copper-free aluminum body
- Coating: polyester powder coating with phosphochromating pre-finish
- NR. 15 x 1.5W CREE "XP-G3" LED
- Electronic transformer 220/240V 50/60Hz included
- Stainless steel trim AISI 304
- Stainless steel screws
- Silicone rubber gasket
- Tempered safety glass.
- Max static weight resistance 5000 Kg
- Protection against impact IK10 (20 joule)
- Double M20 cable gland
- Polypropilene housing for recess included
- 1 mt. neoprene power cable included



**REDUCED RECESSED DEPTH ONLY 136 mm**



1-10 V DIMMABLE / DALI VERSION  
AVAILABLE ON REQUEST



22 WATT  
220-240V 50-60HZ ELECTRONIC  
IP67  
5 KG UNIT GROSS WEIGHT

LIGHT SOURCE	LED COLOR*	LIGHT BEAM OPTIONS	LUMEN OUTPUT (lm)	LUMINOUS EFFICACY (lm/w)	COLORS OPTIONS
HIGH-POWER LED	3.000°K WARM-WHITE	M 10°	2.160	98.18	STAINLESS STEEL
		M 30°	2.052	93.27	
		M 45°	1.949	88.60	
	4.000°K NEUTRAL-WHITE	M 10°	2.250	102.28	
		M 30°	2.137	97.14	
		M 45°	2.030	92.27	





**201062 HYDROFLOOR MAXI COMPACT PERFORMANCE PRO LED**

Round compact ground-recessed luminaire for outdoor installation, Phospho-chromatised and polyester powder coated die-cast copper-free aluminium body and stainless steel AISI 304 frame, tempered safety glass, moulded silicone gasket. Built-in LED driver 220-240V 50-60Hz, with 15 CREE XP-L LED. IP67 rating.

**Energy Label A++**

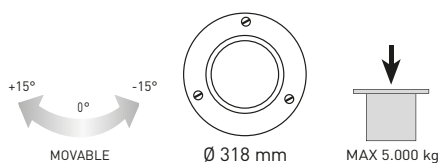
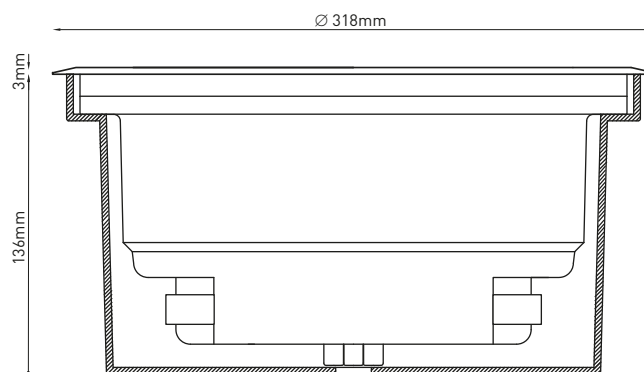
- Material: high corrosion resistance die-cast copper-free aluminum body
- Coating: polyester powder coating with phosphochromating pre-finish
- NR. 15 CREE "XP-L" LED
- Electronic transformer 220/240V 50/60Hz included
- Stainless steel trim AISI 304
- Stainless steel screws
- Silicone rubber gasket
- Tempered safety glass.
- Max static weight resistance 5000 Kg
- Protection against impact IK10 (20 joule)
- Double M20 cable gland
- Polypropilene housing for recess included
- 1 mt. neoprene power cable included



**REDUCED RECESSED DEPTH ONLY 136 mm**

**+70% LUMEN OUTPUT**

**1...10 V DALI**  
1-10 V DIMMABLE / DALI VERSION  
AVAILABLE ON REQUEST



	LIGHT SOURCE	LED COLOR*	LIGHT BEAM OPTIONS	LUMEN OUTPUT (lm)	LUMINOUS EFFICACY (lm/w)	COLORS OPTIONS
40 WATT 220-240V 50-60HZ ELECTRONIC IP67 5 KG UNIT GROSS WEIGHT	HIGH-POWER LED	3.000°K WARM-WHITE	10°	3.680	92.00	STAINLESS STEEL
			30°	3.500	87.50	
			45° *	3.320	83.00	

\* OTHER LIGHT COLORS AVAILABLE ON REQUEST: ○ 4.000°K NEUTRAL-WHITE - \* 45° ON REQUEST

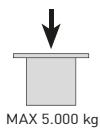
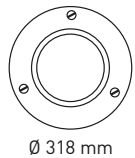
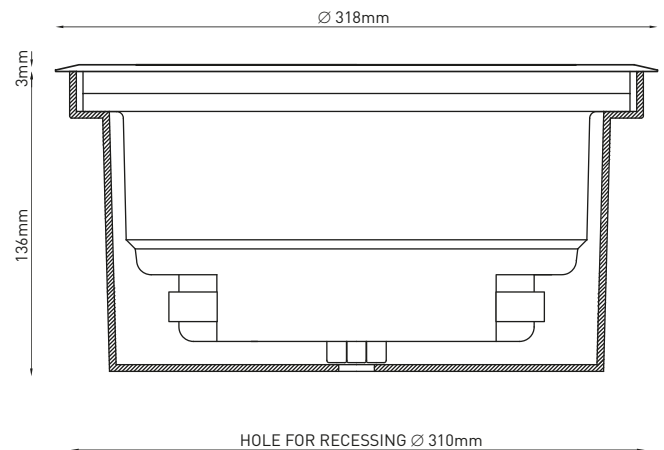
**201049 HYDROFLOOR MAXI COMPACT ROUND G12**

Round compact ground-recessed luminaire for outdoor installation, Phospho-chromatised and polyester powder coated die-cast copper-free aluminium body and stainless steel AISI 304 frame, tempered safety glass, moulded silicone gasket. Built-in ballast 230V 50Hz, G12 35W or 70W metal halide. IP67 rating.

- Material: high corrosion resistance die-cast copper-free aluminum body
- Coating: polyester powder coating with phosphochromating pre-finish
- HIT CRI 35W or HIT CRI 70W
- Built-in conventional ballast 230V 50Hz
- Stainless steel trim AISI 304
- Stainless steel screws
- Silicone rubber gasket
- Tempered safety glass.
- Max static weight resistance 5000 Kg
- Protection against impact IK10 (20 joule)
- Double M20 cable gland
- Polypropilene housing for recess included



**REDUCED RECESSED DEPTH ONLY 136 mm**

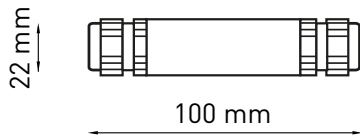



	LIGHT SOURCE	LIGHT COLOR	LIGHT BEAM OPTIONS	COLORS OPTIONS
35 WATT   70 WATT 230V 50HZ IP67 6.00 KG UNIT GROSS WEIGHT	HIT-CRI - BASE G12	SEE BULB FEATURES	4° SUPER-NARROW (ON REQUEST)	STAINLESS STEEL
			10° NARROW	
			23° FLOOD (ON REQUEST)	

**AC005 HYDROCONNECT-02 - 2 WAYS**

- Hydroconnect ip68-02  
2 Ways

IP68 - CE ▽ ⊕

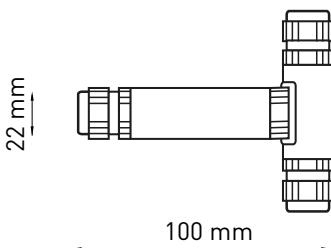



COLORS OPTIONS
 MATT BLACK

**AC006 HYDROCONNECT-03 - 3 WAYS**

- Hydroconnect ip68-03  
3 Ways

IP68 - CE ▽ ⊕



COLORS OPTIONS
 MATT BLACK



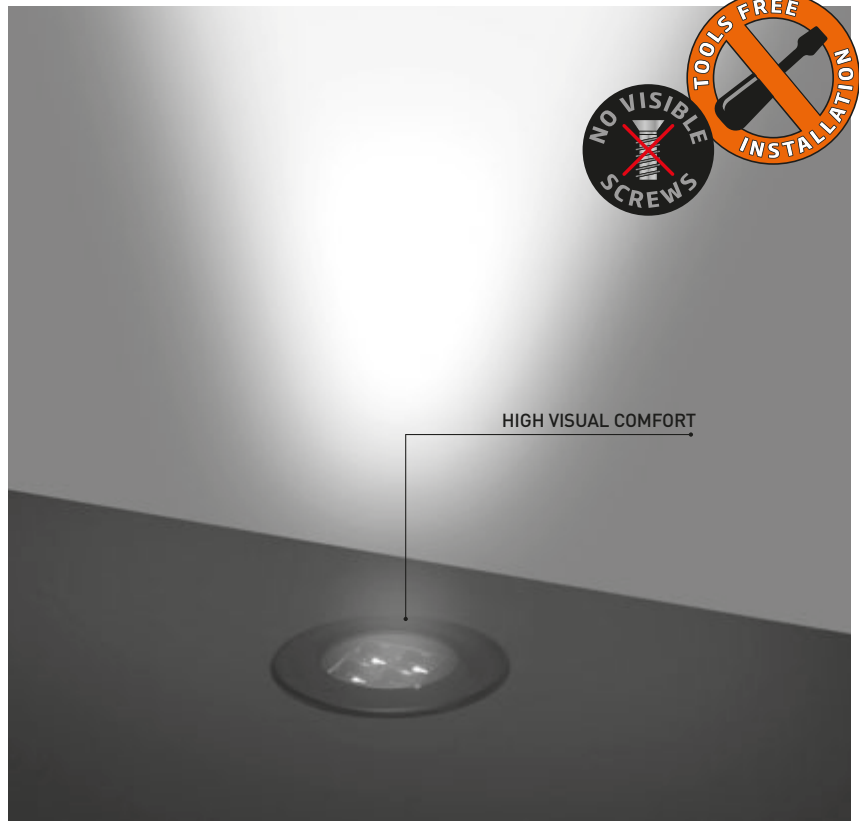
**206001 HYDROFLOOR MINI INVISA LED**



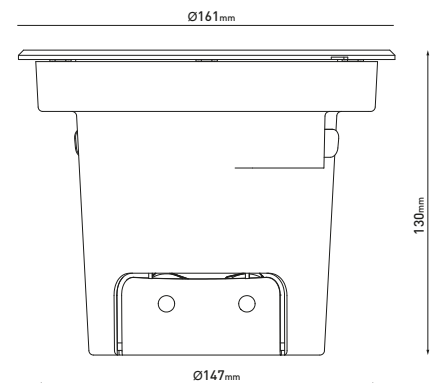
Round compact ground-recessed luminaire for outdoor installation, Phospho-chromatised and polyester powder coated die-cast copper-free aluminium body and stainless steel AISI 316 frame, tempered safety glass, moulded silicone gasket, non-visible stainless steel screws. Built-in LED driver 220-240V 50-60Hz, with 4 CREE XP-G2 LED + special optics with "invisa-light" technology. IP67 rating.

**Energy Label** A++

- Material: high corrosion resistance die-cast copper-free aluminum body
- Coating: polyester powder coating with phosphochromating pre-finish
- NR. 4 x 1.5W CREE "XP-G2" LED
- special optics with "invisa-light" technology
- Electronic transformer 220/240V 50/60Hz included
- Stainless steel trim AISI 304
- Stainless steel screws
- Silicone rubber gasket
- Tempered safety glass.
- Max static weight resistance 2000 Kg
- Protection against impact IK09 (10 joule)
- Double M20 cable gland
- Polypropilene housing for recess included
- 1 mt. neoprene power cable included



SLIDING HOOKING SYSTEM FOR RECESSING BOX



7 WATT  
220-240V 50-60HZ ELECTRONIC  
IP67  
2,00 KG UNIT GROSS WEIGHT

LIGHT SOURCE	LED COLOR*	LIGHT BEAM OPTIONS	LUMEN OUTPUT (lm)	LUMINOUS EFFICACY (lm/w)	COLORS OPTIONS
HIGH-POWER LED	3.000°K WARM-WHITE	M 18°	595	85.00	<div style="display: flex; flex-direction: column; align-items: flex-start;"> <div style="display: flex; align-items: center; margin-bottom: 5px;"> <span style="width: 15px; height: 15px; background-color: black; margin-right: 5px;"></span> <span>MATT BLACK</span> </div> <div style="display: flex; align-items: center;"> <span style="width: 15px; height: 15px; background-color: #cccccc; margin-right: 5px;"></span> <span>STAINLESS STEEL (ON REQUEST)</span> </div> </div>
		M 36°	565	80.71	
	4.000°K NEUTRAL-WHITE	M 18°	630	90.00	
		M 36°	598	85.43	



**206002 HYDROFLOOR MEDIUM INVISA LED**



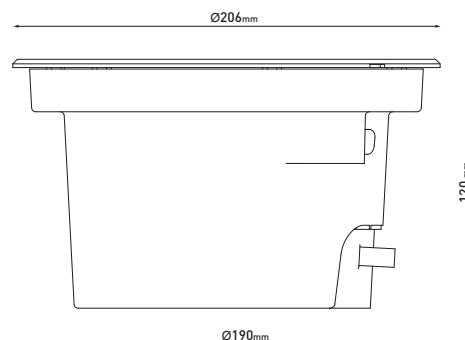
Round compact ground-recessed luminaire for outdoor installation, Phospho-chromatised and polyester powder coated die-cast copper-free aluminium body and stainless steel AISI 316 frame, tempered safety glass, moulded silicone gasket, non-visible stainless steel screws. Built-in LED driver 220-240V 50-60Hz, with 9 CREE XP-G2 LED + special optics with "invisa-light" technology. IP67 rating.

**Energy Label** A++

- Material: high corrosion resistance die-cast copper-free aluminum body
- Coating: polyester powder coating with phosphochromating pre-finish
- NR. 9 x 1.5W CREE "XP-G2" LED
- special optics with "invisa-light" technology
- Electronic transformer 220/240V 50/60Hz included
- Stainless steel trim AISI 304
- Stainless steel screws
- Silicone rubber gasket
- Tempered safety glass.
- Max static weight resistance 5000 Kg
- Protection against impact IK09 (10 joule)
- Double M20 cable gland
- Polypropilene housing for recess included
- 1 mt. neoprene power cable included



SLIDING HOOKING SYSTEM FOR RECESSING BOX



15 WATT  
220-240V 50-60HZ ELECTRONIC  
IP67  
3,00 KG UNIT GROSS WEIGHT

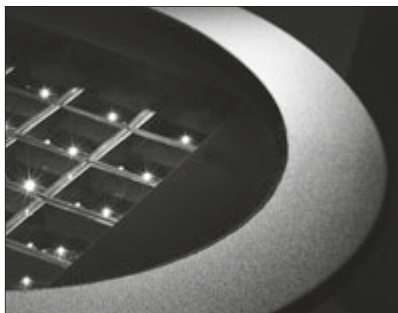
LIGHT SOURCE	LED COLOR*	LIGHT BEAM OPTIONS	LUMEN OUTPUT (lm)	LUMINOUS EFFICACY (lm/w)	COLORS OPTIONS
HIGH-POWER LED	3.000°K WARM-WHITE	M 18°	1.296	86.40	<div style="display: flex; flex-direction: column; align-items: flex-start;"> <div style="margin-bottom: 5px;"> <span style="display: inline-block; width: 10px; height: 10px; background-color: black; margin-right: 5px;"></span> MATT BLACK                 </div> <div> <span style="display: inline-block; width: 10px; height: 10px; background-color: silver; border: 1px solid black; margin-right: 5px;"></span> STAINLESS STEEL (ON REQUEST)                 </div> </div>
		M 36°	1.231	82.07	
	4.000°K NEUTRAL-WHITE	M 18°	1.350	90.00	
		M 36°	1.282	85.47	

**206003 HYDROFLOOR MAXI INVISA LED** NEW

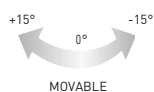
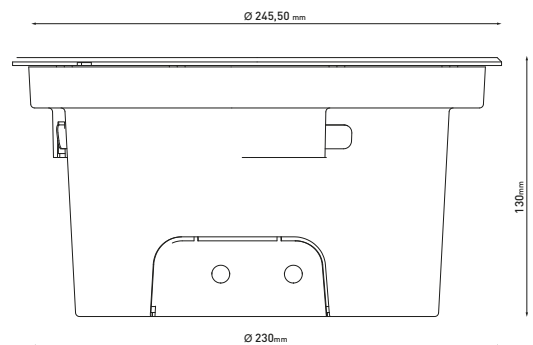
Round compact ground-recessed luminaire for outdoor installation, Phospho-chromatised and polyester powder coated die-cast copper-free aluminium body and stainless steel AISI 316 frame, tempered safety glass, moulded silicone gasket, non-visible stainless steel screws. Built-in LED driver 220-240V 50-60Hz, with 16 CREE XP-G2 LED + special optics with "invisa-light" technology. IP67 rating.

**Energy Label** A++

- Material: high corrosion resistance die-cast copper-free aluminum body
- Coating: polyester powder coating with phosphochromating pre-finish
- NR. 16 x 1.5W CREE "XP-G2" LED
- special optics with "invisa-light" technology
- Electronic transformer 220/240V 50/60Hz included
- Stainless steel trim AISI 304
- Stainless steel screws
- Silicone rubber gasket
- Tempered safety glass.
- Max static weight resistance 5000 Kg
- Protection against impact IK09 (10 joule)
- Double M20 cable gland
- Polypropilene housing for recess included
- 1 mt. neoprene power cable included



SLIDING HOOKING SYSTEM FOR RECESSING BOX



27 WATT  
220-240V 50-60HZ ELECTRONIC  
IP67  
4,50 KG UNIT GROSS WEIGHT

LIGHT SOURCE	LED COLOR*	LIGHT BEAM OPTIONS	LUMEN OUTPUT (lm)	LUMINOUS EFFICACY (lm/w)	COLORS OPTIONS
HIGH-POWER LED	3.000°K WARM-WHITE	18°	2.232	82.67	<div style="display: flex; flex-direction: column; gap: 10px;"> <div style="display: flex; align-items: center;"> <div style="width: 15px; height: 15px; background-color: black; margin-right: 5px;"></div> <span>MATT BLACK</span> </div> <div style="display: flex; align-items: center;"> <div style="width: 15px; height: 15px; background-color: #cccccc; margin-right: 5px;"></div> <span>STAINLESS STEEL (ON REQUEST)</span> </div> </div>
		36°	2.120	78.52	
	4.000°K NEUTRAL-WHITE	18°	2.325	86.11	
		36°	2.208	81.78	



**206004 HYDROFLOOR MEGA INVISA LED**

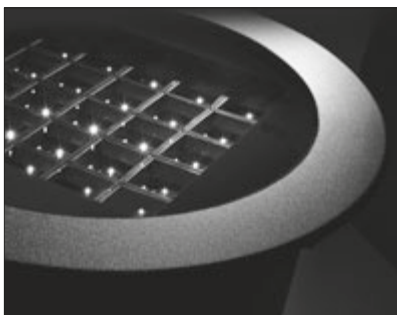


Round compact ground-recessed luminaire for outdoor installation, Phospho-chromatised and polyester powder coated die-cast copper-free aluminium body and stainless steel AISI 316 frame, tempered safety glass, moulded silicone gasket, non-visible stainless steel screws. Built-in LED driver 220-240V 50-60Hz, with 25 CREE XP-G2 LED + special optics with "invisa-light" technology. IP67 rating.



**Energy Label** A++

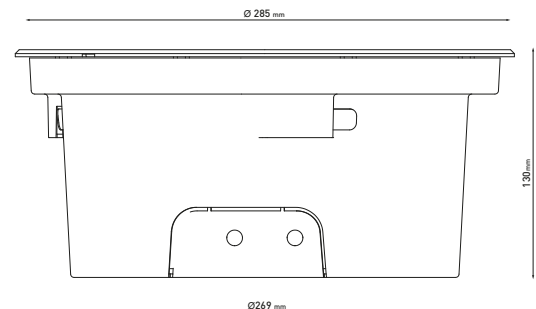
- Material: high corrosion resistance die-cast copper-free aluminum body
- Coating: polyester powder coating with phosphochromating pre-finish
- NR. 25 x 1.5W CREE "XP-G2" LED
- special optics with "invisa-light" technology
- Electronic transformer 220/240V 50/60Hz included
- Stainless steel trim AISI 304
- Stainless steel screws
- Silicone rubber gasket
- Tempered safety glass.
- Max static weight resistance 5000 Kg
- Protection against impact IK09 (10 joule)
- Double M20 cable gland
- Polypropilene housing for recess included
- 1 mt. neoprene power cable included



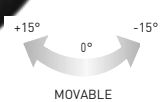
SLIDING HOOKING SYSTEM FOR RECESSING BOX



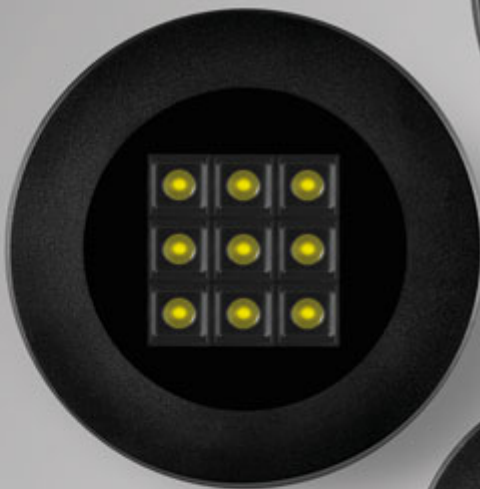
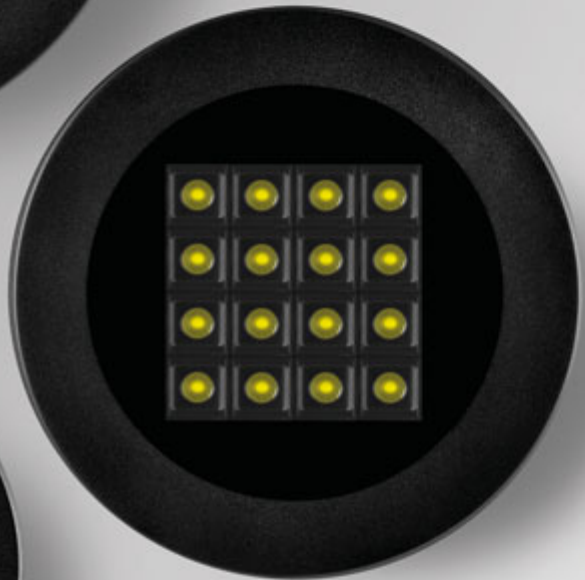
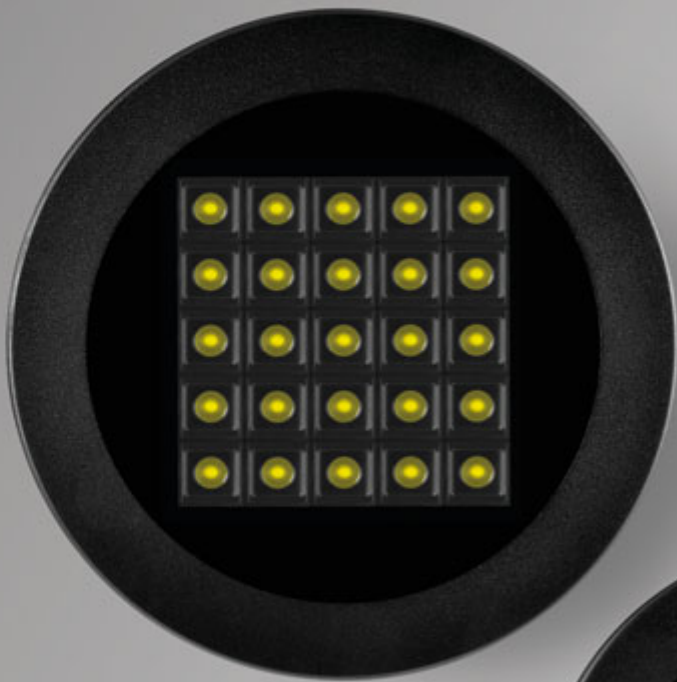
STAINLESS STEEL FINISH TRIM AVAILABLE ON REQUEST



41 WATT  
220-240V 50-60HZ ELECTRONIC  
IP67  
6,00 KG UNIT GROSS WEIGHT



LIGHT SOURCE	LED COLOR*	LIGHT BEAM OPTIONS	LUMEN OUTPUT (lm)	LUMINOUS EFFICACY (lm/w)	COLORS OPTIONS
HIGH-POWER LED	3.000°K WARM-WHITE	18°	3.720	90.73	<div style="display: flex; flex-direction: column; gap: 5px;"> <div><span style="display: inline-block; width: 15px; height: 15px; background-color: black; margin-right: 5px;"></span> MATT BLACK</div> <div><span style="display: inline-block; width: 15px; height: 15px; background-color: #cccccc; margin-right: 5px;"></span> STAINLESS STEEL (ON REQUEST)</div> </div>
		36°	3.534	86.19	
	4.000°K NEUTRAL-WHITE	18°	3.875	94.51	
		36°	3.681	89.78	

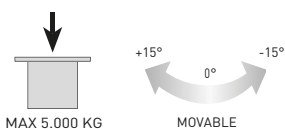
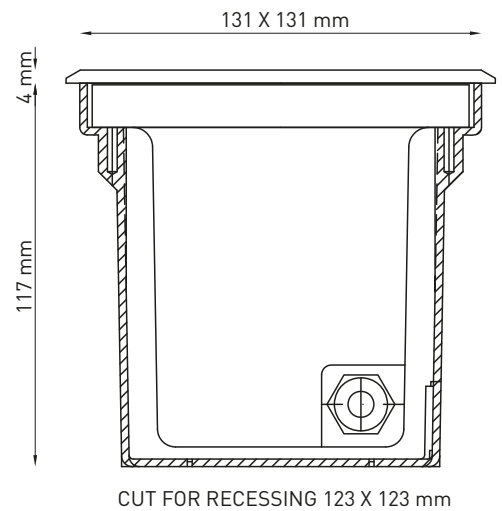


**202001 HYDROQUADRO MINI PERFORMANCE LED**








Square ground-recessed luminaire for outdoor installation, Phosphochromatised and polyester powder coated die-cast copper-free aluminium body and stainless steel AISI 304 frame, tempered safety glass, moulded silicone gasket. Built-in LED driver 220-240V 50-60Hz, with 3 CREE XP-G3 LED. IP67 rating.

**Energy Label** A++

- Material: high corrosion resistance die-cast copper-free aluminum body
- Coating: polyester powder coating with phosphochromating pre-finish
- Stainless steel AISI 304 trim.
- NR. 3 x 1W CREE "XP-G3" LED
- Electronic transformer 220/240V 50/60Hz included
- Stainless steel screws
- Silicone rubber gasket
- Tempered safety glass.
- Max static weight resistance 5.000 Kg
- Protection against impact IK10 (20 joule)
- M20 cable gland.
- Adjustable +/- 15 degrees.
- Polypropilene recessing box included.
- 3 mt. neoprene power cable included



3 WATT  
220-240V 50-60HZ ELECTRONIC  
IP67  
1.25 KG UNIT GROSS WEIGHT

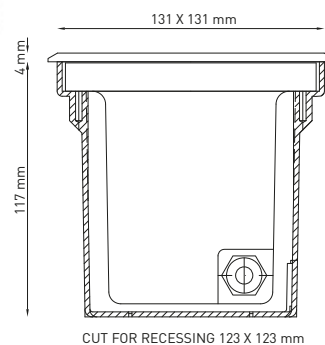
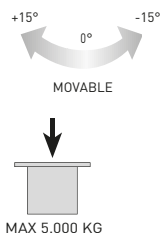
LIGHT SOURCE	LED COLOR*	LIGHT BEAM OPTIONS	LUMEN OUTPUT (lm)	LUMINOUS EFFICACY (lm/w)	COLORS OPTIONS
HIGH-POWER LED	3.000°K WARM-WHITE	 10°	346	115.33	 STAINLESS STEEL
		 30°	329	109.66	
		 45°	312	104.00	
	4.000°K NEUTRAL-WHITE	 10°	360	120.00	
		 30°	342	114.00	
		 45°	325	108.33	



\* OTHER LIGHT COLORS AVAILABLE ON REQUEST: ● BLUE

**202002P HYDROQUADRO MINI ROUND GU5.3**

Square ground-recessed luminaire for outdoor installation, Phospho-chromatised and polyester powder coated die-cast copper-free aluminium body and stainless steel AISI 304 frame, tempered safety glass, moulded silicone gasket. GU5.3 LED / halogen. IP67 rating.

- Material: high corrosion resistance die-cast copper-free aluminum body
- Coating: polyester powder coating with phosphochromating pre-finish
- Stainless steel AISI 304 trim.
- GU5.3 base, MAX 35W
- Stainless steel screws
- Silicone rubber gasket
- Tempered safety glass.
- Fully frosted glass available on request.
- Max static weight resistance 5.000 Kg
- Protection against impact IK10 (20 joule)
- Adjustable +/- 15 degrees.
- M20 cable gland.
- Polypropilene recessing box included.

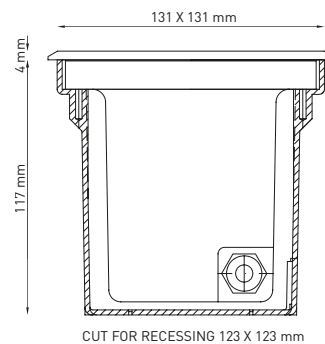
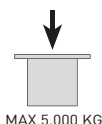




	LIGHT SOURCE	LIGHT COLOR	LIGHT BEAM OPTIONS	COLORS OPTIONS
35 WATT MAX 12V IP67 1.20 KG UNIT GROSS WEIGHT	 GU5.3 LED / HALOGEN	SEE BULB FEATURES	SEE BULB FEATURES	 STAINLESS STEEL

**202003P HYDROQUADRO MINI ROUND GU10**

Square ground-recessed luminaire for outdoor installation, Phospho-chromatised and polyester powder coated die-cast copper-free aluminium body and stainless steel AISI 304 frame, tempered safety glass, moulded silicone gasket. GU10 LED / halogen. IP67 rating.

- Material: high corrosion resistance die-cast copper-free aluminum body
- Coating: polyester powder coating with phosphochromating pre-finish
- Stainless steel AISI 304 ring.
- GU10 base, MAX 35W
- Stainless steel screws
- Silicone rubber gasket
- Tempered safety glass.
- Fully frosted glass available on request.
- Max static weight resistance 5.000 Kg
- Protection against impact IK10 (20 joule)
- M20 cable gland.
- Polypropilene recessing box included.



	LIGHT SOURCE	LIGHT COLOR	LIGHT BEAM OPTIONS	COLORS OPTIONS
35 WATT MAX 220-230V 50-60HZ IP67 1.20 KG UNIT GROSS WEIGHT	 GU10 LED / HALOGEN	SEE BULB FEATURES	SEE BULB FEATURES	 STAINLESS STEEL

**202008 HYDROQUADRO MEDIUM PERFORMANCE LED**

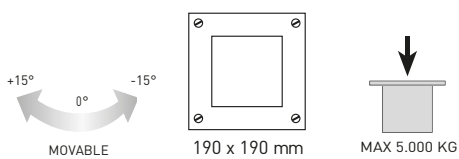
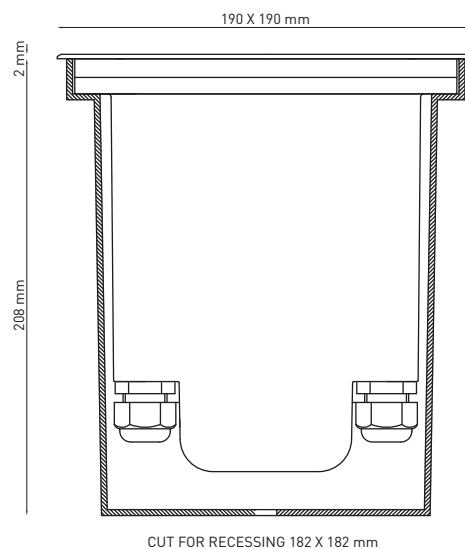
Square ground-recessed luminaire for outdoor installation, Phosphochromatised and polyester powder coated die-cast copper-free aluminium body and stainless steel AISI 304 frame, tempered safety glass, moulded silicone gasket. Built-in LED driver 220-240V 50-60Hz, with 9 CREE XP-G3 LED. IP67 rating.

**Energy Label** A++

- Material: high corrosion resistance die-cast copper-free aluminum body
- Coating: polyester powder coating with phosphochromating pre-finish
- Stainless steel AISI 304 trim.
- NR. 9 x 1.5W CREE "XP-G3" LED
- Electronic transformer 220/240V 50/60Hz included
- Stainless steel screws
- Silicone rubber gasket
- Tempered safety glass.
- Max static weight resistance 5.000 Kg
- Protection against impact IK10 (20 joule)
- Double M20 cable gland.
- Adjustable +/- 15 degrees.
- Polypropilene recessing box included.
- 1 mt. neoprene power cable included



1-10 V DIMMABLE / DALI VERSION  
AVAILABLE ON REQUEST



14 WATT  
220-240V 50-60HZ ELECTRONIC  
IP67  
2.80 KG UNIT GROSS WEIGHT

LIGHT SOURCE	LED COLOR*	LIGHT BEAM OPTIONS	LUMEN OUTPUT (lm)	LUMINOUS EFFICACY (lm/w)	COLORS OPTIONS
HIGH-POWER LED	3.000°K WARM-WHITE	M 10°	1.296	92.57	STAINLESS STEEL
		M 30°	1.231	87.93	
		M 45°	1.170	83.57	
	4.000°K NEUTRAL-WHITE	M 10°	1.350	96.43	
		M 30°	1.283	91.65	
		M 45°	1.219	87.07	

\* OTHER LIGHT COLORS AVAILABLE ON REQUEST: ● BLUE



**202009 HYDROQUADRO MAXI PERFORMANCE LED**

Square ground-recessed luminaire for outdoor installation, Phosphochromatised and polyester powder coated die-cast copper-free aluminium body and stainless steel AISI 304 frame, tempered safety glass, moulded silicone gasket. Built-in LED driver 220-240V 50-60Hz, with 16 CREE XP-G3 LED. IP67 rating.

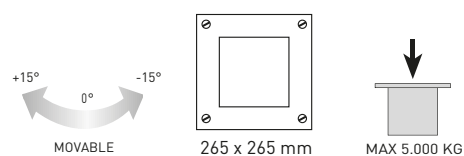
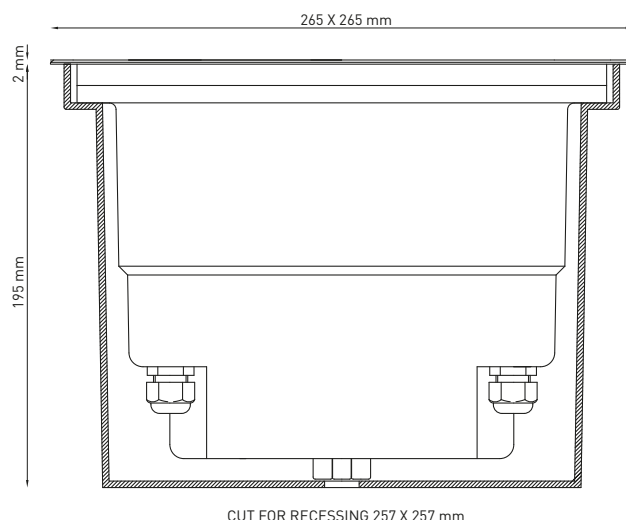
**Energy Label** A++

- Material: high corrosion resistance die-cast copper-free aluminum body
- Coating: polyester powder coating with phosphochromating pre-finish
- Stainless steel AISI 304 trim.
- NR. 16 x 1.5W CREE "XP-G3" LED
- Electronic transformer 220/240V 50/60Hz included
- Stainless steel screws
- Silicone rubber gasket
- Tempered safety glass.
- Max static weight resistance 5.000 Kg
- Protection against impact IK10 (20 joule)
- Double M20 cable gland.
- Adjustable +/- 15 degrees.
- Polypropilene recessing box included.
- 1 mt. neoprene power cable included



**1...10 V** **DALI**

1-10 V DIMMABLE / DALI VERSION  
AVAILABLE ON REQUEST



24 WATT  
220-240V 50-60HZ ELECTRONIC  
IP67  
5.70 KG UNIT GROSS WEIGHT

LIGHT SOURCE	LED COLOR*	LIGHT BEAM OPTIONS	LUMEN OUTPUT (lm)	LUMINOUS EFFICACY (lm/w)	COLORS OPTIONS
HIGH-POWER LED	3.000°K WARM-WHITE	10°	2.304	96.00	STAINLESS STEEL
		30°	2.189	91.21	
		45°	2.080	86.67	
	4.000°K NEUTRAL-WHITE	10°	2.400	100.00	
		30°	2.280	95.00	
		45°	2.166	90.25	

\* OTHER LIGHT COLORS AVAILABLE ON REQUEST: ● BLUE

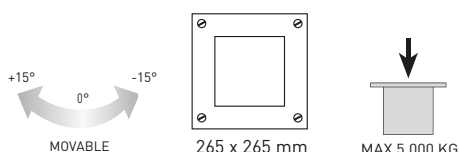
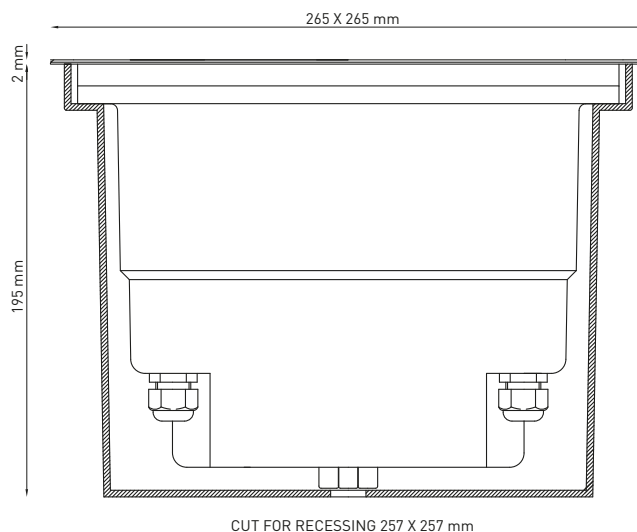
**202010 HYDROQUADRO MAXI PERFORMANCE PRO LED**

Square ground-recessed luminaire for outdoor installation, Phospho-chromatised and polyester powder coated die-cast copper-free aluminium body and stainless steel AISI 304 frame, tempered safety glass, moulded silicone gasket. Built-in LED driver 220-240V 50-60Hz, with 16 CREE XP-L LED. IP67 rating.

**Energy Label** A++

- Material: high corrosion resistance die-cast copper-free aluminum body
- Coating: polyester powder coating with phosphochromating pre-finish
- Stainless steel AISI 304 trim.
- NR. 16 CREE "XP-L" LED
- Electronic transformer 220/240V 50/60Hz included
- Stainless steel screws
- Silicone rubber gasket
- Tempered safety glass.
- Max static weight resistance 5.000 Kg
- Protection against impact IK10 (20 joule)
- Double M20 cable gland.
- Adjustable +/- 15 degrees.
- Polypropilene recessing box included.
- 1 mt. neoprene power cable included

**1...10 V** **DALI**  
1-10 V DIMMABLE / DALI VERSION  
AVAILABLE ON REQUEST



	LIGHT SOURCE	LED COLOR*	LIGHT BEAM OPTIONS	LUMEN OUTPUT (lm)	LUMINOUS EFFICACY (lm/w)	COLORS OPTIONS
44 WATT 220-240V 50-60HZ ELECTRONIC IP67 5.70 KG UNIT GROSS WEIGHT	HIGH-POWER LED	3.000°K WARM-WHITE	10°	3.920	89.10	STAINLESS STEEL
			30°	3.720	84.55	
			45°	3.540	80.45	

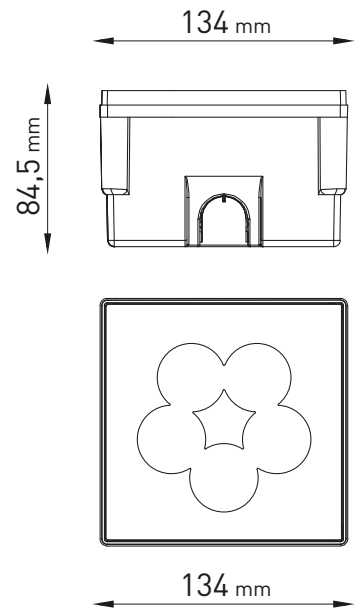
\* OTHER LIGHT COLORS AVAILABLE ON REQUEST: ○ 4.000°K NEUTRAL-WHITE

**205001 HYDROFLOOR VETRO MEDIUM SQUARE LED**

Square ground-recessed trimless uplight for outdoor installation, phospho-chromatised and polyester powder coated die-cast copper-free aluminium body, tempered safety glass, moulded silicone gasket. Built-in LED driver 220-240V 50-60Hz, with 5 CREE XP-G3 LED. IP67 rating.

**Energy Label** A++

- Material: high corrosion resistance die-cast copper-free aluminum body
- Coating: polyester powder coating with phosphochromating pre-finish
- NR. 5 x 1.5W CREE "XP-G3" LED
- Electronic transformer 220/240V 50/60Hz included
- Stainless steel screws
- Silicone rubber gasket
- Tempered safety glass.
- Max static weight resistance 5.000 Kg
- Protection against impact IK10 (20 joule)
- PG9 cable gland.
- Polypropilene recessing box included.
- 1 mt. neoprene power cable included



8 WATT  
220-240V 50-60HZ ELECTRONIC  
IP67  
1,40 KG UNIT GROSS WEIGHT

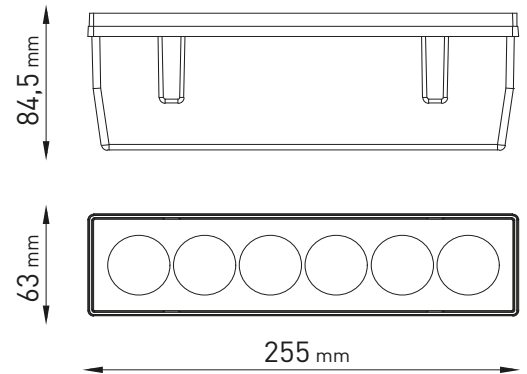
LIGHT SOURCE	LED COLOR*	LIGHT BEAM OPTIONS	LUMEN OUTPUT (lm)	LUMINOUS EFFICACY (lm/w)	COLORS OPTIONS
HIGH-POWER LED	3.000°K WARM-WHITE	10°	720	90.00	<input type="checkbox"/> GLASS
		30°	684	85.50	
		45°	650	81.25	
	4.000°K NEUTRAL-WHITE	10°	750	93.75	
		30°	713	89.13	
		45°	677	84.63	

**205002 HYDROFLOOR VETRO LINEAR LED**

Linear ground-recessed trimless uplight for outdoor installation, phospho-chromatised and polyester powder coated die-cast copper-free aluminium body, tempered safety glass, moulded silicone gasket. Built-in LED driver 220-240V 50-60Hz, with 6 CREE XP-G3 LED. IP67 rating.

**Energy Label** A++

- Material: high corrosion resistance die-cast copper-free aluminum body
- Coating: polyester powder coating with phosphochromating pre-finish
- NR. 6 x 1.5W CREE "XP-G3" LED
- Electronic transformer 220/240V 50/60Hz included
- Stainless steel screws
- Silicone rubber gasket
- Tempered safety glass.
- Max static weight resistance 5.000 Kg
- Protection against impact IK10 (20 joule)
- PG9 cable gland.
- Polypropilene recessing box included.
- 1 mt. neoprene power cable included



10 WATT  
220-240V 50-60HZ ELECTRONIC  
IP67  
1,40 KG UNIT GROSS WEIGHT

LIGHT SOURCE	LED COLOR*	LIGHT BEAM OPTIONS	LUMEN OUTPUT (lm)	LUMINOUS EFFICACY (lm/w)	COLORS OPTIONS
HIGH-POWER LED	3.000°K WARM-WHITE	<b>M</b> 10°	900	90.00	□ GLASS
		<b>M</b> 30°	855	85.50	
		<b>M</b> 45°	812	81.20	
	4.000°K NEUTRAL-WHITE	<b>M</b> 10°	940	94.00	
		<b>M</b> 30°	893	89.30	
		<b>M</b> 45°	848	84.80	

\* OTHER LIGHT COLORS AVAILABLE ON REQUEST: ● BLUE

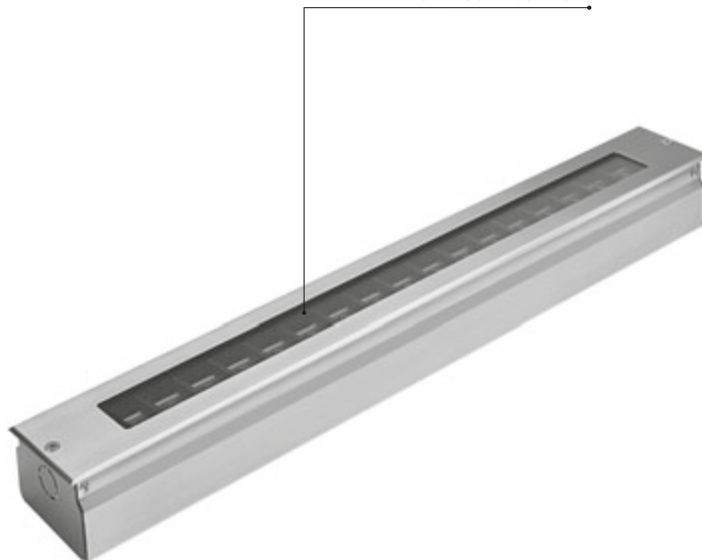


**203005 HYDROLINE SLIGHT 17 LED**



Linear ground-recessed luminaire for outdoor installation, length 585mm, Phospho-chromatised and polyester powder coated extruded copper-free aluminium body and stainless steel AISI 304 frame, tempered safety glass, moulded silicone gaskets, stainless steel recessing sleeve. Special optics with "invisa-light" technology. Built-in LED driver 220-240V 50-60Hz, with 17 CREE XP-G2 LED. IP67 rating.

HIGH VISUAL COMFORT

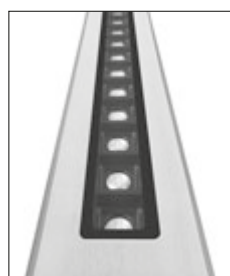
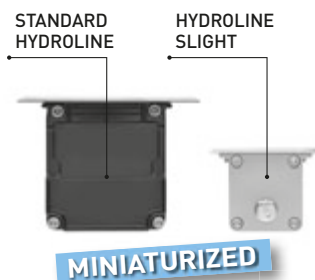


**Energy Label A++**

- Material: high corrosion resistance extruded copper-free aluminum body
- Coating: polyester powder coating with phosphochromating pre-finish
- NR. 17 x 1 W CREE "XP-G2" LED
- Special optics with "invisa-light" technology
- Electronic transformer 220/240V 50/60Hz included
- Stainless steel trim AISI 304
- Stainless steel screws
- Silicone rubber gasket
- Tempered safety glass.
- Stainless steel recessing sleeve.
- Max static weight resistance 5000 Kg
- Protection against impact IK09 (10 joule)
- Double M20 cable gland
- 1 mt. neoprene power cable included



DALI VERSION AVAILABLE ON REQUEST



21 WATT  
220-240V 50-60HZ ELECTRONIC  
IP67  
4,00 KG UNIT GROSS WEIGHT

LIGHT SOURCE	LED COLOR*	LIGHT BEAM OPTIONS	LUMEN OUTPUT (lm)	LUMINOUS EFFICACY (lm/w)	COLORS OPTIONS
HIGH-POWER LED	3.000°K WARM-WHITE	M 18°	1.896	90.3	STAINLESS STEEL
		M 36°	1.802	85.82	
	4.000°K NEUTRAL-WHITE	M 18°	1.976	94.11	
		M 36°	1.877	89.39	









**203006 HYDROLINE SLIGHT 35 LED**



Linear ground-recessed luminaire for outdoor installation, length 1.080mm, Phospho-chromatised and polyester powder coated extruded copper-free aluminium body and stainless steel AISI 304 frame, tempered safety glass, moulded silicone gaskets, stainless steel recessing sleeve. Special optics with "invisa-light" technology. Built-in LED driver 220-240V 50-60Hz, with 35 CREE XP-G2 LED. IP67 rating.

HIGH VISUAL COMFORT

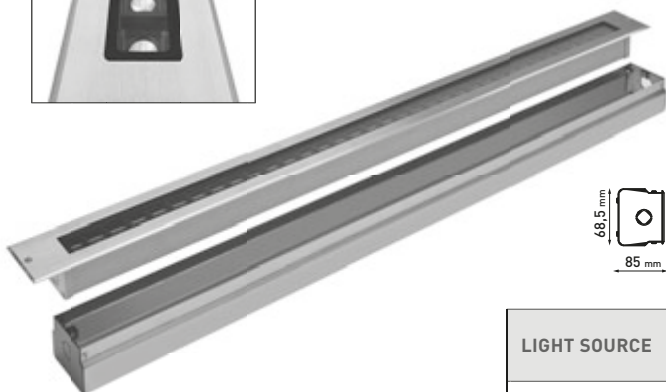
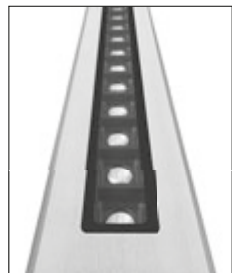
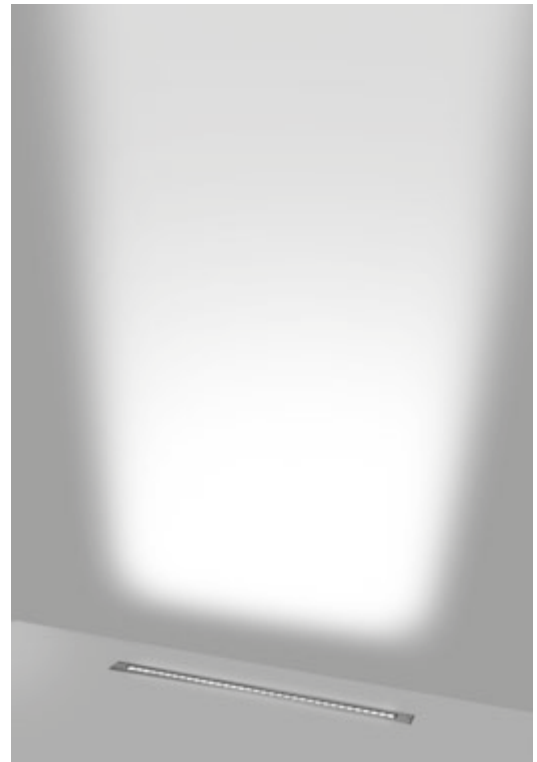
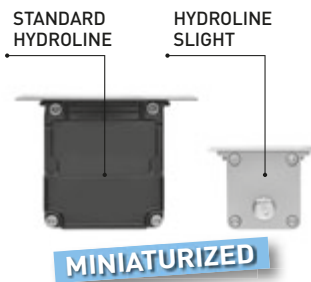


**Energy Label** **A++**

- Material: high corrosion resistance extruded copper-free aluminum body
- Coating: polyester powder coating with phosphochromating pre-finish
- NR. 35 x 1 W CREE "XP-G2" LED
- Special optics with "invisa-light" technology
- Electronic transformer 220/240V 50/60Hz included
- Stainless steel trim AISI 304
- Stainless steel screws
- Silicone rubber gasket
- Tempered safety glass.
- Stainless steel recessing sleeve.
- Max static weight resistance 5000 Kg
- Protection against impact IK09 (10 joule)
- Double M20 cable gland
- 1 mt. neoprene power cable included



DALI VERSION AVAILABLE ON REQUEST



39 WATT  
220-240V 50-60HZ ELECTRONIC  
IP67  
7,00 KG UNIT GROSS WEIGHT

LIGHT SOURCE	LED COLOR*	LIGHT BEAM OPTIONS	LUMEN OUTPUT (lm)	LUMINOUS EFFICACY (lm/w)	COLORS OPTIONS
HIGH-POWER LED	3.000°K WARM-WHITE	M 18°	3.502	89.79	STAINLESS STEEL
		M 36°	3.526	85.29	
	4.000°K NEUTRAL-WHITE	M 18°	3.648	93.54	
		M 36°	3.465	88.86	



**203003 HYDROLINE 13 PERFORMANCE LED**

Linear ground-recessed luminaire for outdoor installation, length 685mm, Phospho-chromatised and polyester powder coated extruded copper-free aluminium body and stainless steel AISI 304 frame, tempered safety glass, moulded silicone gasket. Built-in LED driver 220-240V 50-60Hz, with 13 CREE XP-G3 LED. IP67 rating.

**Energy Label** A++

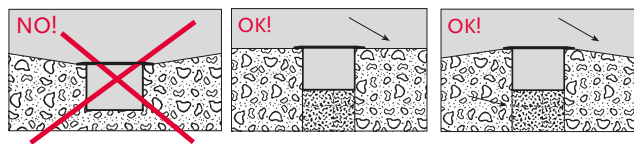
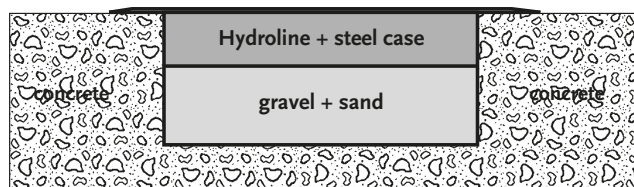
- Material: high corrosion resistance extruded copper-free aluminum body
- Coating: polyester powder coating with phosphochromating pre-finish
- NR. 13 x 1.5W CREE "XP-G3" LED
- Electronic transformer 220/240V 50/60Hz included
- Stainless steel AISI 304 trim.
- Stainless steel screws
- Silicone rubber gasket
- Tempered safety glass.
- Max static weight resistance 5000 Kg
- Protection against impact IK10 (20 joule)
- Double PG13.5 cable gland
- Stainless steel housing for recess included.
- 1 mt. neoprene power cable included.



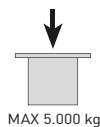
1-10 V DIMMABLE / DALI VERSION  
AVAILABLE ON REQUEST



AVAILABLE ON REQUEST



WHEN INSTALLING HYDROLINE, A "DRAINAGE BED" OF AT LEAST 20 CENTIMETERS HAS TO BE OBSERVED UNDER THE STAINLESS STEEL RECESSING BOX (GRAVEL AND SAND)



19.5 WATT  
220-240V 50-60HZ ELECTRONIC  
IP67  
7.00 KG UNIT GROSS WEIGHT

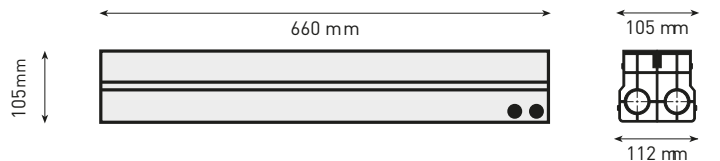
LIGHT SOURCE	LED COLOR*	LIGHT BEAM OPTIONS	LUMEN OUTPUT (lm)	LUMINOUS EFFICACY (lm/w)	COLORS OPTIONS
HIGH-POWER LED	3.000°K WARM-WHITE	10°	1.872	96.00	STAINLESS STEEL
		30°	1.779	91.25	
		45°	1.690	86.67	
		ASYMMETRIC WALL-WASHER	1.779	91.25	
	4.000°K NEUTRAL-WHITE	10°	1.950	100.00	
		30°	1.853	95.00	
		45°	1.760	90.25	
		ASYMMETRIC WALL-WASHER	1.853	95.00	

\* OTHER LIGHT COLORS AVAILABLE ON REQUEST: BLUE

Only fixture



Stainless steel box



**203004 HYDROLINE 21 PERFORMANCE LED**

Linear ground-recessed luminaire for outdoor installation, length 985mm, Phospho-chromatised and polyester powder coated extruded copper-free aluminium body and stainless steel AISI 304 frame, tempered safety glass, moulded silicone gasket. Built-in LED driver 220-240V 50-60Hz, with 21 CREE XP-G3 LED. IP67 rating.

**Energy Label** A++

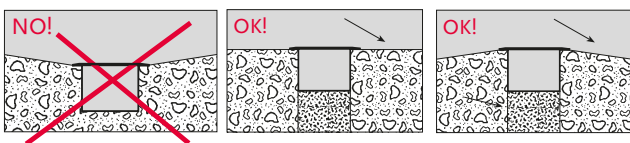
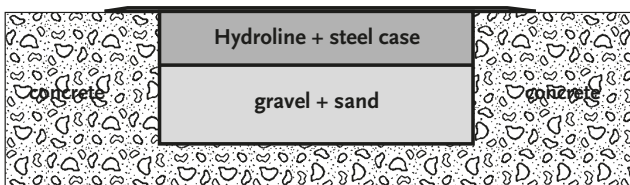
- Material: high corrosion resistance extruded copper-free aluminum body
- Coating: polyester powder coating with phosphochromating pre-finish
- NR. 21 x 1.5W CREE "XP-G3" LED
- Electronic transformer 220/240V 50/60Hz included
- Stainless steel AISI 304 trim.
- Stainless steel screws
- Silicone rubber gasket
- Tempered safety glass.
- Max static weight resistance 5000 Kg
- Protection against impact IK10 (20 joule)
- Double PG13.5 cable gland
- Stainless steel housing for recess included.
- 1 mt. neoprene power cable included.



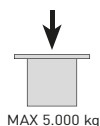
1-10 V DIMMABLE / DALI VERSION  
AVAILABLE ON REQUEST



AVAILABLE ON REQUEST



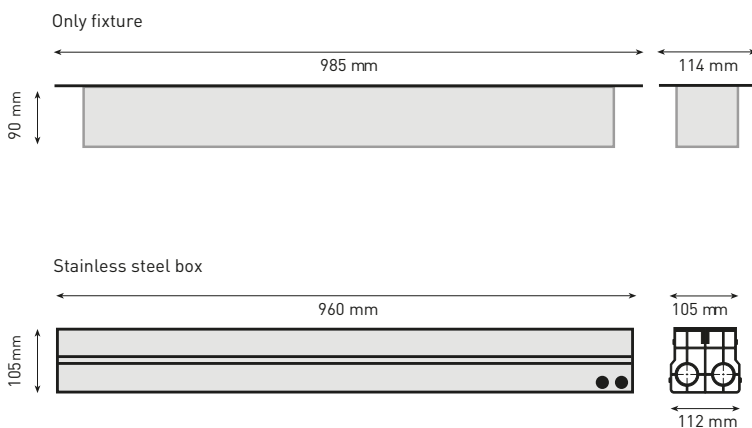
WHEN INSTALLING HYDROLINE, A "DRAINAGE BED" OF AT LEAST 20 CENTIMETERS HAS TO BE OBSERVED UNDER THE STAINLESS STEEL RECESSING BOX (GRAVEL AND SAND)



31.5 WATT  
220-240V 50-60HZ ELECTRONIC  
IP67  
10.00 KG UNIT GROSS WEIGHT

LIGHT SOURCE	LED COLOR*	LIGHT BEAM OPTIONS	LUMEN OUTPUT (lm)	LUMINOUS EFFICACY (lm/w)	COLORS OPTIONS
HIGH-POWER LED	3.000°K WARM-WHITE	10°	3.024	96.00	STAINLESS STEEL
		30°	2.873	91.25	
		45°	2.729	86.67	
		ASYMMETRIC WALL-WASHER	2.873	91.25	
	4.000°K NEUTRAL-WHITE	10°	3.150	100.00	
		30°	2.993	95.00	
		45°	2.843	90.25	
		ASYMMETRIC WALL-WASHER	2.993	95.00	

\* OTHER LIGHT COLORS AVAILABLE ON REQUEST: ● BLUE

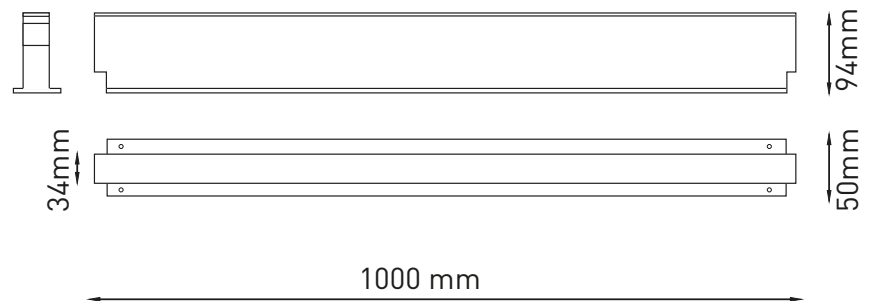


**204003 HYDROLINE VETRO SLIM LED**

Linear slim ground-recessed luminaire for outdoor installation, length 1.000mm, anodized extruded aluminium body, tempered frosted glass diffuser, stainless steel housing for recess. Built-in LED driver 220-240V 50-60Hz, Low power 72 Epistar SMD5050 LED. IP67 rating.

**Energy Label** **A++**

- Material: high corrosion resistance extruded copper-free aluminum body
- Coating: polyester powder coating with phosphochromating pre-finish
- NR. 72 x Epistar SMD5050 LED
- Electronic transformer 220/240V 50/60Hz included
- Stainless steel screws
- Opal resin diffuser.
- Max static weight resistance 3000 Kg
- Protection against impact IK09 (10 joule)
- Stainless steel housing for recess included.
- Double 0.5 mt. neoprene power cable included, supplied with male/female quick coupling for in-line installation.



	LIGHT SOURCE	LED COLOR*	LIGHT BEAM OPTIONS	LUMEN OUTPUT (lm)	LUMINOUS EFFICACY (lm/w)	COLORS OPTIONS
15 WATT 220-240V 50-60HZ ELECTRONIC IP67 4.20 KG UNIT GROSS WEIGHT	SMD 5050 LED	3.000°K WARM-WHITE	90°	300	20.00	GLASS

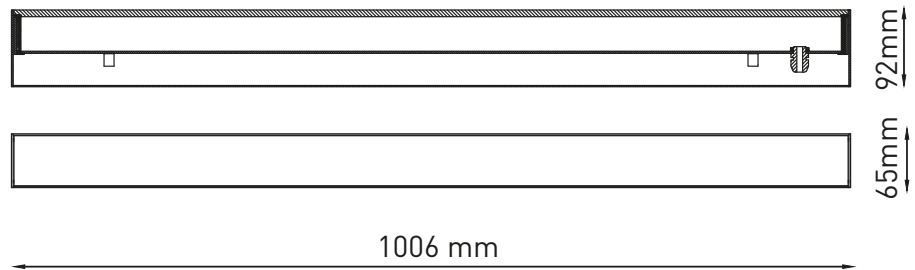
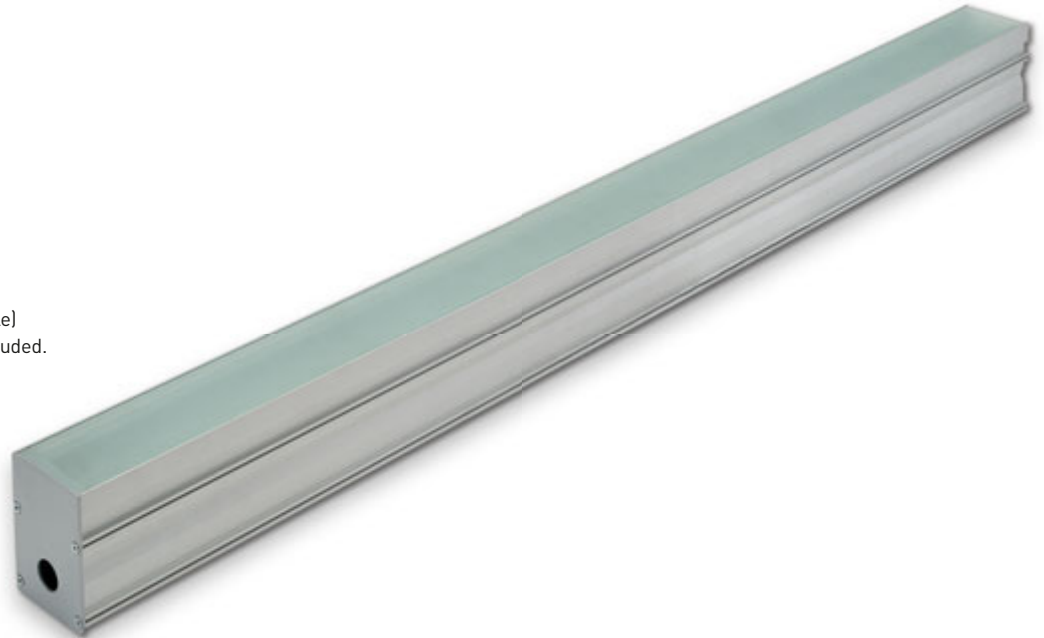


**204001 HYDROLINE VETRO LED**

Linear ground-recessed luminaire for outdoor installation, length 1.000mm, anodized extruded aluminium body, tempered safety glass, moulded silicone gaskets, stainless steel housing for recess. 24V remote driver needed, Low power EPISTAR SMD3528 LED. IP67 rating.

**Energy Label** A++

- Material: high corrosion resistance extruded copper-free aluminum body
- Coating: polyester powder coating with phosphochromating pre-finish
- Stainless steel screws
- Tempered safety glass diffuser.
- Max static weight resistance 3000 Kg
- Protection against impact IK09 (10 joule)
- Stainless steel housing for recess included.
- 1 mt. neoprene power cable included.



	LIGHT SOURCE	LED COLOR*	LIGHT BEAM OPTIONS	LUMEN OUTPUT (lm)	LUMINOUS EFFICACY (lm/w)	COLORS OPTIONS
12 WATT 24V DC REMOTE DRIVER NEEDED IP67 5.00 KG UNIT GROSS WEIGHT	SMD 3528 LED	3.000°K WARM-WHITE	100°	480	40.00	GLASS
		4.000°K NEUTRAL-WHITE	100°	500	40.00	

**REMOTE DRIVER SELECTION**

BRAND	MANUFACTURER CODE	TYPE	WATT	IP RATE	NUMBERS OF FIXTURES
MEANWELL	LPV-20-24	CONSTANT VOLTAGE 24V DC	20W	IP67	1
MEANWELL	LPV-35-24	CONSTANT VOLTAGE 24V DC	35W	IP67	MIN 1 - MAX 2
MEANWELL	LPV-60-24	CONSTANT VOLTAGE 24V DC	60W	IP67	MIN 1 - MAX 4
MEANWELL	LPV-100-24	CONSTANT VOLTAGE 24V DC	100W	IP67	MIN 1 - MAX 7



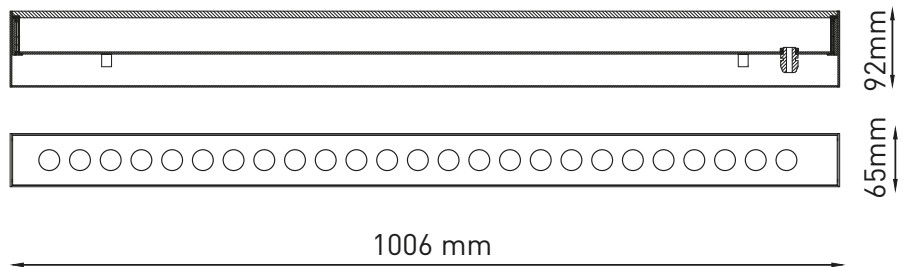
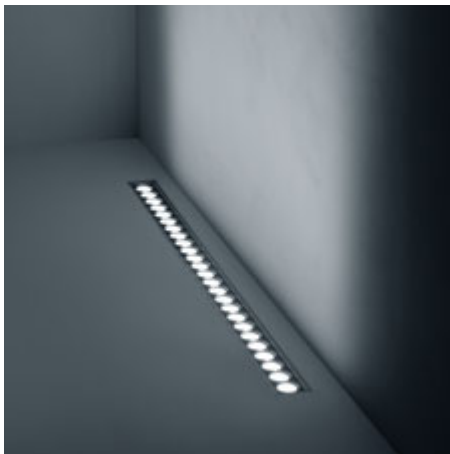


**204002 HYDROLINE VETRO PERFORMANCE LED**

Linear ground-recessed luminaire for outdoor installation, length 1.000mm, anodized extruded aluminium body, tempered safety glass, moulded silicone gaskets, stainless steel housing for recess. 350/500mA remote driver needed, with 25 CREE XP-G3 LED. IP67 rating.

**Energy Label** A++

- Material: high corrosion resistance extruded copper-free aluminum body
- Coating: polyester powder coating with phosphochromating pre-finish
- Stainless steel screws
- Tempered safety glass diffuser.
- Max static weight resistance 3000 Kg
- Protection against impact IK09 (10 joule)
- Stainless steel housing for recess included.
- 1 mt. neoprene power cable included.



37 WATT  
350/500 MA REMOTE DRIVER NEEDED  
IP67  
5.10 KG UNIT GROSS WEIGHT

LIGHT SOURCE	LED COLOR*	LIGHT BEAM OPTIONS	LUMEN OUTPUT (lm)	LUMINOUS EFFICACY (lm/w)	COLORS OPTIONS
HIGH-POWER LED	3.000°K WARM-WHITE	M 10°	3.600	96.00	GLASS
		M 30°	3.420	91.25	
		M 45°	3.249	86.67	
		ASYMMETRIC WALL-WASHER	3.420	91.25	
	4.000°K NEUTRAL-WHITE	M 10°	3.750	100.00	
		M 30°	3.563	95.00	
		M 45°	3.385	90.25	
		ASYMMETRIC WALL-WASHER	3.563	95.00	

**REMOTE DRIVER SELECTION**

BRAND	MANUFACTURER CODE	TYPE	WATT	IP RATE	NUMBERS OF FIXTURES
TCI ITALY	122210	CONSTANT CURRENT 350 MA / 500 MA	40W - 56W	IP20	1
TRIDONIC	87500329	CONSTANT CURRENT 500 MA	65W	IP67	1
TRIDONIC	87500335	CONSTANT CURRENT 500 MA	150W	IP67	MIN 2 - MAX 4







# Underwater



301000 HYDROSCUBA

page. **134**



303000 HYDROPOOL

page. **140**



305000 HYDRODIVE

page. **144**

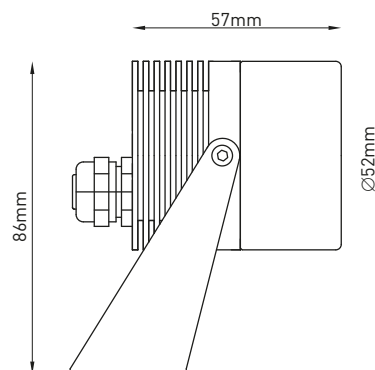
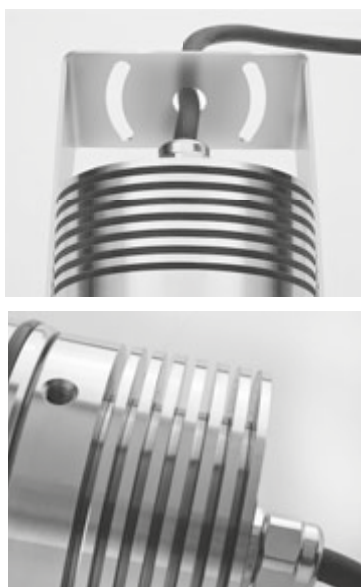


**301001 HYDROSCUBA MICRO LED - SURFACE MOUNTED**

Small underwater projector, surface mounted, completely made in stainless steel AISI 316L, silicone o-rings, 350/500mA remote driver needed, with 1 CREE XP-G3 LED. IP 68 rating.

**Energy Label** A++

- Material: completely made in stainless steel AISI 316 L marine grade
- Stainless steel AISI 316 L marine grade trim.
- NR. 1 x 1.5W CREE "XP-G3" LED
- Stainless steel screws
- Silicone rubber gasket
- Tempered safety glass.
- Protection system IP68 with maximum immersion depth 3 mt.
- M12 cable gland made in stainless steel AISI 316.
- 8 mt. neoprene power cable included
- Adjustable through 200°



1.5 WATT  
REMOTE DRIVER 350/500 MA NEEDED  
IP68 - 3 METERS DEPTH  
1.50 KG UNIT GROSS WEIGHT

LIGHT SOURCE	LED COLOR*	LIGHT BEAM OPTIONS	LUMEN OUTPUT (lm)	LUMINOUS EFFICACY (lm/w)	COLORS OPTIONS
HIGH-POWER LED	3.000°K WARM-WHITE	<b>M</b> 10°	144	96.00	STAINLESS STEEL
		<b>M</b> 30°	137	91.34	
		<b>M</b> 45°	130	86.67	
	4.000°K NEUTRAL-WHITE	<b>M</b> 10°	150	100.00	
		<b>M</b> 30°	143	95.34	
		<b>M</b> 45°	136	90.67	

\* OTHER LIGHT COLORS AVAILABLE ON REQUEST: ● BLUE

**REMOTE DRIVER SELECTION**

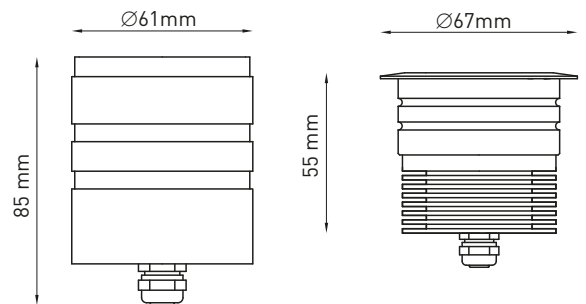
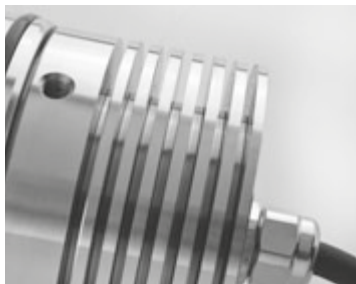
BRAND	MANUFACTURER CODE	TYPE	WATT	IP RATE	NUMBERS OF FIXTURES
TCI ITALY	122086	CONSTANT CURRENT 350 MA	4W	IP20	MIN 1 - MAX 2
TCI ITALY	122204	CONSTANT CURRENT 350 MA / 500 MA	25W - 35W	IP20	MIN 1 - MAX 16
MEANWELL	LPC-20-350	CONSTANT CURRENT 350 MA	16.8W	IP67	MIN 4 - MAX 12
MEANWELL	LPC-20-700	CONSTANT CURRENT 700 MA	21W	IP67	MIN 4 - MAX 8
MEANWELL	LPF-25-48	CONSTANT CURRENT 530 MA	25W	IP67	MIN 10 - MAX 16

**301002 HYDROSCUBA MICRO LED - RECESS**

Small underwater luminaire, wall-recessed, completely made in stainless steel AISI 316L, silicone o-rings, acetal resin housing for recess. 350/500mA remote driver needed, with 1 CREE XP-G3 LED. IP 68 rating.

**Energy Label** A++

- Material: completely made in stainless steel AISI 316 L marine grade
- Stainless steel AISI 316 L marine grade trim.
- NR. 1 x 1.5W CREE "XP-G3" LED
- Stainless steel screws
- Silicone rubber gasket
- Tempered safety glass.
- Protection system IP68 with maximum immersion depth 3 mt.
- M12 cable gland made in stainless steel AISI 316.
- Recess housing made in acetal resin.
- Cable sheath made in PVC.
- 8 mt. neoprene power cable included



1.5 WATT  
REMOTE DRIVER 350/500 MA NEEDED  
IP68 - 3 METERS DEPTH  
1.50 KG UNIT GROSS WEIGHT

LIGHT SOURCE	LED COLOR*	LIGHT BEAM OPTIONS	LUMEN OUTPUT (lm)	LUMINOUS EFFICACY (lm/w)	COLORS OPTIONS
HIGH-POWER LED	3.000°K WARM-WHITE	M 10°	144	96.00	STAINLESS STEEL
		M 30°	137	91.34	
		M 45°	130	86.67	
	4.000°K NEUTRAL-WHITE	M 10°	150	100.00	
		M 30°	143	95.34	
		M 45°	136	90.67	

\* OTHER LIGHT COLORS AVAILABLE ON REQUEST: ● BLUE

**REMOTE DRIVER SELECTION**

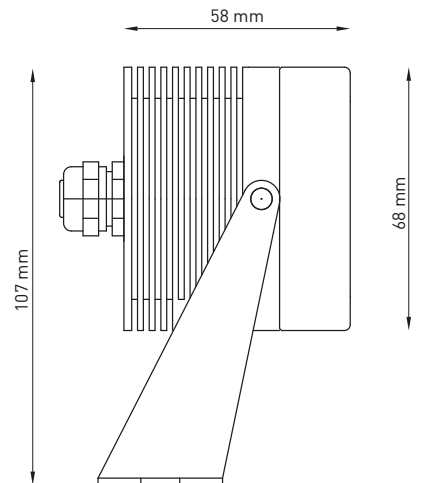
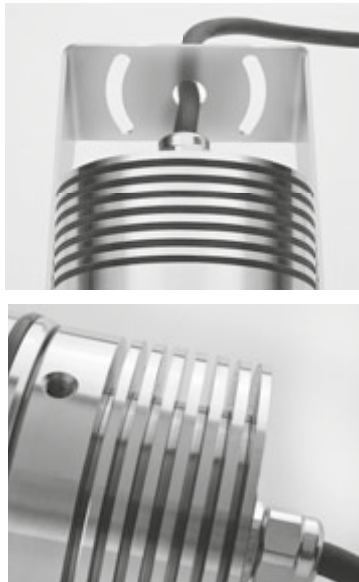
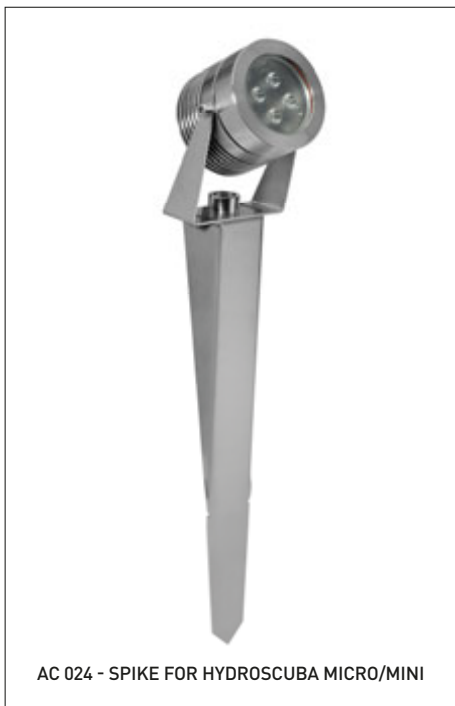
BRAND	MANUFACTURER CODE	TYPE	WATT	IP RATE	NUMBERS OF FIXTURES
TCI ITALY	122086	CONSTANT CURRENT 350 MA	4W	IP20	MIN 1 - MAX 2
TCI ITALY	122204	CONSTANT CURRENT 350 MA / 500 MA	25W - 35W	IP20	MIN 1 - MAX 16
MEANWELL	LPC-20-350	CONSTANT CURRENT 350 MA	16.8W	IP67	MIN 4 - MAX 12
MEANWELL	LPC-20-700	CONSTANT CURRENT 700 MA	21W	IP67	MIN 4 - MAX 8
MEANWELL	LPF-25-48	CONSTANT CURRENT 530 MA	25W	IP67	MIN 10 - MAX 16

**301003 HYDROSCUBA MINI LED – SURFACE MOUNTED**

Small underwater projector, surface mounted, completely made in stainless steel AISI 316L, silicone o-rings, 350/500mA remote driver needed, with 4 CREE XP-G3 LED. IP 68 rating.

**Energy Label** A++

- Material: completely made in stainless steel AISI 316 L marine grade
- Stainless steel AISI 316 L marine grade trim.
- NR. 4 x 1.5W CREE "XP-G3" LED
- Stainless steel screws
- Silicone rubber gasket
- Tempered safety glass.
- Protection system IP68 with maximum immersion depth 3 mt.
- M12 cable gland made in stainless steel AISI 316.
- 8 mt. neoprene power cable included
- Adjustable through 200°



6 WATT  
REMOTE DRIVER 350/500 MA NEEDED  
IP68 – 3 METERS DEPTH  
2.00 KG UNIT GROSS WEIGHT

HIGH-POWER LED	3.000°K WARM-WHITE	10°	576	96.00	STAINLESS STEEL
		30°	548	91.34	
	4.000°K NEUTRAL-WHITE	10°	600	100.00	
		30°	570	95.00	

\* OTHER LIGHT COLORS AVAILABLE ON REQUEST: ● BLUE

**REMOTE DRIVER SELECTION**

BRAND	MANUFACTURER CODE	TYPE	WATT	IP RATE	NUMBERS OF FIXTURES
TCI ITALY	122356	CONSTANT CURRENT 500 MA	12W	IP20	1
TCI ITALY	122204	CONSTANT CURRENT 350 MA / 500 MA	25W - 35W	IP20	MIN 1 - MAX 4
MEANWELL	LPC-20-350	CONSTANT CURRENT 350 MA	16.8W	IP67	MIN 1 - MAX 2
MEANWELL	LPC-20-700	CONSTANT CURRENT 700 MA	21W	IP67	MIN 1 - MAX 2
MEANWELL	LPF-25-48	CONSTANT CURRENT 530 MA	25W	IP67	MIN 3 - MAX 4

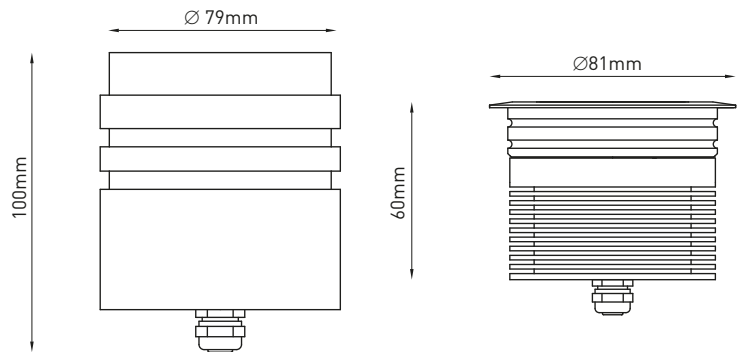
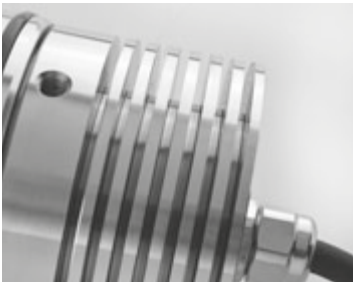


**301004 HYDROSCUBA MINI LED - RECESS**

Small underwater luminaire, wall-recessed, completely made in stainless steel AISI 316L, silicone o-rings, acetal resin housing for recess. 350/500mA remote driver needed, with 4 CREE XP-G3 LED. IP 68 rating.

**Energy Label** **A++**

- Material: completely made in stainless steel AISI 316 L marine grade
- Stainless steel AISI 316 L marine grade trim.
- NR. 4 x 1.5W CREE "XP-G3" LED
- Stainless steel screws
- Silicone rubber gasket
- Tempered safety glass.
- Protection system IP68 with maximum immersion depth 3 mt.
- M12 cable gland made in stainless steel AISI 316.
- Recess housing made in acetal resin.
- Cable sheath made in PVC.
- 8 mt. neoprene power cable included



6 WATT  
REMOTE DRIVER 350/500 MA NEEDED  
IP68 - 3 METERS DEPTH  
2.00 KG UNIT GROSS WEIGHT

LIGHT SOURCE	LED COLOR*	LIGHT BEAM OPTIONS	LUMEN OUTPUT (lm)	LUMINOUS EFFICACY (lm/w)	COLORS OPTIONS
HIGH-POWER LED	● 3.000°K WARM-WHITE	<b>M</b> 10°	576	96.00	■ STAINLESS STEEL
		<b>M</b> 30°	548	91.34	
	○ 4.000°K NEUTRAL-WHITE	<b>M</b> 10°	600	100.00	
		<b>M</b> 30°	570	95.00	

\* OTHER LIGHT COLORS AVAILABLE ON REQUEST: ● BLUE

**REMOTE DRIVER SELECTION**

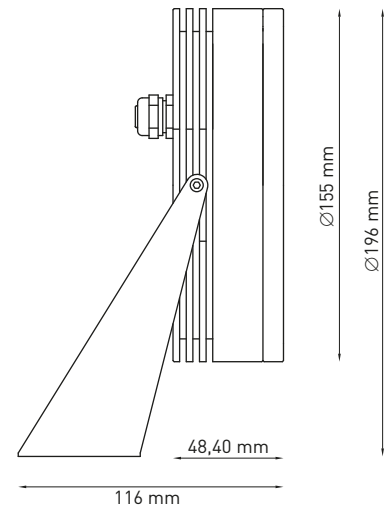
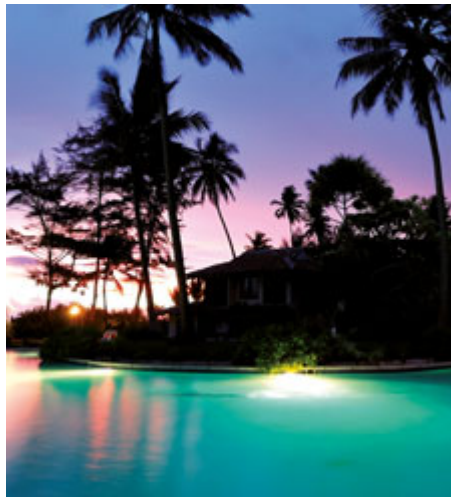
BRAND	MANUFACTURER CODE	TYPE	WATT	IP RATE	NUMBERS OF FIXTURES
TCI ITALY	122356	CONSTANT CURRENT 500 MA	12W	IP20	1
TCI ITALY	122204	CONSTANT CURRENT 350 MA / 500 MA	25W - 35W	IP20	MIN 1 - MAX 4
MEANWELL	LPC-20-350	CONSTANT CURRENT 350 MA	16.8W	IP67	MIN 1 - MAX 2
MEANWELL	LPC-20-700	CONSTANT CURRENT 700 MA	21W	IP67	MIN 1 - MAX 2
MEANWELL	LPF-25-48	CONSTANT CURRENT 530 MA	25W	IP67	MIN 3 - MAX 4

**301005 HYDROSCUBA MEDIUM LED - SURFACE MOUNTED**

Underwater projector, surface mounted, completely made in stainless steel AISI 316L, silicone o-rings, 350/500mA remote driver needed, with 5 CREE XP-G3 LED. IP 68 rating.

**Energy Label** A++

- Material: completely made in stainless steel AISI 316 L marine grade
- Stainless steel AISI 316 L marine grade trim.
- NR. 5 x 1.5W CREE "XP-G3" LED
- Stainless steel screws
- Silicone rubber gasket
- Tempered safety glass.
- Protection system IP68 with maximum immersion depth 3 mt.
- M12 cable gland made in stainless steel AISI 316.
- 8 mt. neoprene power cable included
- Adjustable through 200°



8 WATT  
REMOTE DRIVER 350/500 MA NEEDED  
IP68 - 3 METERS DEPTH  
5.00 KG UNIT GROSS WEIGHT

LIGHT SOURCE	LED COLOR*	LIGHT BEAM OPTIONS	LUMEN OUTPUT (lm)	LUMINOUS EFFICACY (lm/w)	COLORS OPTIONS
HIGH-POWER LED	3.000°K WARM-WHITE	M 10°	720	90.00	STAINLESS STEEL
		M 30°	684	85.50	
		M 45°	650	81.25	
	4.000°K NEUTRAL-WHITE	M 10°	750	93.75	
		M 30°	713	89.13	
		M 45°	677	84.63	

\* OTHER LIGHT COLORS AVAILABLE ON REQUEST: ● BLUE

**REMOTE DRIVER SELECTION**

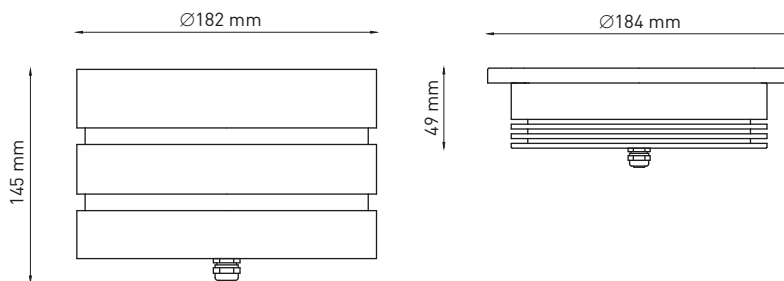
BRAND	MANUFACTURER CODE	TYPE	WATT	IP RATE	NUMBERS OF FIXTURES
TCI ITALY	122356	CONSTANT CURRENT 500 MA	12W	IP20	1
TCI ITALY	122204	CONSTANT CURRENT 350 MA / 500 MA	25W - 35W	IP20	MIN 1 - MAX 3
MEANWELL	LPC-20-350	CONSTANT CURRENT 350 MA	16.8W	IP67	MIN 1 - MAX 2
MEANWELL	LPC-20-700	CONSTANT CURRENT 700 MA	21W	IP67	MIN 1 - MAX 2
MEANWELL	LPF-25-48	CONSTANT CURRENT 530 MA	25W	IP67	MIN 2 - MAX 3

**301006 HYDROSCUBA MEDIUM LED - RECESS**

Underwater luminaire, wall-recessed, completely made in stainless steel AISI 316L, silicone o-rings, acetal resin housing for recess. 350/500mA remote driver needed, with 5 CREE XP-G3 LED. IP 68 rating.

**Energy Label** A++

- Material: completely made in stainless steel AISI 316 L marine grade
- Stainless steel AISI 316 L marine grade trim.
- NR. 5 x 1.5W CREE "XP-G3" LED
- Stainless steel screws
- Silicone rubber gasket
- Tempered safety glass.
- Protection system IP68 with maximum immersion depth 3 mt.
- M12 cable gland made in stainless steel AISI 316.
- Recess housing made in acetal resin.
- Cable sheath made in PVC.
- 8 mt. neoprene power cable included



8 WATT  
REMOTE DRIVER 350/500 MA NEEDED  
IP68 - 3 METERS DEPTH  
5.00 KG UNIT GROSS WEIGHT

LIGHT SOURCE	LED COLOR*	LIGHT BEAM OPTIONS	LUMEN OUTPUT (lm)	LUMINOUS EFFICACY (lm/w)	COLORS OPTIONS
HIGH-POWER LED	3.000°K WARM-WHITE	M 10°	720	90.00	STAINLESS STEEL
		M 30°	684	85.50	
		M 45°	650	81.25	
	4.000°K NEUTRAL-WHITE	M 10°	750	93.75	
		M 30°	713	89.13	
		M 45°	677	84.63	

\* OTHER LIGHT COLORS AVAILABLE ON REQUEST: ● BLUE

**REMOTE DRIVER SELECTION**

BRAND	MANUFACTURER CODE	TYPE	WATT	IP RATE	NUMBERS OF FIXTURES
TCI ITALY	122356	CONSTANT CURRENT 500 MA	12W	IP20	1
TCI ITALY	122204	CONSTANT CURRENT 350 MA / 500 MA	25W - 35W	IP20	MIN 1 - MAX 3
MEANWELL	LPC-20-350	CONSTANT CURRENT 350 MA	16.8W	IP67	MIN 1 - MAX 2
MEANWELL	LPC-20-700	CONSTANT CURRENT 700 MA	21W	IP67	MIN 1 - MAX 2
MEANWELL	LPF-25-48	CONSTANT CURRENT 530 MA	25W	IP67	MIN 2 - MAX 3

**303001 HYDROPOOL MEDIUM LED**

Swimming-pool underwater luminaire, round shape, wall-recessed, completely made in stainless steel AISI 316L, polypropylene housing for recess. 24V remote driver needed, with 6 OSRAM LED. IP 68 rating.

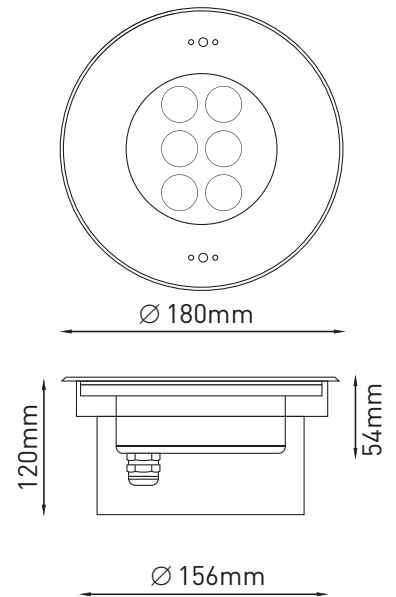
**Energy Label** A++

- Material: completely made in stainless steel AISI 316 L marine grade
- Stainless steel AISI 316 L marine grade trim.
- NR. 6 x 2W OSRAM LED
- Stainless steel screws
- EPDM rubber gasket
- Tempered safety glass.
- Protection system IP68 with maximum immersion depth 1 mt.
- Protection against impact IK08
- PG11 cable gland made in nickel-plated brass.
- Recess housing made in polypropylene.
- 3 mt. neoprene power cable included



**RGB**  
AVAILABLE ON REQUEST

**! THIS LUMINAIRE IS SUITABLE ONLY FOR UNDERWATER INSTALLATION**



	LIGHT SOURCE	LED COLOR*	LIGHT BEAM OPTIONS	LUMEN OUTPUT (lm)	LUMINOUS EFFICACY (lm/w)	COLORS OPTIONS
12 WATT 24V DC REMOTE DRIVER NEEDED IP68 – 1 METER DEPTH 2.00 KG UNIT GROSS WEIGHT	HIGH-POWER LED	3.000°K WARM-WHITE	30°	1.200	100.00	STAINLESS STEEL

**REMOTE DRIVER SELECTION**

BRAND	MANUFACTURER CODE	TYPE	WATT	IP RATE	NUMBERS OF FIXTURES
MEANWELL	LPV-20-24	CONSTANT VOLTAGE 24V DC	20W	IP67	1
MEANWELL	LPV-35-24	CONSTANT VOLTAGE 24V DC	35W	IP67	MIN 1 - MAX 2
MEANWELL	LPV-60-24	CONSTANT VOLTAGE 24V DC	60W	IP67	MIN 1 - MAX 4
MEANWELL	LPV-100-24	CONSTANT VOLTAGE 24V DC	100W	IP67	MIN 1 - MAX 7

**303002 HYDROPOOL MAXI LED**

Swimming-pool underwater luminaire, round shape, wall-recessed, completely made in stainless steel AISI 316L, polypropylene housing for recess. 24V remote driver needed, with 12 OSRAM LED. IP 68 rating.

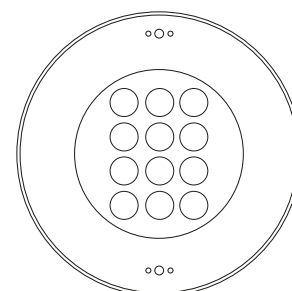
**Energy Label** A++

- Material: completely made in stainless steel AISI 316 L marine grade
- Stainless steel AISI 316 L marine grade trim.
- NR. 12 x 2W OSRAM LED
- Stainless steel screws
- EPDM rubber gasket
- Tempered safety glass.
- Protection system IP68 with maximum immersion depth 1 mt.
- Protection against impact IK08
- PG11 cable gland made in nickel-plated brass.
- Recess housing made in polypropylene.
- 3 mt. neoprene power cable included

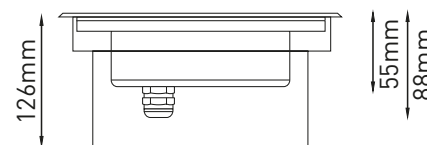


AVAILABLE ON REQUEST

**! THIS LUMINAIRE IS SUITABLE ONLY FOR UNDERWATER INSTALLATION**



Ø 205mm



Ø 169mm



	LIGHT SOURCE	LED COLOR*	LIGHT BEAM OPTIONS	LUMEN OUTPUT (lm)	LUMINOUS EFFICACY (lm/w)	COLORS OPTIONS
24 WATT 24V DC REMOTE DRIVER NEEDED IP68 – 1 METER DEPTH 2.50 KG UNIT GROSS WEIGHT	HIGH-POWER LED	3.000°K WARM-WHITE	30°	2.000	83.34	STAINLESS STEEL

**REMOTE DRIVER SELECTION**

BRAND	MANUFACTURER CODE	TYPE	WATT	IP RATE	NUMBERS OF FIXTURES
MEANWELL	LPV-35-24	CONSTANT VOLTAGE 24V DC	35W	IP67	1
MEANWELL	LPV-60-24	CONSTANT VOLTAGE 24V DC	60W	IP67	MIN 1 - MAX 2
MEANWELL	LPV-100-24	CONSTANT VOLTAGE 24V DC	100W	IP67	MIN 1 - MAX 3

**303003 HYDROPOOL MEGA LED**

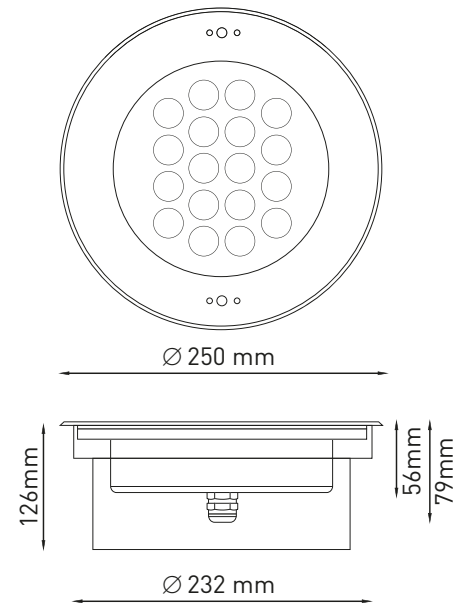
Swimming-pool underwater luminaire, round shape, wall-recessed, completely made in stainless steel AISI 316L, polypropylene housing for recess. 24V remote driver needed, with 18 OSRAM LED. IP 68 rating.

**Energy Label** A++

- Material: completely made in stainless steel AISI 316 L marine grade
- Stainless steel AISI 316 L marine grade trim.
- NR. 18 x 2W OSRAM LED
- Stainless steel screws
- EPDM rubber gasket
- Tempered safety glass.
- Protection system IP68 with maximum immersion depth 1 mt.
- Protection against impact IK08
- PG11 cable gland made in nickel-plated brass.
- Recess housing made in polypropylene.
- 3 mt. neoprene power cable included



**! THIS LUMINAIRE IS SUITABLE ONLY FOR UNDERWATER INSTALLATION**



	LIGHT SOURCE	LED COLOR*	LIGHT BEAM OPTIONS	LUMEN OUTPUT (lm)	LUMINOUS EFFICACY (lm/w)	COLORS OPTIONS
36 WATT 24V DC REMOTE DRIVER NEEDED IP68 – 1 METER DEPTH 3.80 KG UNIT GROSS WEIGHT	HIGH-POWER LED	3.000°K WARM-WHITE	M 30°	2.900	80.56	STAINLESS STEEL

REMOTE DRIVER SELECTION						
BRAND	MANUFACTURER CODE	TYPE	WATT	IP RATE	NUMBERS OF FIXTURES	
MEANWELL	LPV-60-24	CONSTANT VOLTAGE 24V DC	60W	IP67	1	
MEANWELL	LPV-100-24	CONSTANT VOLTAGE 24V DC	100W	IP67	MIN 1 - MAX 2	



**305001 HYDRODIVE MINI LED**

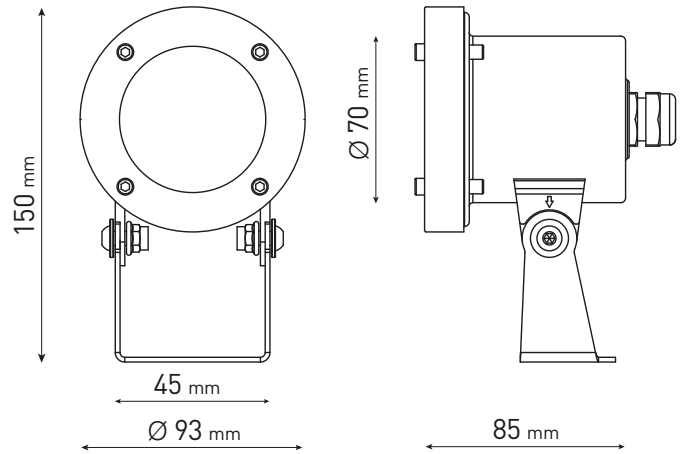
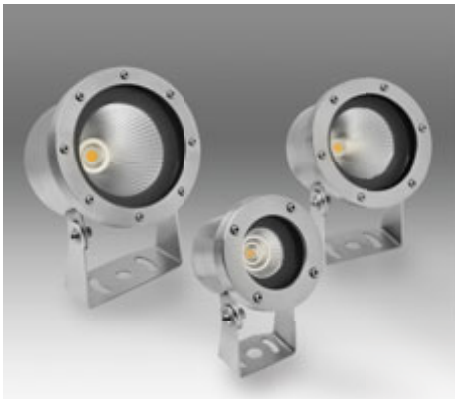
Underwater projector, surface mounted, completely made in stainless steel AISI 316L, silicone gasket, 24V DC remote driver needed, with 1 x COB LED. IP 68 rating.

**Energy Label** A++

- Material: completely made in stainless steel AISI 316 L marine grade
- NR. 1x8W COB LED
- Stainless steel screws
- Silicone rubber gasket
- Tempered safety glass.
- Protection system IP68 with maximum immersion depth 1 mt.
- PG11 Cable gland made copper with nickel-coated
- 3 mt. neoprene power cable included



**!** THIS LUMINAIRE IS SUITABLE ONLY FOR UNDERWATER INSTALLATION



	LIGHT SOURCE	LED COLOR*	LIGHT BEAM OPTIONS	LUMEN OUTPUT (lm)	LUMINOUS EFFICACY (lm/w)	COLORS OPTIONS
8 WATT 24V DC DRIVER NEEDED IP68 – 1 METERS DEPTH 1,10 KG UNIT GROSS WEIGHT	COB LED	3.000°K WARM-WHITE	M 30°	607	75.87	STAINLESS STEEL

**REMOTE DRIVER SELECTION**

BRAND	MANUFACTURER CODE	TYPE	WATT	IP RATE	NUMBERS OF FIXTURES
MEANWELL	LPV-20-24	CONSTANT VOLTAGE 24V DC	20W	IP67	MIN 1 – MAX 2
MEANWELL	LPV-35-24	CONSTANT VOLTAGE 24V DC	35W	IP67	MIN 1 – MAX 3
MEANWELL	LPV-60-24	CONSTANT VOLTAGE 24V DC	60W	IP67	MIN 1 – MAX 6



**305002 HYDRODIVE MEDIUM LED**

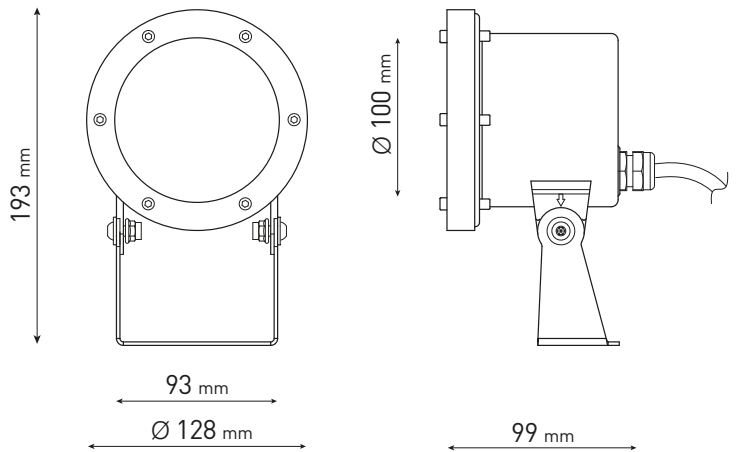
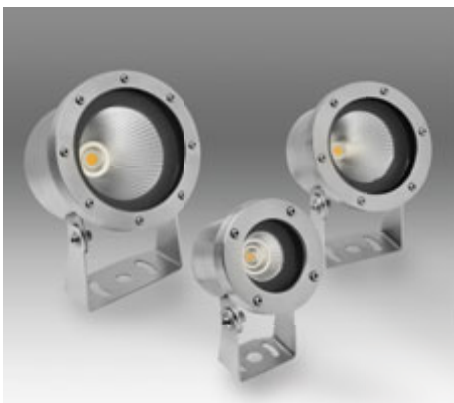
Underwater projector, surface mounted, completely made in stainless steel AISI 316L, silicone gasket, 24V DC remote driver needed, with 1 x COB LED. IP 68 rating.

**Energy Label** A++

- Material: completely made in stainless steel AISI 316 L marine grade
- NR. 1x16W COB LED
- Stainless steel screws
- Silicone rubber gasket
- Tempered safety glass.
- Protection system IP68 with maximum immersion depth 1 mt.
- PG11 Cable gland made copper with nickel-coated
- 3 mt. neoprene power cable included



**! THIS LUMINAIRE IS SUITABLE ONLY FOR UNDERWATER INSTALLATION**



	LIGHT SOURCE	LED COLOR*	LIGHT BEAM OPTIONS	LUMEN OUTPUT (lm)	LUMINOUS EFFICACY (lm/w)	COLORS OPTIONS
16 WATT 24V DC DRIVER NEEDED IP68 - 1 METERS DEPTH 1,60 KG UNIT GROSS WEIGHT	COB LED	3.000°K WARM-WHITE	M 30°	1.183	73.94	STAINLESS STEEL

REMOTE DRIVER SELECTION						
BRAND	MANUFACTURER CODE	TYPE	WATT	IP RATE	NUMBERS OF FIXTURES	
MEANWELL	LPV-20-24	CONSTANT VOLTAGE 24V DC	20W	IP67	1	
MEANWELL	LPV-60-24	CONSTANT VOLTAGE 24V DC	60W	IP67	MIN 1 - MAX 3	

**305003 HYDRODIVE MAXI LED**

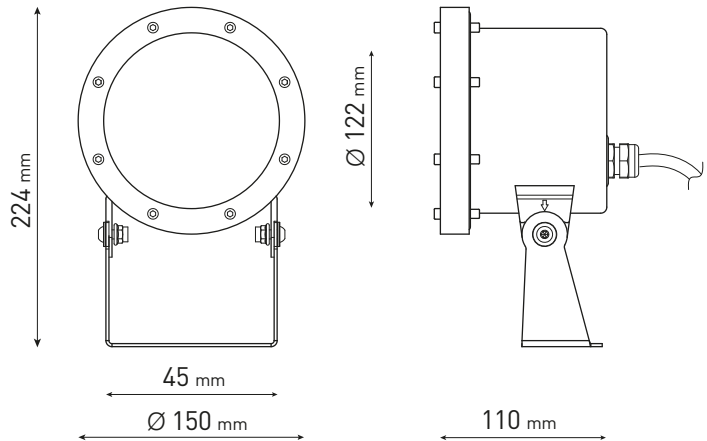
Underwater projector, surface mounted, completely made in stainless steel AISI 316L, silicone gasket, 24V DC remote driver needed, with 1 x COB LED. IP 68 rating.

**Energy Label** A++

- Material: completely made in stainless steel AISI 316 L marine grade
- NR. 1x20W COB LED
- Stainless steel screws
- Silicone rubber gasket
- Tempered safety glass.
- Protection system IP68 with maximum immersion depth 1 mt.
- PG11 Cable gland made copper with nickel-coated
- 3 mt. neoprene power cable included



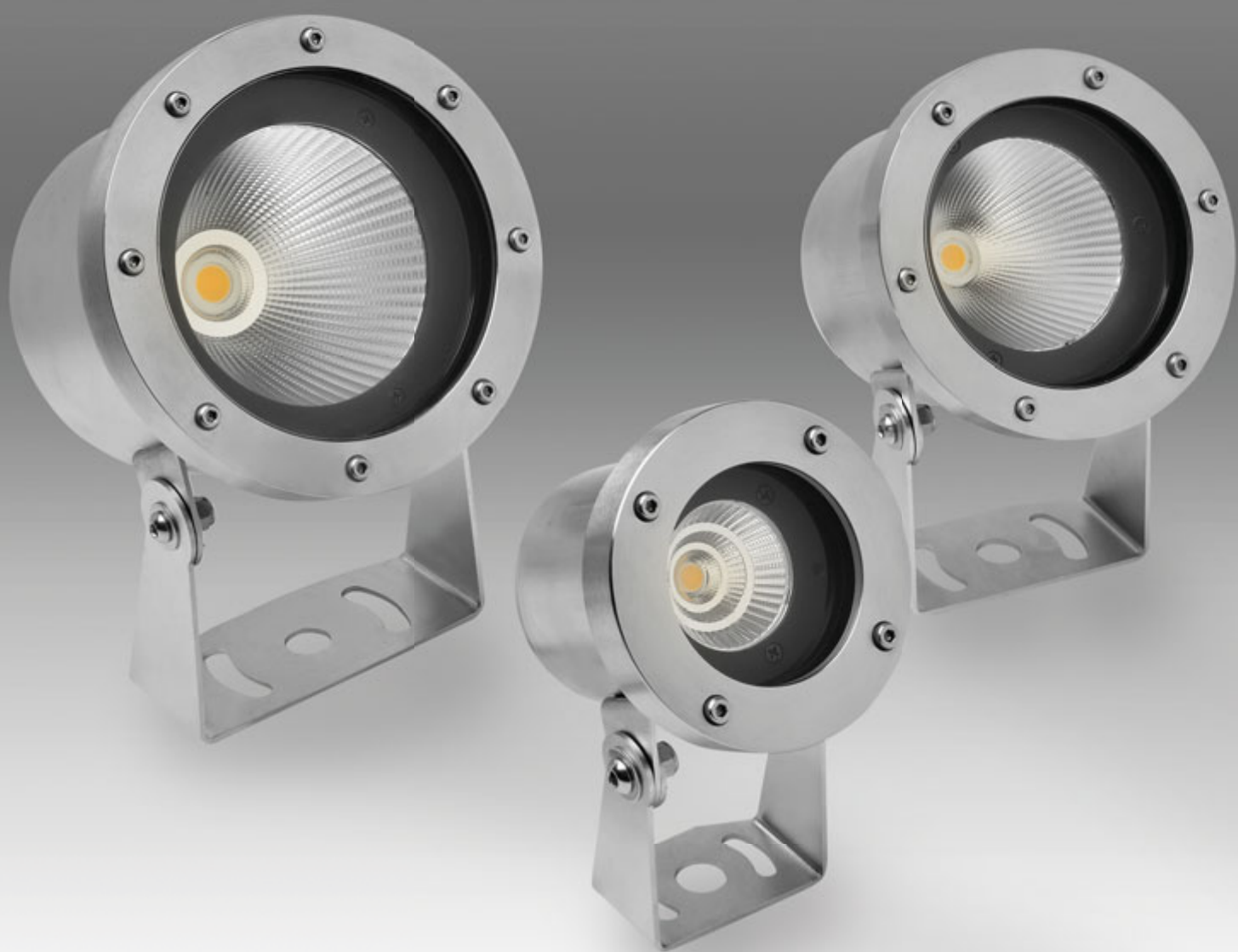
**!** THIS LUMINAIRE IS SUITABLE ONLY FOR UNDERWATER INSTALLATION



	LIGHT SOURCE	LED COLOR*	LIGHT BEAM OPTIONS	LUMEN OUTPUT (lm)	LUMINOUS EFFICACY (lm/w)	COLORS OPTIONS
20 WATT 24V DC DRIVER NEEDED IP68 – 1 METERS DEPTH 2,00 KG UNIT GROSS WEIGHT	COB LED	3.000°K WARM-WHITE	M 30°	1.478	73.90	STAINLESS STEEL

**REMOTE DRIVER SELECTION**

BRAND	MANUFACTURER CODE	TYPE	WATT	IP RATE	NUMBERS OF FIXTURES
MEANWELL	LPV-35-24	CONSTANT VOLTAGE 24V DC	35W	IP67	1
MEANWELL	LPV-60-24	CONSTANT VOLTAGE 24V DC	60W	IP67	MIN 1 - MAX 2
MEANWELL	LPV-100-24	CONSTANT VOLTAGE 24V DC	100W	IP67	MIN 1 - MAX 4






















CAFE ONTBIJT





# Wall Mounting

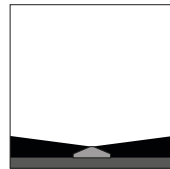
	401100 HYDROWAVE	page. <b>150</b>
	401000 HYDROTECH	page. <b>152</b>
	401900 HYDROTECH STEEL	page. <b>152</b>
	401700 HYDROECLIPSE	page. <b>171</b>
	401600 HYDROSURF	page. <b>186</b>
	402100 HYDROCOVE	page. <b>196</b>
	401800 HYDROFLEX	page. <b>198</b>
	402000 HYDROBRACKET	page. <b>206</b>
	403000 HYDROLINE-B	page. <b>214</b>
	402400 HYDROHORIZON	page. <b>222</b>
	402200 HYDROCUBE	page. <b>228</b>
	404000 HYDROSPLIT	page. <b>230</b>
	405000 HYDROLED	page. <b>232</b>
	402300 HYDROPLAFO	page. <b>238</b>
	401400 HYDROMASK	page. <b>241</b>
	406000 HYDROTARGET	page. <b>242</b>
	401300 HYDRODISK	page. <b>245</b>

**401101 HYDROWAVE LED**

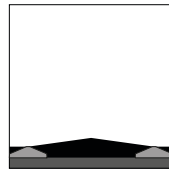
Surface mounted luminaire for outdoor installation on window sill, with asymmetric 8°x170° "window-washer" light distribution. Phospho-chromatised and polyester powder coated die-cast copper-free aluminium body, tempered safety glass, moulded silicone gasket and stainless steel screws. Built-in LED driver 220-240V 50-60Hz, with 2 x 1 CREE LED. IP65 rating.

**Energy Label** A++

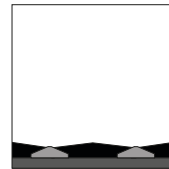
- Material: high corrosion resistance die-cast copper-free aluminum body
- Coating: polyester powder coating with phosphochromating pre-finish
- NR. 2 x 3W CREE "XP-G" LED
- Electronic transformer 220/240V 50/60Hz included
- Stainless steel screws
- Silicone rubber gasket
- Tempered safety glass
- 1 mt. neoprene power cable included



170°  
SINGLE INSTALLATION, IN THE MIDDLE: SUGGESTED FOR SMALL / MEDIUM SIZE WINDOWS



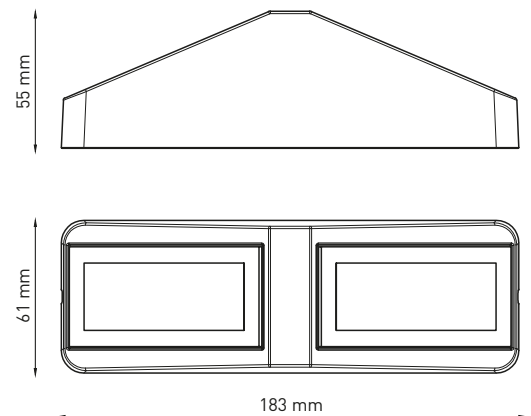
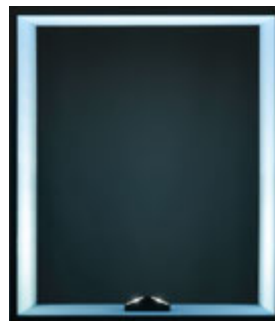
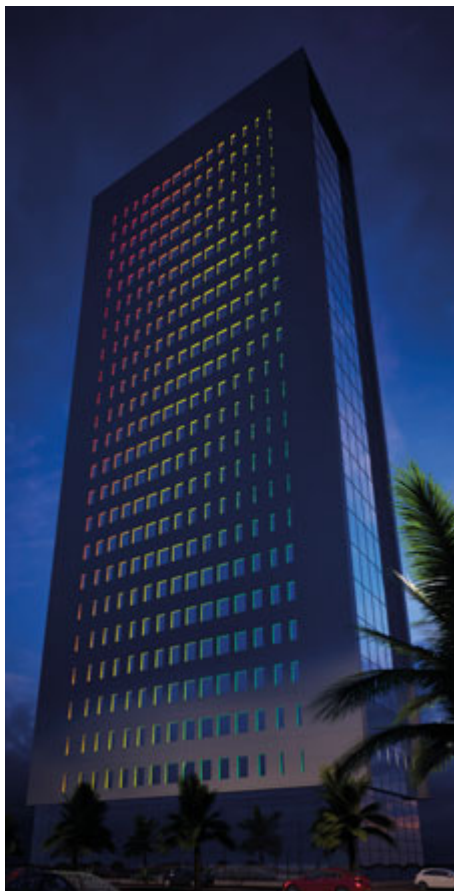
170°  
DOUBLE INSTALLATION, ON BOTH SIDES: SUGGESTED IN CASE OF HIGH LIGHTING PERFORMANCE NEEDED



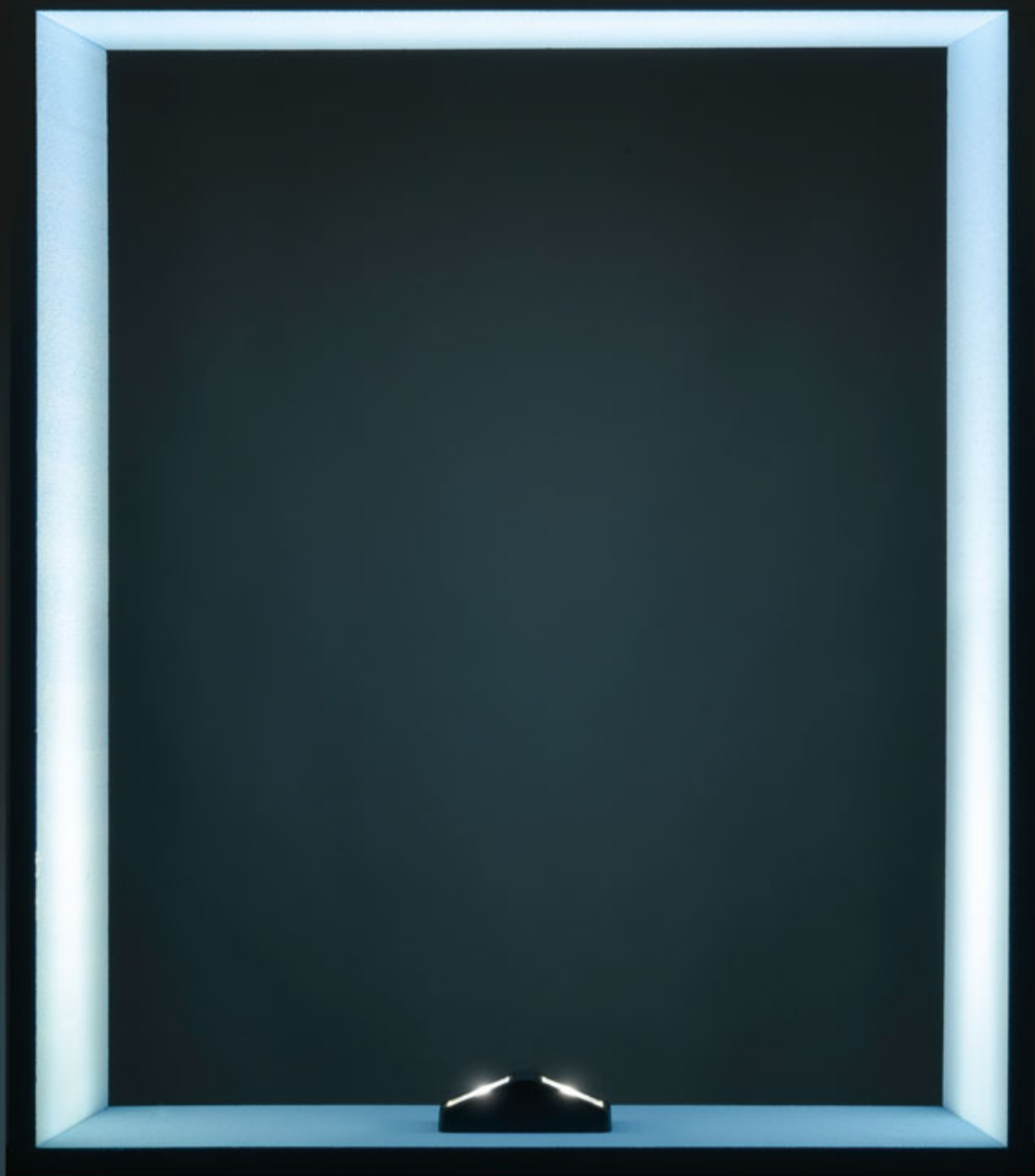
170°  
DOUBLE INSTALLATION, IN THE MIDDLE: SUGGESTED FOR BIG SIZE WINDOWS.



SIDE KNOCKOUT FOR CABLE



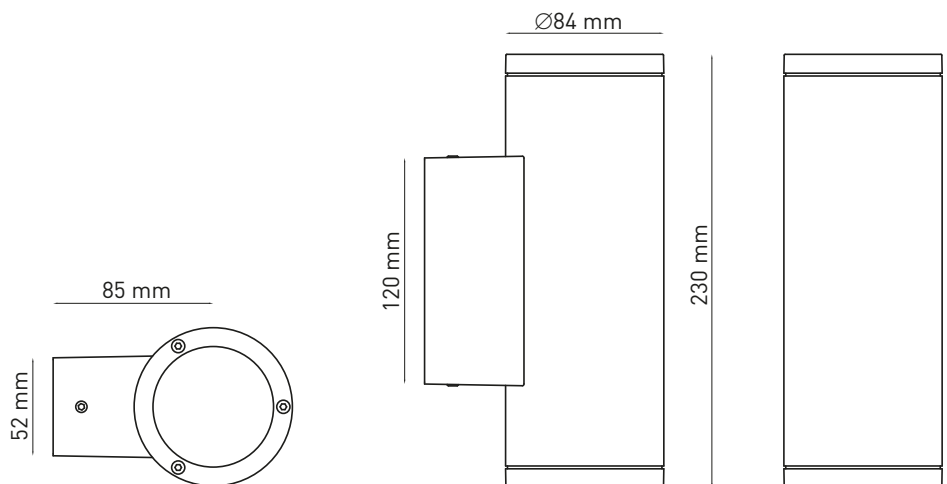
	LIGHT SOURCE	LED COLOR*	LIGHT BEAM OPTIONS	LUMEN OUTPUT (lm)	LUMINOUS EFFICACY (lm/w)	COLORS OPTIONS
6 WATT 220-240V 50-60HZ ELECTRONIC IP65 0,65 KG UNIT GROSS WEIGHT	HIGH-POWER LED	3.000°K WARM-WHITE	8° X 170°	350	58.00	TEXTURED GREY




**401001L HYDROTECH MINI 02 ROUND GU10**

Round up&down luminaire for outdoor installation on a façade/wall. Phosphochromatised and polyester powder coated die-cast copper-free aluminium body, tempered safety glass, moulded silicone gasket and stainless steel screws. GU10 LED / halogen. IP65 rating.

- Material: high corrosion resistance die-cast copper-free aluminum body
- Coating: polyester powder coating with phosphochromating pre-finish
- Double GU10 base, MAX 50W
- Stainless steel screws
- Silicone rubber gasket
- Tempered safety glass.



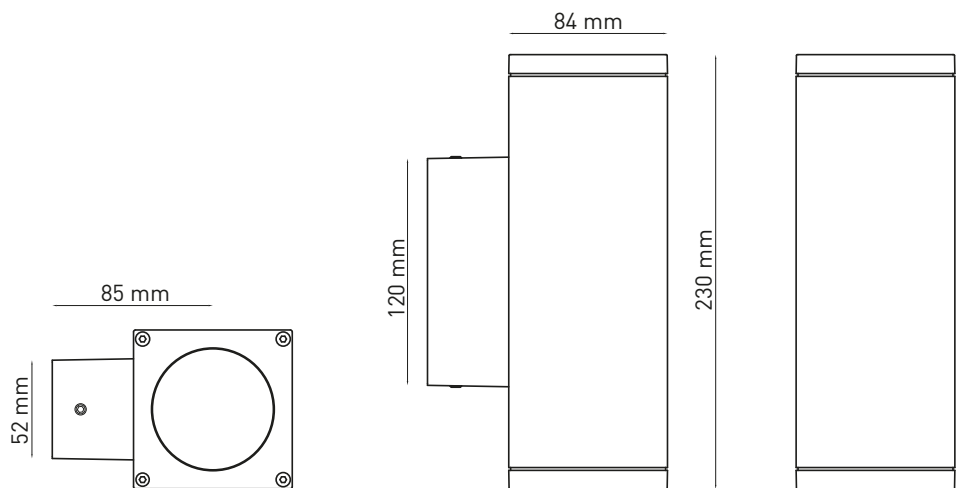
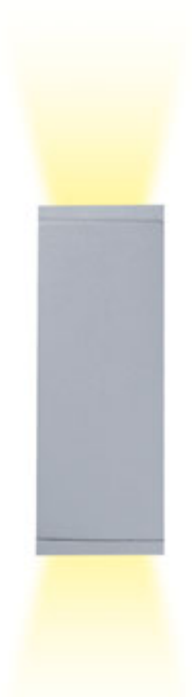
	LIGHT SOURCE	LIGHT COLOR	LIGHT BEAM OPTIONS	COLORS OPTIONS
50 WATT MAX 220-240V 50-60HZ IP65 1.30 KG UNIT GROSS WEIGHT	 GU10 LED / HALOGEN	SEE BULB FEATURES	SEE BULB FEATURES	■ TEXTURED GREY □ MATT WHITE (ON REQUEST) ■ MATT BLACK (ON REQUEST)




**401002L HYDROTECH MINI 02 SQUARE GU10**

Square up&down luminaire for outdoor installation on a façade/wall. Phosphochromatised and polyester powder coated die-cast copper-free aluminium body, tempered safety glass, moulded silicone gasket and stainless steel screws. GU10 LED / halogen. IP65 rating.

- Material: high corrosion resistance die-cast copper-free aluminum body
- Coating: polyester powder coating with phosphochromating pre-finish
- Double GU10 base, MAX 50W
- Stainless steel screws
- Silicone rubber gasket
- Tempered safety glass.



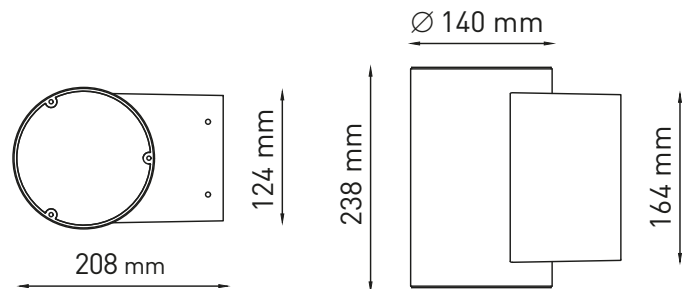
	LIGHT SOURCE	LIGHT COLOR	LIGHT BEAM OPTIONS	COLORS OPTIONS
50 WATT MAX 220-240V 50-60HZ IP65 1.40 KG UNIT GROSS WEIGHT	 GU10 LED / HALOGEN	SEE BULB FEATURES	SEE BULB FEATURES	■ TEXTURED GREY □ MATT WHITE (ON REQUEST) ■ MATT BLACK (ON REQUEST)


**401013 HYDROTECH MEDIUM 01 ROUND G12**

Round wall mounted luminaire for outdoor installation on a façade/wall, with light distribution downward only. Phospho-chromatised and polyester powder coated die-cast copper-free aluminium body, tempered safety glass, moulded silicone gasket and stainless steel screws. Built-in electronic ballast 220-240V 50-60Hz, 1 x G12 35W or 70W metal halide. IP65 rating.

**Energy Label** A++

- Material: high corrosion resistance die-cast copper-free aluminum body
- Coating: polyester powder coating with phosphochromating pre-finish
- HIT CRI 35W G12 or HIT CRI 70W G12.
- Electronic ballast 220/240V 50/60Hz included.
- Stainless steel screws.
- Silicone rubber gasket.
- Tempered safety glass.
- M20 rubber grommet Rutaseal® in EPDM



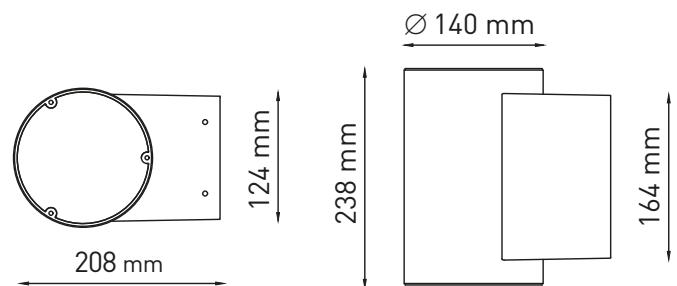
	LIGHT SOURCE	LIGHT COLOR	LIGHT BEAM OPTIONS	COLORS OPTIONS
35 WATT   70 WATT 220-240V 50-60HZ ELECTRONIC IP65 5.00 KG UNIT GROSS WEIGHT	HIT-TC CRI 35W OR 70W G12	SEE BULB FEATURES	 40° FLOOD	■ TEXTURED GREY □ MATT WHITE <i>(ON REQUEST)</i> ■ MATT BLACK <i>(ON REQUEST)</i>

**401004 HYDROTECH MEDIUM 02 ROUND LED**

Round up&down luminaire for outdoor installation on a façade/wall. Phosphochromatised and polyester powder coated die-cast copper-free aluminium body, tempered safety glass, moulded silicone gasket and stainless steel screws. Built-in LED driver 220-240V 50-60Hz, with 2 x 5 CREE XP-G3 LED. IP65 rating.

**Energy Label** A++

- Material: high corrosion resistance die-cast copper-free aluminum body
- Coating: polyester powder coating with phosphochromating pre-finish
- NR. 5 x 1.5W CREE "XP-G3" LED up and NR. 5 x 1.5W CREE "XP-G3" LED down.
- Electronic transformer 220/240V 50/60Hz included
- Stainless steel screws.
- Silicone rubber gasket.
- Tempered safety glass.
- M20 rubber grommet Rutaseal® in EPDM
- Adjustable +/- 15 degrees.



2X8 WATT  
220-240V 50-60HZ ELECTRONIC  
IP65  
3.00 KG UNIT GROSS WEIGHT

LIGHT SOURCE	LED COLOR*	LIGHT BEAM OPTIONS	LUMEN OUTPUT (lm)	LUMINOUS EFFICACY (lm/w)	COLORS OPTIONS
HIGH-POWER LED	3.000°K WARM-WHITE	M 10°	2 X 720	90.00	■ TEXTURED GREY
		M 30°	2 X 684	85.50	
		M 45°	2 X 650	81.25	□ MATT WHITE (ON REQUEST)
	4.000°K NEUTRAL-WHITE	M 10°	2 X 750	93.75	■ MATT BLACK (ON REQUEST)
		M 30°	2 X 713	89.13	
		M 45°	2 X 677	84.63	

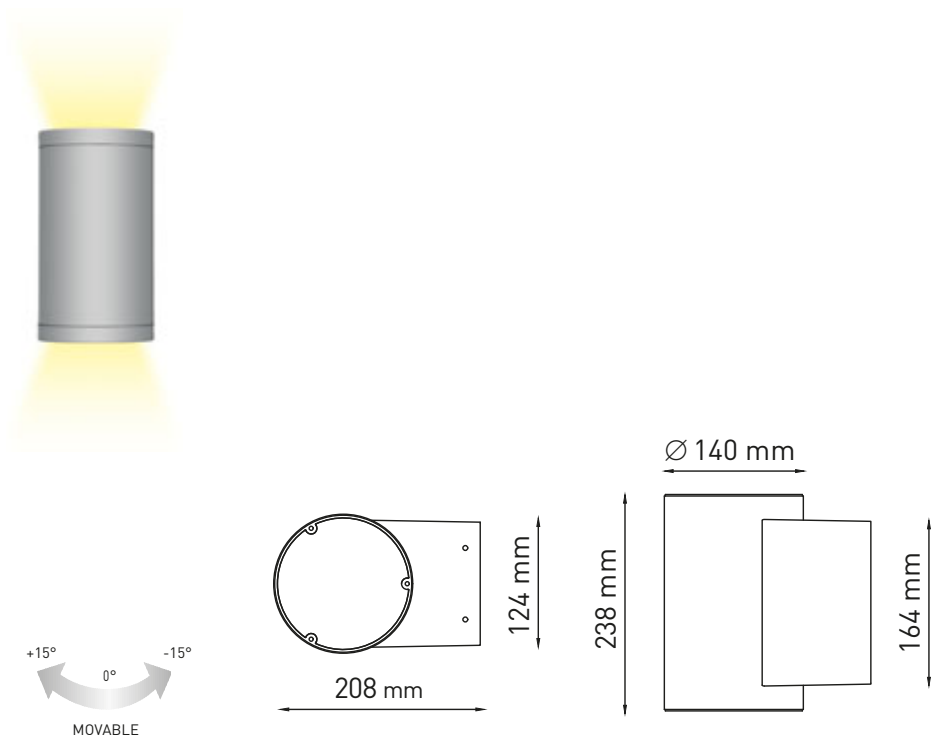
\* OTHER LIGHT COLORS AVAILABLE ON REQUEST: ● BLUE





**401016 HYDROTECH MEDIUM 02 ROUND PRO LED**

Round up&down luminaire for outdoor installation on a façade/wall. Phosphochromatised and polyester powder coated die-cast copper-free aluminium body, tempered safety glass, moulded silicone gasket and stainless steel screws. Built-in LED driver 220-240V 50-60Hz, with 2 x 5 CREE XP-L LED. IP65 rating.

**Energy Label** A++

- Material: high corrosion resistance die-cast copper-free aluminum body
- Coating: polyester powder coating with phosphochromating pre-finish
- NR. 5 CREE "XP-L" LED up and NR. 5 CREE "XP-L" LED down.
- Electronic transformer 220/240V 50/60Hz included
- Stainless steel screws.
- Silicone rubber gasket.
- Tempered safety glass.
- M20 rubber grommet Rutaseal® in EPDM
- Adjustable +/- 15 degrees.



	LIGHT SOURCE	LED COLOR*	LIGHT BEAM OPTIONS	LUMEN OUTPUT (lm)	LUMINOUS EFFICACY (lm/w)	COLORS OPTIONS
2X14 WATT 220-240V 50-60HZ ELECTRONIC IP65 3.00 KG UNIT GROSS WEIGHT	HIGH-POWER LED	 3.000°K WARM-WHITE	 10°	2 X 1.300	92.86	■ TEXTURED GREY □ MATT WHITE (ON REQUEST) ■ MATT BLACK (ON REQUEST)
			 30°	2 X 1.230	87.86	
			 45°	2 X 1.170	83.57	

\* OTHER LIGHT COLORS AVAILABLE ON REQUEST: ○ 4.000°K NEUTRAL-WHITE

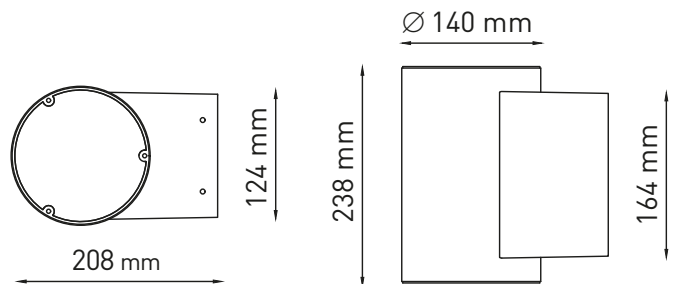
**401012 HYDROTECH MEDIUM 01 ROUND LED**

Round wall mounted luminaire for outdoor installation on a façade/wall, with light distribution downward only. Phospho-chromatised and polyester powder coated die-cast copper-free aluminium body, tempered safety glass, moulded silicone gasket and stainless steel screws. Built-in LED driver 220-240V 50-60Hz, with 5 CREE XP-G3 LED. IP65 rating.

**Energy Label** A++

- Material: high corrosion resistance die-cast copper-free aluminum body
- Coating: polyester powder coating with phosphochromating pre-finish
- NR. 5 x 1.5W CREE "XP-G3" LED down.
- Electronic transformer 220/240V 50/60Hz included
- Stainless steel screws.
- Silicone rubber gasket.
- Tempered safety glass.
- M20 rubber grommet Rutaseal® in EPDM
- Adjustable +/- 15 degrees.

**FullRGB**  
AVAILABLE ON REQUEST



8 WATT  
220-240V 50-60HZ ELECTRONIC  
IP65  
3.00 KG UNIT GROSS WEIGHT

LIGHT SOURCE	LED COLOR*	LIGHT BEAM OPTIONS	LUMEN OUTPUT (lm)	LUMINOUS EFFICACY (lm/w)	COLORS OPTIONS
HIGH-POWER LED	3.000°K WARM-WHITE	M 10°	720	90.00	<input type="checkbox"/> TEXTURED GREY  <input type="checkbox"/> MATT WHITE (ON REQUEST)  <input checked="" type="checkbox"/> MATT BLACK (ON REQUEST)
		M 30°	684	85.50	
		M 45°	650	81.25	
	4.000°K NEUTRAL-WHITE	M 10°	750	93.75	
		M 30°	713	89.13	
		M 45°	677	84.63	

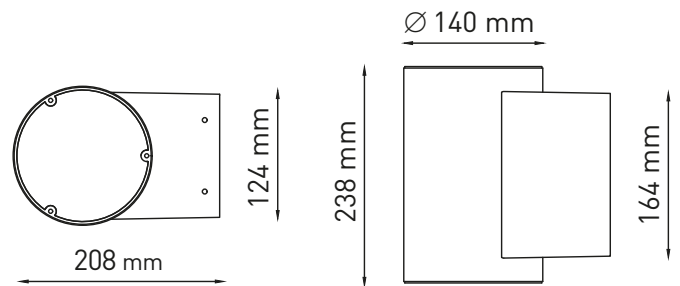
\* OTHER LIGHT COLORS AVAILABLE ON REQUEST: ● BLUE





**401017 HYDROTECH MEDIUM 01 ROUND PRO LED**

Round wall mounted luminaire for outdoor installation on a façade/wall, with light distribution downward only. Phospho-chromatised and polyester powder coated die-cast copper-free aluminium body, tempered safety glass, moulded silicone gasket and stainless steel screws. Built-in LED driver 220-240V 50-60Hz, with 5 CREE XP-L LED. IP65 rating.

**Energy Label** A++

- Material: high corrosion resistance die-cast copper-free aluminum body
- Coating: polyester powder coating with phosphochromating pre-finish
- NR. 5 CREE "XP-L" LED down.
- Electronic transformer 220/240V 50/60Hz included
- Stainless steel screws.
- Silicone rubber gasket.
- Tempered safety glass.
- M20 rubber grommet Rutaseal® in EPDM
- Adjustable +/- 15 degrees.



	LIGHT SOURCE	LED COLOR*	LIGHT BEAM OPTIONS	LUMEN OUTPUT (lm)	LUMINOUS EFFICACY (lm/w)	COLORS OPTIONS
14 WATT 220-240V 50-60HZ ELECTRONIC IP65 3.00 KG UNIT GROSS WEIGHT	HIGH-POWER LED	 3.000°K WARM-WHITE	 10°	1.300	92.86	■ TEXTURED GREY □ MATT WHITE (ON REQUEST) ■ MATT BLACK (ON REQUEST)
			 30°	1.230	87.86	
			 45°	1.170	83.57	

\* OTHER LIGHT COLORS AVAILABLE ON REQUEST: ○ 4.000°K NEUTRAL-WHITE

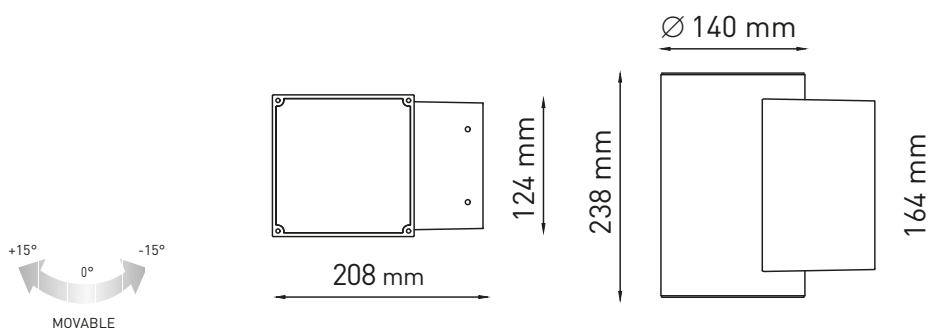
**401006 HYDROTECH MEDIUM 02 SQUARE LED**

Square up&down luminaire for outdoor installation on a façade/wall. Phosphochromatised and polyester powder coated die-cast copper-free aluminium body, tempered safety glass, moulded silicone gasket and stainless steel screws. Built-in LED driver 220-240V 50-60Hz, with 2 x 5 CREE XP-G3 LED. IP65 rating.

**Energy Label** A++

- Material: high corrosion resistance die-cast copper-free aluminum body
- Coating: polyester powder coating with phosphochromating pre-finish
- NR. 5 x 1.5W CREE "XP-G3" LED up and NR. 5 x 1.5W CREE "XP-G3" LED down.
- Electronic transformer 220/240V 50/60Hz included
- Stainless steel screws.
- Silicone rubber gasket.
- Tempered safety glass.
- M20 rubber grommet Rutaseal® in EPDM
- Adjustable +/- 15 degrees.

**FullRGB**  
AVAILABLE ON REQUEST



2X8 WATT  
220-240V 50-60HZ ELECTRONIC  
IP65  
3.00 KG UNIT GROSS WEIGHT

LIGHT SOURCE	LED COLOR*	LIGHT BEAM OPTIONS	LUMEN OUTPUT (lm)	LUMINOUS EFFICACY (lm/w)	COLORS OPTIONS
HIGH-POWER LED	3.000°K WARM-WHITE	M 10°	2 X 720	90.00	■ TEXTURED GREY
		M 30°	2 X 684	85.50	
		M 45°	2 X 650	81.25	□ MATT WHITE (ON REQUEST)
	4.000°K NEUTRAL-WHITE	M 10°	2 X 750	93.75	■ MATT BLACK (ON REQUEST)
		M 30°	2 X 713	89.13	
		M 45°	2 X 677	84.63	

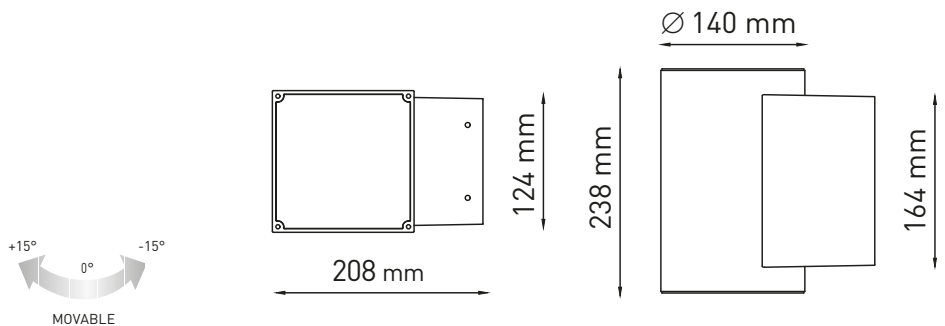
\* OTHER LIGHT COLORS AVAILABLE ON REQUEST: ● BLUE

**401018 HYDROTECH MEDIUM 02 SQUARE PRO LED**

Square up&down luminaire for outdoor installation on a façade/wall. Phosphochromatised and polyester powder coated die-cast copper-free aluminium body, tempered safety glass, moulded silicone gasket and stainless steel screws. Built-in LED driver 220-240V 50-60Hz, with 2 x 5 CREE XP-L LED. IP65 rating.

**Energy Label** A++

- Material: high corrosion resistance die-cast copper-free aluminum body
- Coating: polyester powder coating with phosphochromating pre-finish
- NR. 5 CREE "XP-L" LED up and NR. 5 CREE "XP-L" LED down.
- Electronic transformer 220/240V 50/60Hz included
- Stainless steel screws.
- Silicone rubber gasket.
- Tempered safety glass.
- M20 rubber grommet Rutaseal® in EPDM
- Adjustable +/- 15 degrees.



	LIGHT SOURCE	LED COLOR*	LIGHT BEAM OPTIONS	LUMEN OUTPUT (lm)	LUMINOUS EFFICACY (lm/w)	COLORS OPTIONS
2X14 WATT 220-240V 50-60HZ ELECTRONIC IP65 3.00 KG UNIT GROSS WEIGHT	HIGH-POWER LED	3.000°K WARM-WHITE	10°	2 X 1.300	92.86	<ul style="list-style-type: none"> <li><span style="display: inline-block; width: 15px; height: 15px; background-color: grey; border: 1px solid black; margin-right: 5px;"></span> TEXTURED GREY</li> <li><span style="display: inline-block; width: 15px; height: 15px; background-color: white; border: 1px solid black; margin-right: 5px;"></span> MATT WHITE (ON REQUEST)</li> <li><span style="display: inline-block; width: 15px; height: 15px; background-color: black; border: 1px solid black; margin-right: 5px;"></span> MATT BLACK (ON REQUEST)</li> </ul>
			30°	2 X 1.230	87.86	
			45°	2 X 1.170	83.57	

\* OTHER LIGHT COLORS AVAILABLE ON REQUEST: ○ 4.000°K NEUTRAL-WHITE



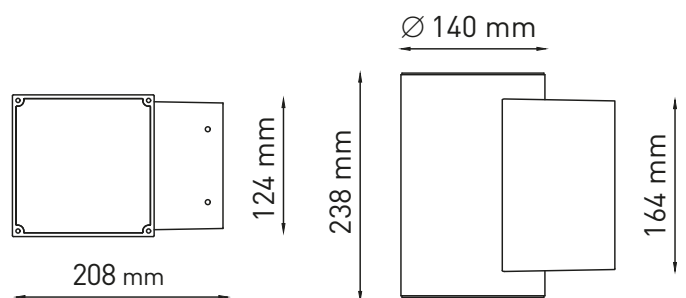
**401014 HYDROTECH MEDIUM 01 SQUARE LED**

Square wall mounted luminaire for outdoor installation on a façade/wall, with light distribution downward only. Phospho-chromatised and polyester powder coated die-cast copper-free aluminium body, tempered safety glass, moulded silicone gasket and stainless steel screws. Built-in LED driver 220-240V 50-60Hz, with 5 CREE XP-G3 LED. IP65 rating.

**Energy Label** **A++**

- Material: high corrosion resistance die-cast copper-free aluminum body
- Coating: polyester powder coating with phosphochromating pre-finish
- NR. 5 x 1.5W CREE "XP-G3" LED down.
- Electronic transformer 220/240V 50/60Hz included
- Stainless steel screws.
- Silicone rubber gasket.
- Tempered safety glass.
- M20 rubber grommet Rutaseal<sup>®</sup> in EPDM
- Adjustable +/- 15 degrees.

**FullRGB**  
AVAILABLE ON REQUEST



8 WATT  
220-240V 50-60HZ ELECTRONIC  
IP65  
3.00 KG UNIT GROSS WEIGHT

LIGHT SOURCE	LED COLOR*	LIGHT BEAM OPTIONS	LUMEN OUTPUT (lm)	LUMINOUS EFFICACY (lm/w)	COLORS OPTIONS
HIGH-POWER LED	3.000°K WARM-WHITE	M 10°	720	90.00	<input checked="" type="checkbox"/> TEXTURED GREY <input type="checkbox"/> MATT WHITE (ON REQUEST) <input checked="" type="checkbox"/> MATT BLACK (ON REQUEST)
		M 30°	684	85.50	
		M 45°	650	81.25	
	4.000°K NEUTRAL-WHITE	M 10°	750	93.75	
		M 30°	713	89.13	
		M 45°	677	84.63	

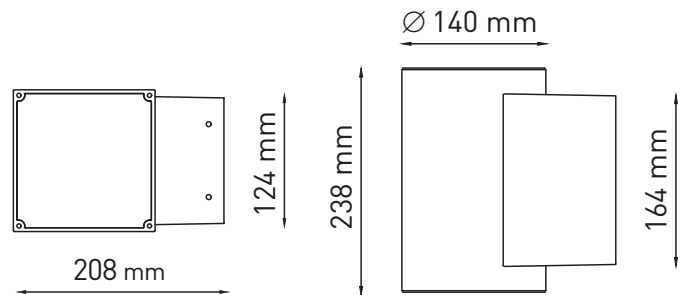
\* OTHER LIGHT COLORS AVAILABLE ON REQUEST: BLUE





**401019 HYDROTECH MEDIUM 01 SQUARE PRO LED**

Square wall mounted luminaire for outdoor installation on a façade/wall, with light distribution downward only. Phospho-chromatised and polyester powder coated die-cast copper-free aluminium body, tempered safety glass, moulded silicone gasket and stainless steel screws. Built-in LED driver 220-240V 50-60Hz, with 5 CREE XP-L LED. IP65 rating.

**Energy Label** A++

- Material: high corrosion resistance die-cast copper-free aluminum body
- Coating: polyester powder coating with phosphochromating pre-finish
- NR. 5 CREE "XP-L" LED down.
- Electronic transformer 220/240V 50/60Hz included
- Stainless steel screws.
- Silicone rubber gasket.
- Tempered safety glass.
- M20 rubber grommet Rutaseal<sup>®</sup> in EPDM
- Adjustable +/- 15 degrees.



	LIGHT SOURCE	LED COLOR*	LIGHT BEAM OPTIONS	LUMEN OUTPUT (lm)	LUMINOUS EFFICACY (lm/w)	COLORS OPTIONS
14 WATT 220-240V 50-60HZ ELECTRONIC IP65 3.00 KG UNIT GROSS WEIGHT	HIGH-POWER LED	 3.000°K WARM-WHITE	 10°	1.300	92.86	■ TEXTURED GREY □ MATT WHITE (ON REQUEST) ■ MATT BLACK (ON REQUEST)
			 30°	1.230	87.86	
			 45°	1.170	83.57	

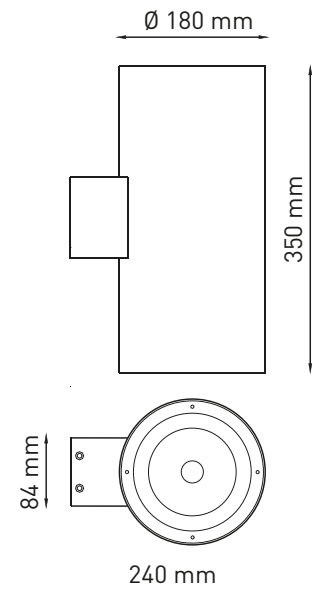
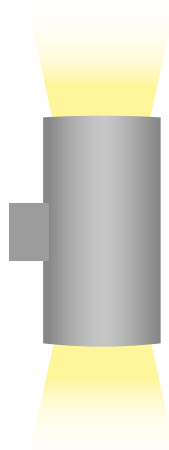
\* OTHER LIGHT COLORS AVAILABLE ON REQUEST: ○ 4.000°K NEUTRAL-WHITE

**401010 HYDROTECH MAXI 02 ROUND LED**

Round up&down luminaire for outdoor installation on a façade/wall. Phospho-chromatised and polyester powder coated die-cast copper-free aluminium body, tempered safety glass, moulded silicone gasket and stainless steel screws. Built-in LED driver 220-240V 50-60Hz, with 2 x 1 COB CREE "CXA2530" LED. IP65 rating.

**Energy Label** **A++**

- Material: high corrosion resistance die-cast copper-free aluminum body
- Coating: polyester powder coating with phosphochromating pre-finish
- NR. 2 x 39W COB CREE "CXA2530" LED
- Electronic transformer 220/240V 50/60Hz included
- Stainless steel screws
- Silicone rubber gasket
- Tempered safety glass.
- 0,5 mt. neoprene power cable included



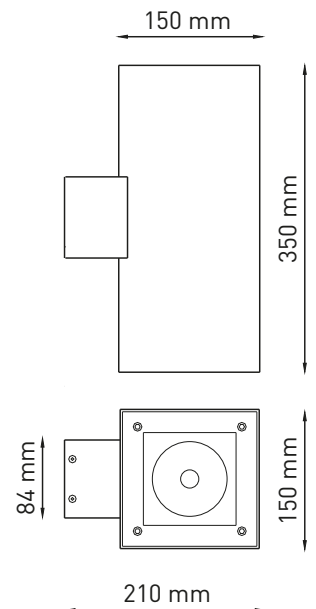
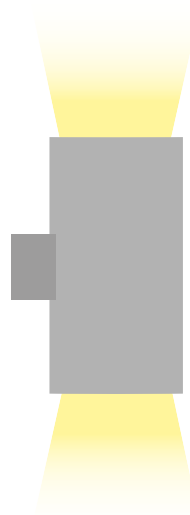
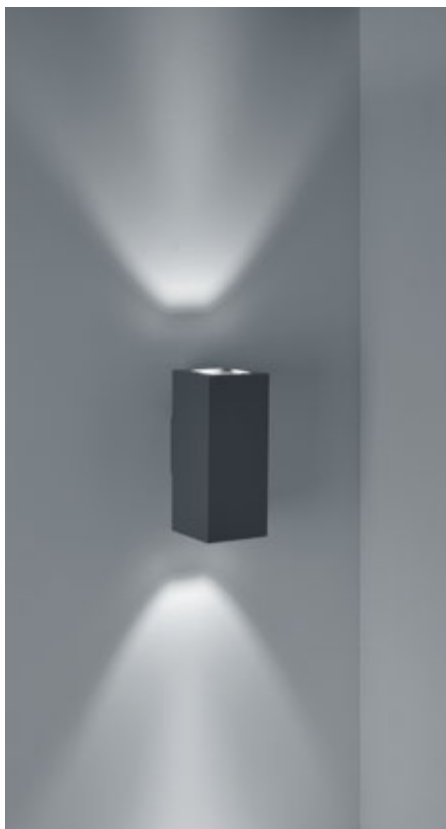
	LIGHT SOURCE	LED COLOR*	LIGHT BEAM OPTIONS	LUMEN OUTPUT (lm)	LUMINOUS EFFICACY (lm/w)	COLORS OPTIONS
2 X 39 WATT 220-240V 50-60HZ ELECTRONIC IP65 4,60 KG UNIT GROSS WEIGHT	COB LED	3.000°K WARM-WHITE	40°	2 X 4.000	102.56	TEXTURED GREY

**401011 HYDROTECH MAXI 02 SQUARE LED**

Square up&down luminaire for outdoor installation on a façade/wall. Phospho-chromatised and polyester powder coated die-cast copper-free aluminium body, tempered safety glass, moulded silicone gasket and stainless steel screws. Built-in LED driver 220-240V 50-60Hz, with 2 x 1 COB CREE "CXA2530" LED. IP65 rating.

**Energy Label** A++

- Material: high corrosion resistance die-cast copper-free aluminum body
- Coating: polyester powder coating with phosphochromating pre-finish
- NR. 2 x 39W COB CREE "CXA2530" LED
- Electronic transformer 220/240V 50/60Hz included
- Stainless steel screws
- Silicone rubber gasket
- Tempered safety glass.
- 0,5 mt. neoprene power cable included



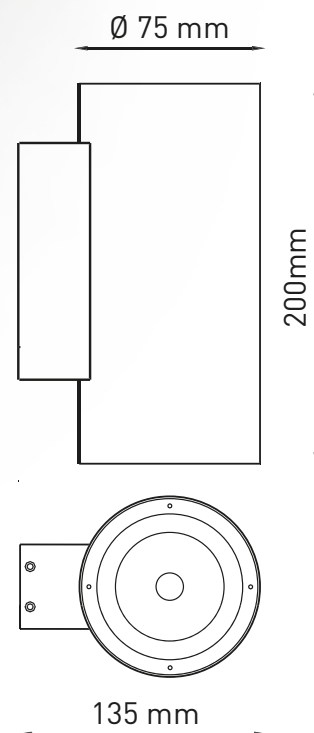
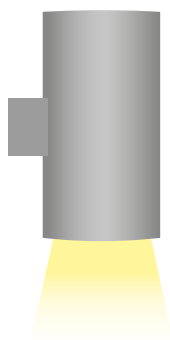
	LIGHT SOURCE	LED COLOR*	LIGHT BEAM OPTIONS	LUMEN OUTPUT (lm)	LUMINOUS EFFICACY (lm/w)	COLORS OPTIONS
2 X 39 WATT 220-240V 50-60HZ ELECTRONIC IP65 4,60 KG UNIT GROSS WEIGHT	COB LED	3.000°K WARM-WHITE	40°	2 X 4.000	102.56	TEXTURED GREY




**401901 HYDROTECH MINI STEEL ROUND 01 LED**

Round wall mounted luminaire for outdoor installation on a façade/wall, with light distribution downward only. Luminaire completely made in mirrored stainless steel AISI 316L, tempered safety glass, moulded silicone gasket and stainless steel screws. Built-in LED driver 220-240V 50-60Hz, with nr. 1 CREE COB LED. IP65 rating.

**Energy Label** **A++**

- Material : mirrored stainless steel AISI 316L
- NR. 1 x 5W CREE COB LED
- Electronic transformer 220/240V 50/60Hz included
- Stainless steel screws.
- Silicone rubber gasket.
- Tempered safety glass.



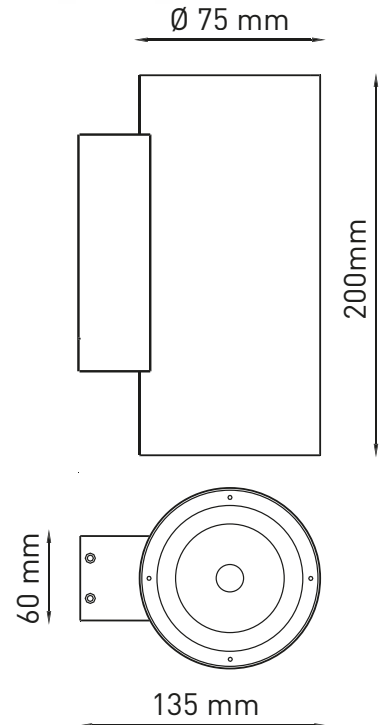
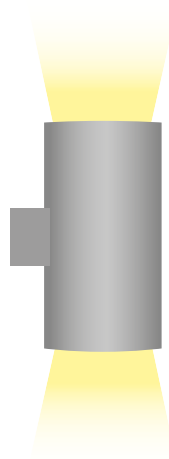
	LIGHT SOURCE	LED COLOR*	LIGHT BEAM OPTIONS	LUMEN OUTPUT (lm)	LUMINOUS EFFICACY (lm/w)	COLORS OPTIONS
5 WATT 220-240V 50-60HZ ELECTRONIC IP65 1,90 KG UNIT GROSS WEIGHT	COB LED	 3.000°K WARM-WHITE	 30°	480	96.00	 MIRRORED STAINLESS STEEL




**401902 HYDROTECH MINI STEEL ROUND 02 LED**

Round up&down luminaire for outdoor installation on a façade/wall. Luminaire completely made in mirrored stainless steel AISI 316L, tempered safety glass, moulded silicone gasket and stainless steel screws. Built-in LED driver 220-240V 50-60Hz, with 2 x CREE COB LED. IP65 rating.

**Energy Label** A++

- Material : mirrored stainless steel AISI 316L
- NR. 2 x 5W CREE COB LED
- Electronic transformer 220/240V 50/60Hz included
- Stainless steel screws.
- Silicone rubber gasket.
- Tempered safety glass.



	LIGHT SOURCE	LED COLOR*	LIGHT BEAM OPTIONS	LUMEN OUTPUT (lm)	LUMINOUS EFFICACY (lm/w)	COLORS OPTIONS
2X5 WATT 220-240V 50-60HZ ELECTRONIC IP65 2,00 KG UNIT GROSS WEIGHT	COB LED	 3.000°K WARM-WHITE	 2 X 30°	2 X 480	96.00	 MIRRORRED STAINLESS STEEL

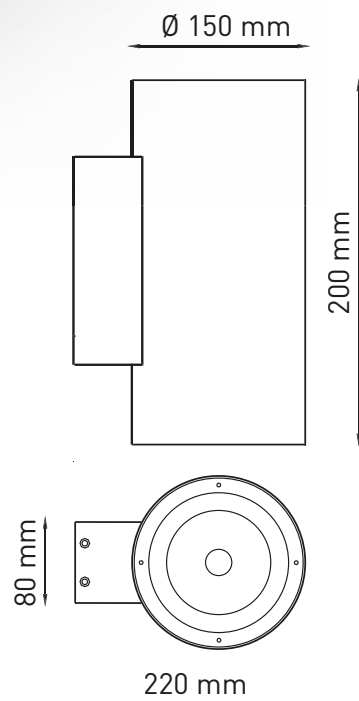
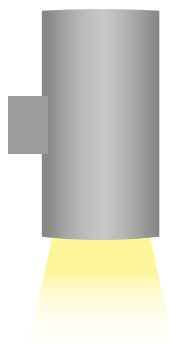





**401903 HYDROTECH MEDIUM STEEL ROUND 01 LED**

Round wall mounted luminaire for outdoor installation on a façade/wall, with light distribution downward only. Luminaire completely made in mirrored stainless steel AISI 316L, tempered safety glass, moulded silicone gasket and stainless steel screws. Built-in LED driver 220-240V 50-60Hz, with nr. 1 CREE COB LED. IP65 rating.

**Energy Label** A++

- Material : mirrored stainless steel AISI 316L
- NR. 1 x 12W CREE COB LED
- Electronic transformer 220/240V 50/60Hz included
- Stainless steel screws.
- Silicone rubber gasket.
- Tempered safety glass.



	LIGHT SOURCE	LED COLOR*	LIGHT BEAM OPTIONS	LUMEN OUTPUT (lm)	LUMINOUS EFFICACY (lm/w)	COLORS OPTIONS
12 WATT 220-240V 50-60HZ ELECTRONIC IP65 4,90 KG UNIT GROSS WEIGHT	COB LED	 3.000°K WARM-WHITE	 30°	960	80.00	 MIRRORED STAINLESS STEEL

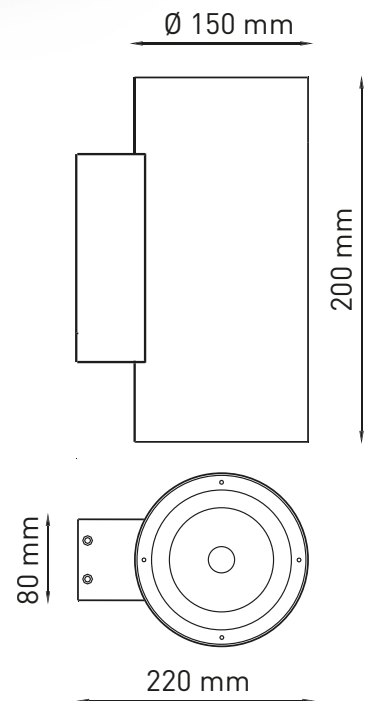
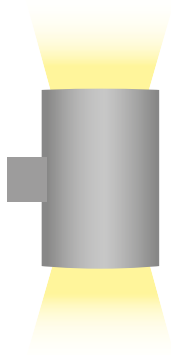


**401904 HYDROTECH MEDIUM STEEL ROUND 02 LED**

Round up&down luminaire for outdoor installation on a façade/wall. Luminaire completely made in mirrored stainless steel AISI 316L, tempered safety glass, moulded silicone gasket and stainless steel screws. Built-in LED driver 220-240V 50-60Hz, with 2 x CREE COB LED. IP65 rating.

**Energy Label** A++

- Material : mirrored stainless steel AISI 316L
- NR. 2 x 12W CREE COB LED
- Electronic transformer 220/240V 50/60Hz included
- Stainless steel screws.
- Silicone rubber gasket.
- Tempered safety glass.



	LIGHT SOURCE	LED COLOR*	LIGHT BEAM OPTIONS	LUMEN OUTPUT (lm)	LUMINOUS EFFICACY (lm/w)	COLORS OPTIONS
2X12 WATT 220-240V 50-60HZ ELECTRONIC IP65 5,00 KG UNIT GROSS WEIGHT	COB LED	3.000°K WARM-WHITE	2 X 30°	2 X 960	80.00	MIRRORED STAINLESS STEEL

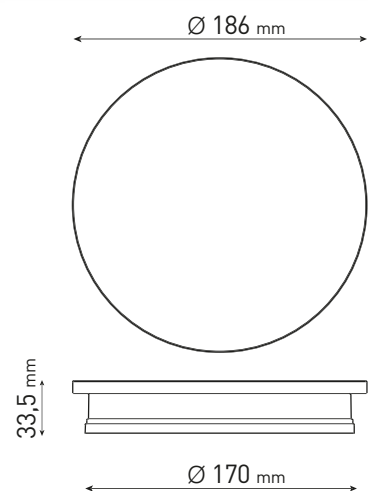
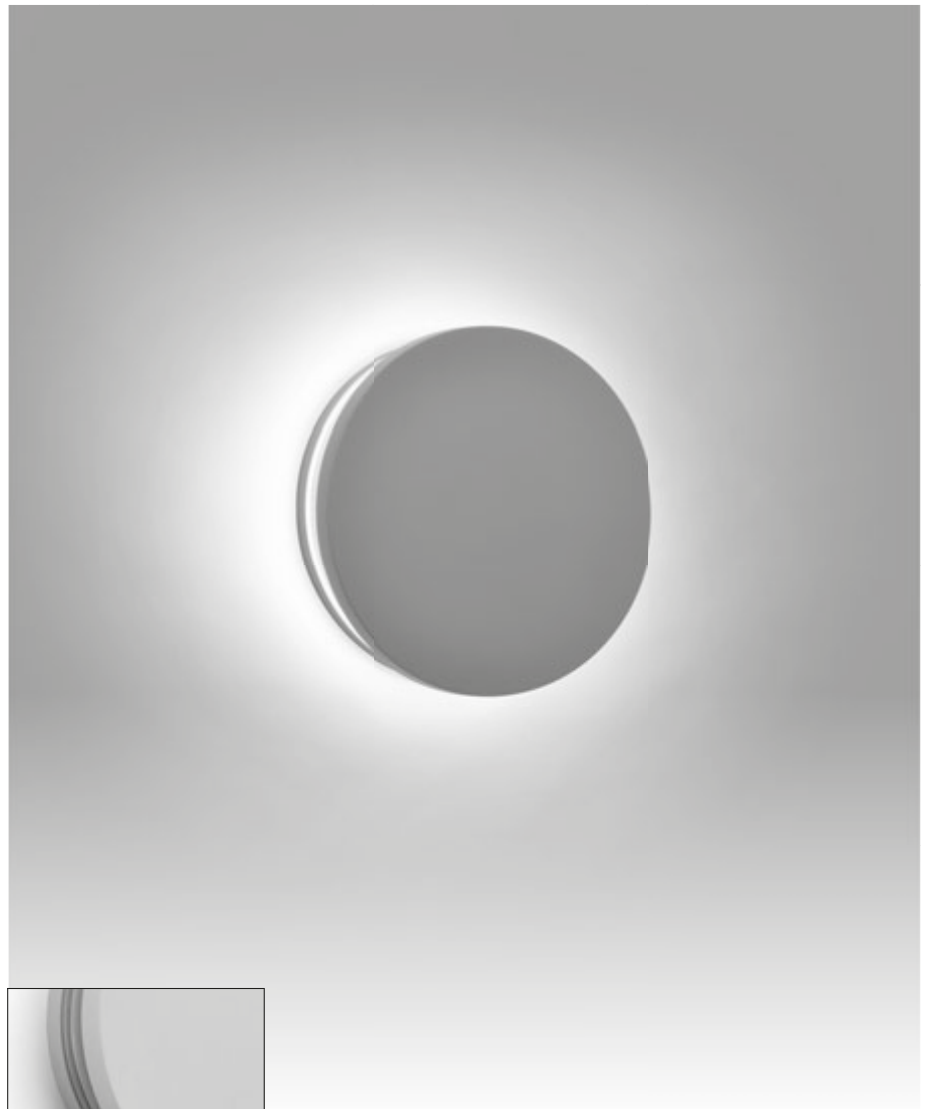
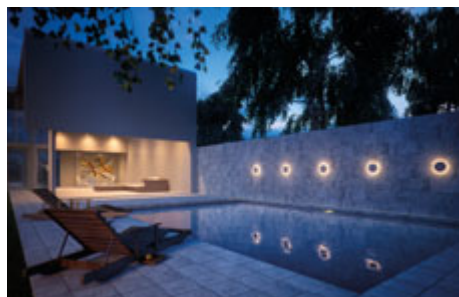
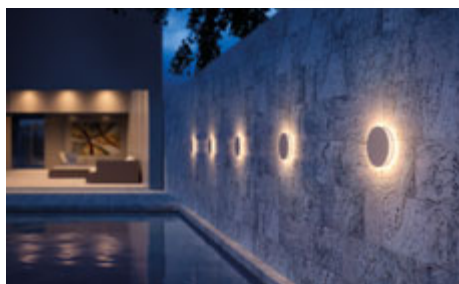







**401701 HYDROECLIPSE MINI ROUND LED**

Round wall surface-mounted luminaire creating a **diffused and discrete light through the fixture perimeter** on the wall. Fixture for outdoor installation on a wall. Phospho-chromatised and polyester powder coated die-cast copper-free aluminium body, frosted polycarbonate diffuser, moulded silicone gasket and stainless steel screws. Built-in LED driver 220-240V 50-60Hz, with low-power CREE LED. IP65 rating.

**Energy Label** A++

- Material: high corrosion resistance die-cast copper-free aluminum body
- Coating: polyester powder coating with phosphochromating pre-finish
- Electronic transformer 220/240V 50/60Hz included
- Stainless steel screws
- Silicone rubber gasket
- Polycarbonate diffuser
- M12 rubber grommet Rutaseal® in EPDM



	LIGHT SOURCE	LED COLOR*	LIGHT BEAM OPTIONS	LUMEN OUTPUT (lm)	LUMINOUS EFFICACY (lm/w)	COLORS OPTIONS
6 WATT 220-240V 50-60HZ ELECTRONIC IP65 1,00 KG UNIT GROSS WEIGHT	LOW-POWER LED	 3.000°K WARM-WHITE	 360°	---	---	 TEXTURED GREY  MATT WHITE (ON REQUEST)  MATT BLACK (ON REQUEST)

\* OTHER LIGHT COLORS AVAILABLE ON REQUEST:  4.000°K NEUTRAL-WHITE

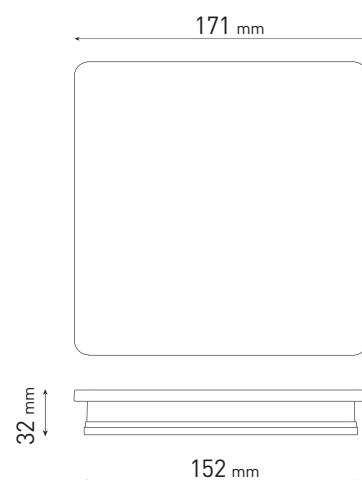
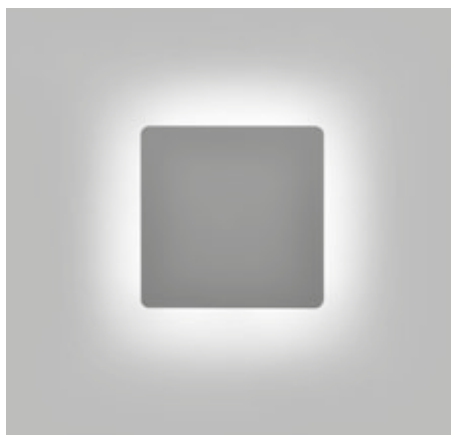
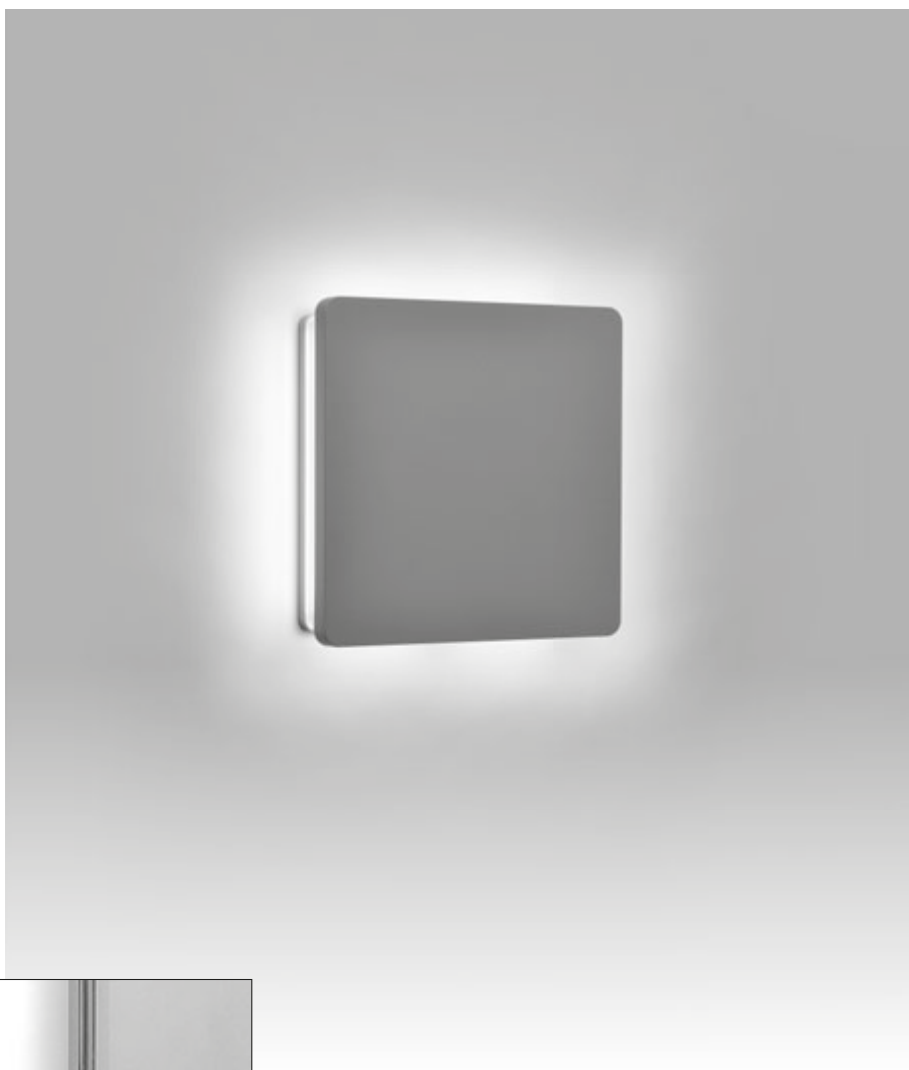


**401702 HYDROECLIPSE MINI SQUARE LED**

Square wall surface-mounted luminaire creating a **diffused and discrete light through the fixture perimeter** on the wall. Fixture for outdoor installation on a wall. Phospho-chromatised and polyester powder coated die-cast copper-free aluminium body, frosted polycarbonate diffuser, moulded silicone gasket and stainless steel screws. Built-in LED driver 220-240V 50-60Hz, with low-power CREE LED. IP65 rating.

**Energy Label** **A++**

- Material: high corrosion resistance die-cast copper-free aluminum body
- Coating: polyester powder coating with phosphochromating pre-finish
- Electronic transformer 220/240V 50/60Hz included
- Stainless steel screws
- Silicone rubber gasket
- Polycarbonate diffuser
- M12 rubber grommet Rutaseal® in EPDM



	LIGHT SOURCE	LED COLOR*	LIGHT BEAM OPTIONS	LUMEN OUTPUT (lm)	LUMINOUS EFFICACY (lm/w)	COLORS OPTIONS
7 WATT 220-240V 50-60HZ ELECTRONIC IP65 1,00 KG UNIT GROSS WEIGHT	LOW-POWER LED	3.000°K WARM-WHITE	360°	---	---	<ul style="list-style-type: none"> <li><span style="display: inline-block; width: 15px; height: 15px; background-color: #808080; margin-right: 5px;"></span> TEXTURED GREY</li> <li><span style="display: inline-block; width: 15px; height: 15px; background-color: #FFFFFF; border: 1px solid black; margin-right: 5px;"></span> MATT WHITE (ON REQUEST)</li> <li><span style="display: inline-block; width: 15px; height: 15px; background-color: #000000; margin-right: 5px;"></span> MATT BLACK (ON REQUEST)</li> </ul>

\* OTHER LIGHT COLORS AVAILABLE ON REQUEST: ○ 4.000°K NEUTRAL-WHITE

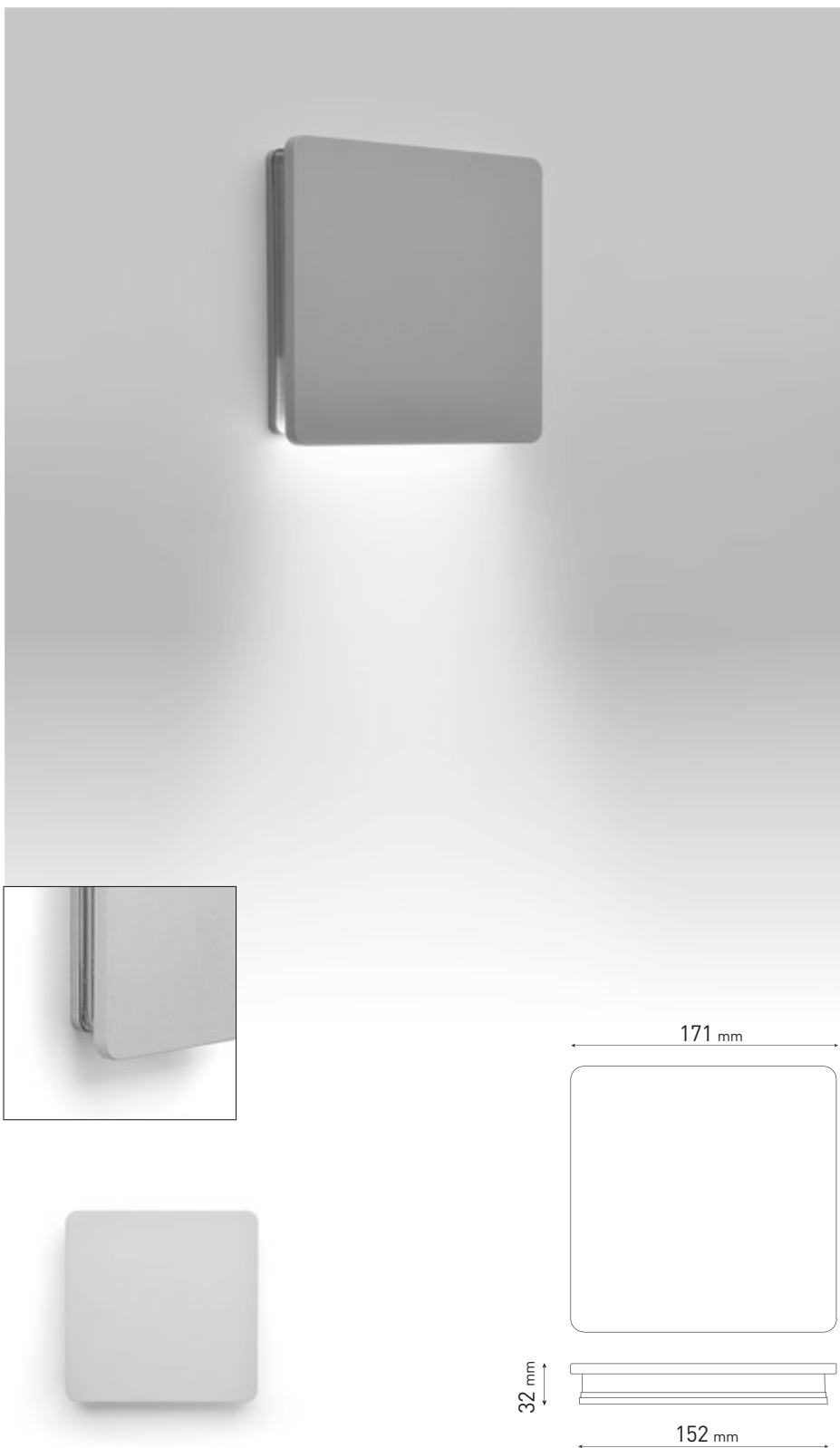
**401703 HYDROECLIPSE MINI SQUARE 01 LED**






Designed by **paolovilla**design

Square wall surface-mounted luminaire creating a **mono-directional wall-washer lighting effect** on the wall. Fixture for outdoor installation on a wall. Phospho-chromatised and polyester powder coated die-cast copper-free aluminium body, frosted polycarbonate diffuser, moulded silicone gasket and stainless steel screws. Built-in LED driver 220-240V 50-60Hz, with 6 mid-power CREE XH-G LED. IP65 rating.

**Energy Label** A++

- Material: high corrosion resistance die-cast copper-free aluminum body
- Coating: polyester powder coating with phosphochromating pre-finish
- Electronic transformer 220/240V 50/60Hz included
- Nr. 6 mid-power CREE XH-G LED
- Stainless steel screws
- Silicone rubber gasket
- Polycarbonate diffuser
- M12 rubber grommet Rutaseal<sup>®</sup> in EPDM



	LIGHT SOURCE	LED COLOR*	LIGHT BEAM OPTIONS	LUMEN OUTPUT (lm)	LUMINOUS EFFICACY (lm/w)	COLORS OPTIONS
4 WATT 220-240V 50-60HZ ELECTRONIC IP65 1,00 KG UNIT GROSS WEIGHT	MID-POWER LED	 3.000°K WARM-WHITE	 30°	350	87,50	 TEXTURED GREY  MATT WHITE (ON REQUEST)  MATT BLACK (ON REQUEST)

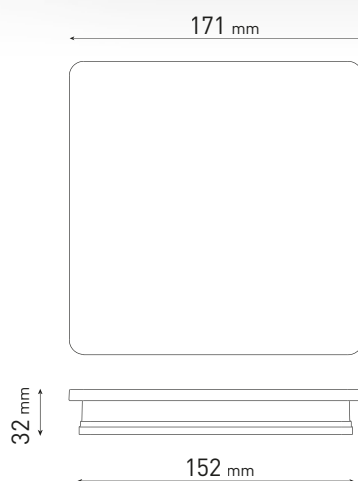
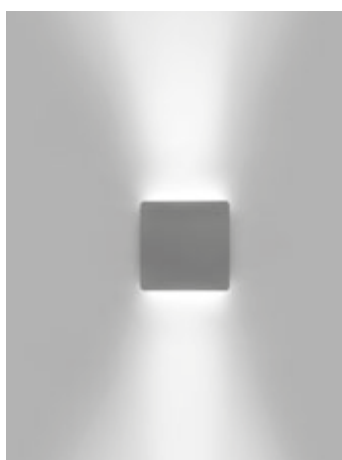
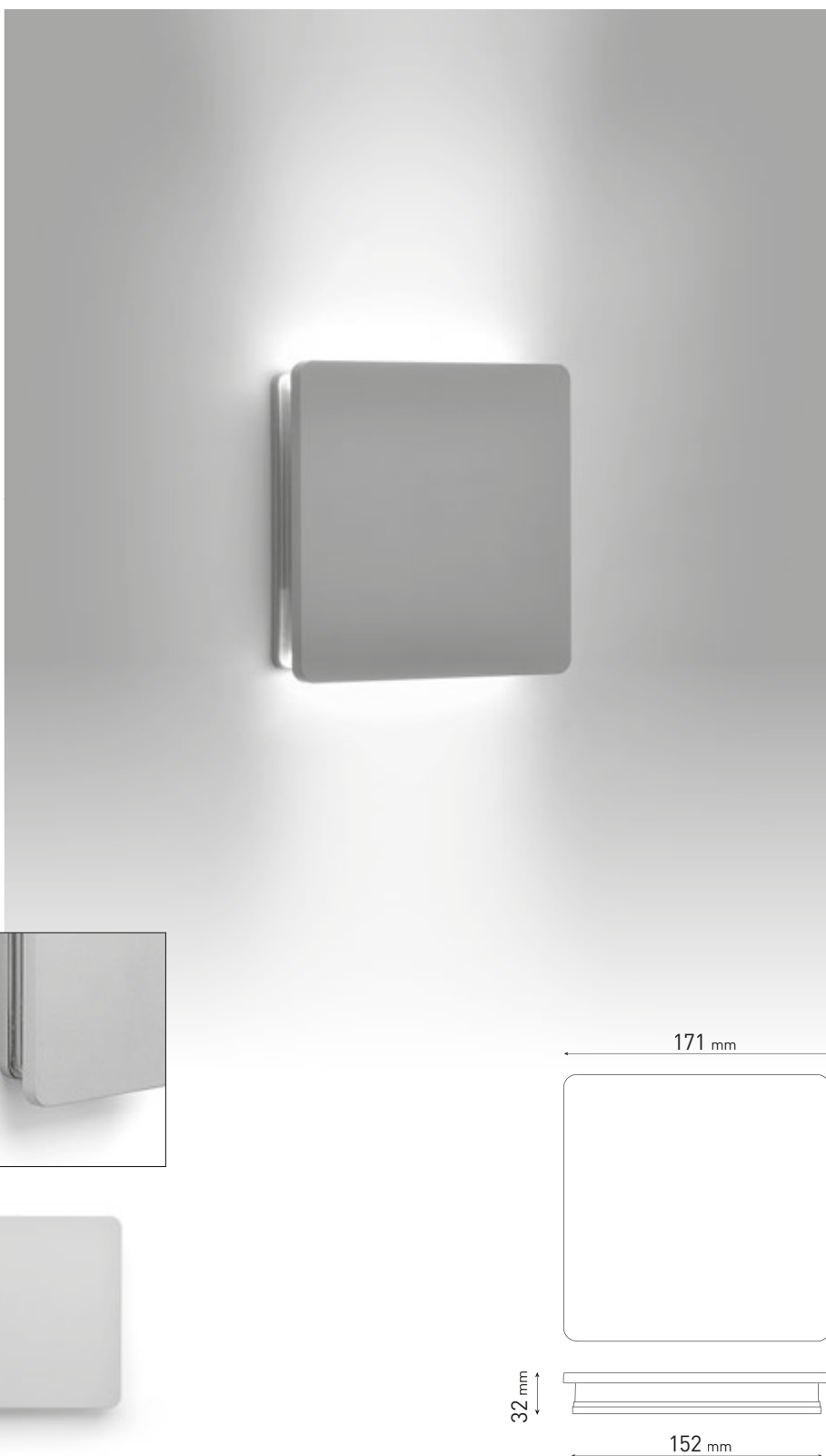
\* OTHER LIGHT COLORS AVAILABLE ON REQUEST: ○ 4.000°K NEUTRAL-WHITE

**401704 HYDROECLIPSE MINI SQUARE 02 LED**

Square wall surface-mounted luminaire creating a **bi-directional (up&down) wall-washer lighting effect** on the wall. Fixture for outdoor installation on a wall. Phospho-chromatised and polyester powder coated die-cast copper-free aluminium body, frosted polycarbonate diffuser, moulded silicone gasket and stainless steel screws. Built-in LED driver 220-240V 50-60Hz, with 2x6 mid-power CREE XH-G LED. IP65 rating.

**Energy Label** **A++**

- Material: high corrosion resistance die-cast copper-free aluminum body
- Coating: polyester powder coating with phosphochromating pre-finish
- Electronic transformer 220/240V 50/60Hz included
- Nr. 2 x 6 mid-power CREE XH-G LED
- Stainless steel screws
- Silicone rubber gasket
- Polycarbonate diffuser
- M12 rubber grommet Rutaseal® in EPDM



	LIGHT SOURCE	LED COLOR*	LIGHT BEAM OPTIONS	LUMEN OUTPUT (lm)	LUMINOUS EFFICACY (lm/w)	COLORS OPTIONS
8 WATT 220-240V 50-60HZ ELECTRONIC IP65 1,00 KG UNIT GROSS WEIGHT	MID-POWER LED	3.000°K WARM-WHITE	2 X 30°	2 X 350	87,50	<input checked="" type="checkbox"/> TEXTURED GREY <input type="checkbox"/> MATT WHITE (ON REQUEST) <input type="checkbox"/> MATT BLACK (ON REQUEST)

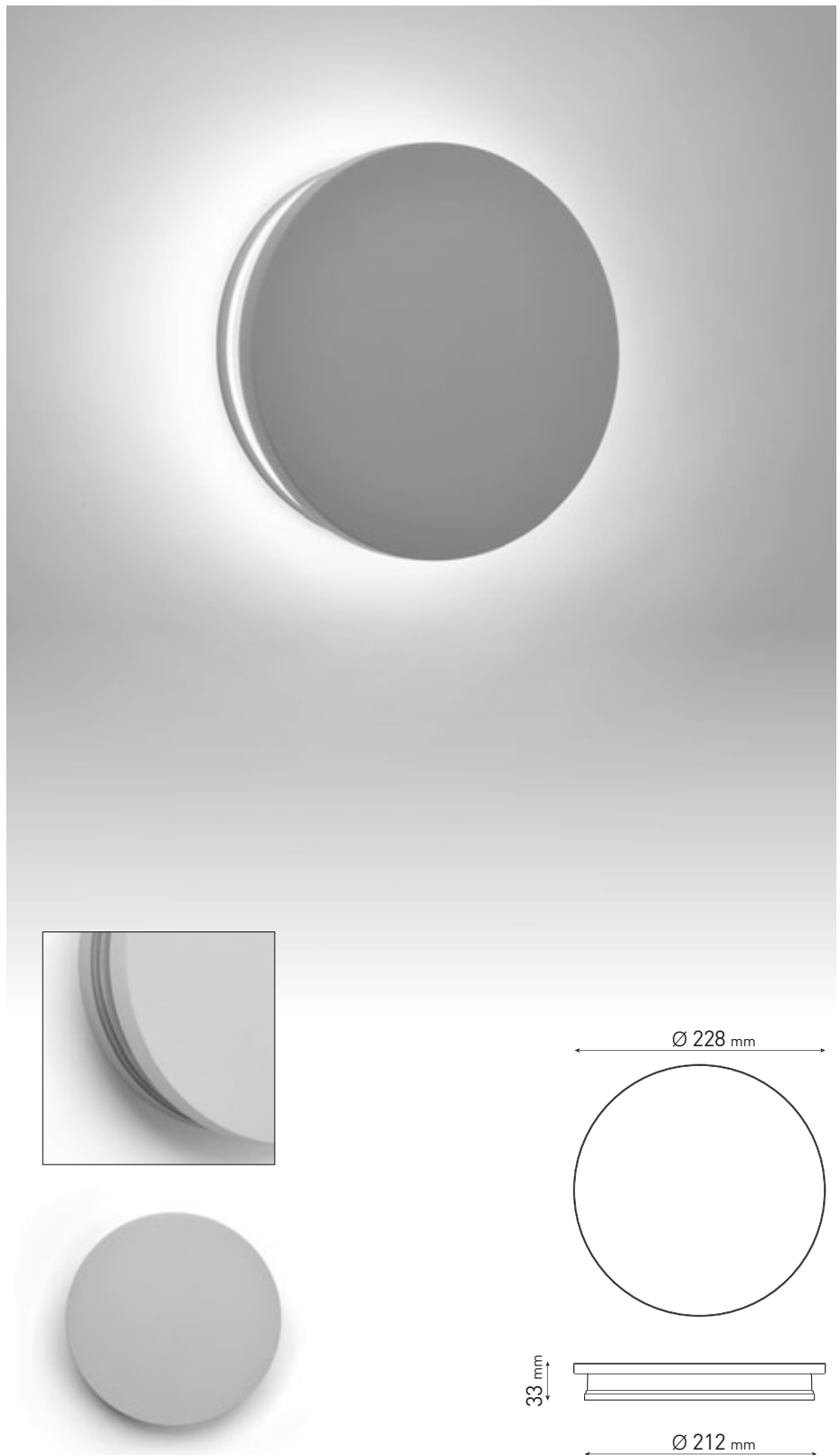
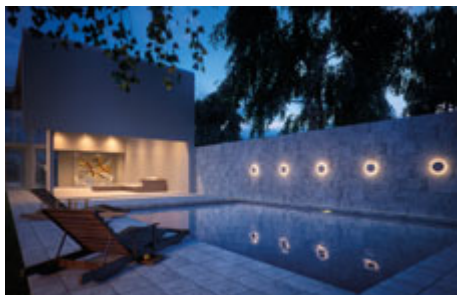
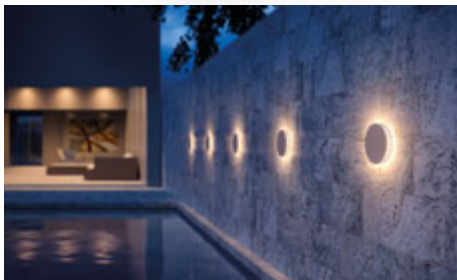
\* OTHER LIGHT COLORS AVAILABLE ON REQUEST: ○ 4.000°K NEUTRAL-WHITE

**401705 HYDROECLIPSE MEDIUM ROUND LED**

Round wall surface-mounted luminaire creating a **diffused and discrete light through the fixture perimeter** on the wall. Fixture for outdoor installation on a wall. Phospho-chromatised and polyester powder coated die-cast copper-free aluminium body, frosted polycarbonate diffuser, moulded silicone gasket and stainless steel screws. Built-in LED driver 220-240V 50-60Hz, with low-power CREE LED. IP65 rating.

**Energy Label** **A++**

- Material: high corrosion resistance die-cast copper-free aluminum body
- Coating: polyester powder coating with phosphochromating pre-finish
- Electronic transformer 220/240V 50/60Hz included
- Stainless steel screws
- Silicone rubber gasket
- Polycarbonate diffuser
- M16 rubber grommet Rutaseal® in EPDM



	LIGHT SOURCE	LED COLOR*	LIGHT BEAM OPTIONS	LUMEN OUTPUT (lm)	LUMINOUS EFFICACY (lm/w)	COLORS OPTIONS
9 WATT 220-240V 50-60HZ ELECTRONIC IP65 1,50 KG UNIT GROSS WEIGHT	LOW-POWER LED	3.000°K WARM-WHITE	360°	---	---	<ul style="list-style-type: none"> <li><span style="display: inline-block; width: 15px; height: 15px; background-color: grey; margin-right: 5px;"></span> TEXTURED GREY</li> <li><span style="display: inline-block; width: 15px; height: 15px; background-color: white; border: 1px solid black; margin-right: 5px;"></span> MATT WHITE (ON REQUEST)</li> <li><span style="display: inline-block; width: 15px; height: 15px; background-color: black; margin-right: 5px;"></span> MATT BLACK (ON REQUEST)</li> </ul>

\* OTHER LIGHT COLORS AVAILABLE ON REQUEST: ○ 4.000°K NEUTRAL-WHITE

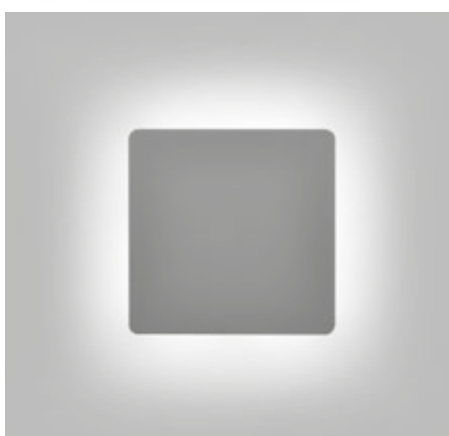
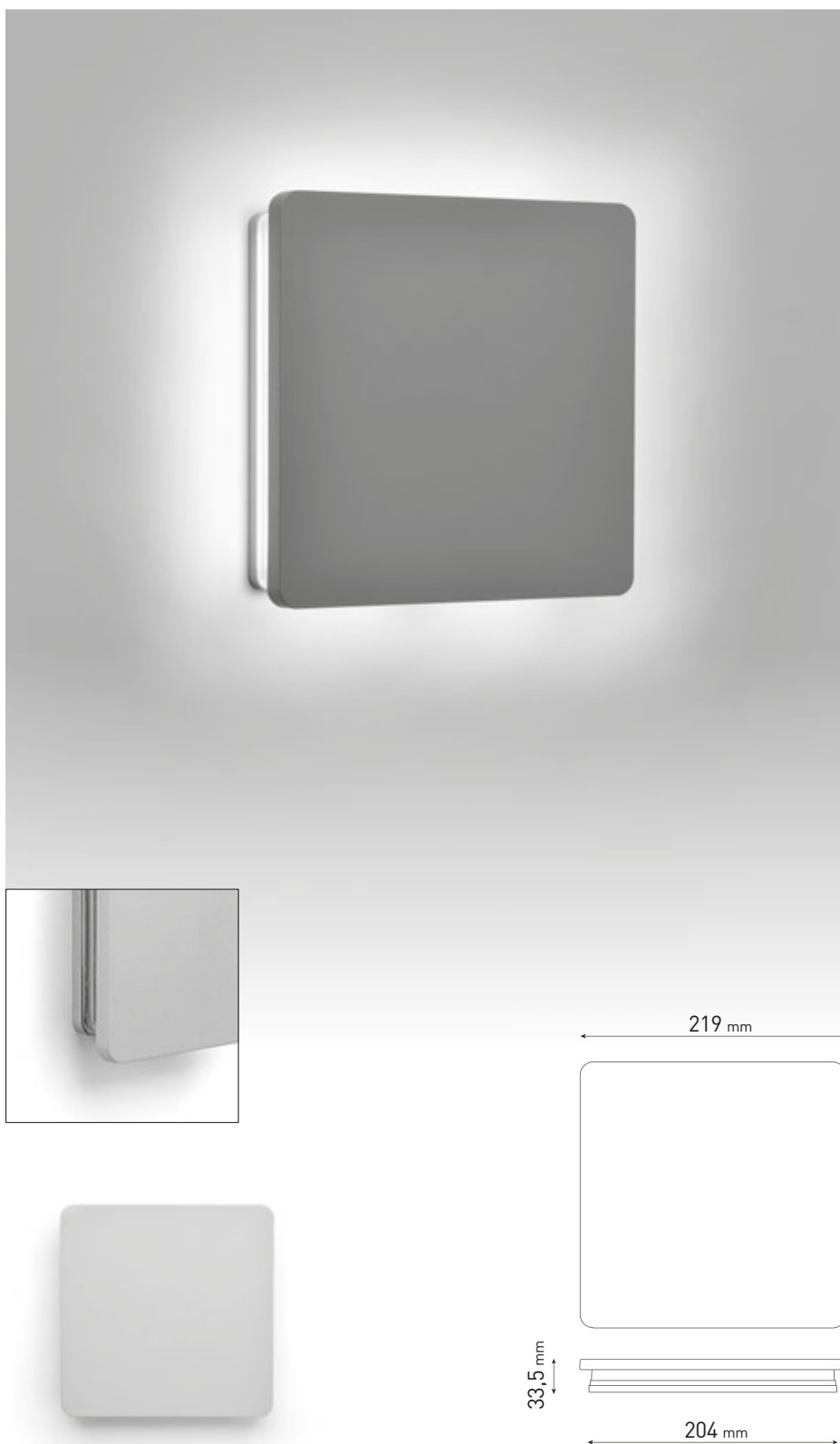


**401706 HYDROECLIPSE MEDIUM SQUARE LED**

Square wall surface-mounted luminaire creating a **diffused and discrete light through the fixture perimeter** on the wall. Fixture for outdoor installation on a wall. Phospho-chromatised and polyester powder coated die-cast copper-free aluminium body, frosted polycarbonate diffuser, moulded silicone gasket and stainless steel screws. Built-in LED driver 220-240V 50-60Hz, with low-power CREE LED. IP65 rating.

**Energy Label** **A++**

- Material: high corrosion resistance die-cast copper-free aluminum body
- Coating: polyester powder coating with phosphochromating pre-finish
- Electronic transformer 220/240V 50/60Hz included
- Stainless steel screws
- Silicone rubber gasket
- Polycarbonate diffuser
- M16 rubber grommet Rutaseal<sup>®</sup> in EPDM



	LIGHT SOURCE	LED COLOR*	LIGHT BEAM OPTIONS	LUMEN OUTPUT (lm)	LUMINOUS EFFICACY (lm/w)	COLORS OPTIONS
10 WATT 220-240V 50-60HZ ELECTRONIC IP65 1,50 KG UNIT GROSS WEIGHT	LOW-POWER LED	3.000°K WARM-WHITE	360°	---	---	<ul style="list-style-type: none"> <li><span style="display: inline-block; width: 15px; height: 15px; background-color: grey; margin-right: 5px;"></span> TEXTURED GREY</li> <li><span style="display: inline-block; width: 15px; height: 15px; background-color: white; border: 1px solid black; margin-right: 5px;"></span> MATT WHITE (ON REQUEST)</li> <li><span style="display: inline-block; width: 15px; height: 15px; background-color: black; margin-right: 5px;"></span> MATT BLACK (ON REQUEST)</li> </ul>

\* OTHER LIGHT COLORS AVAILABLE ON REQUEST: ○ 4.000°K NEUTRAL-WHITE



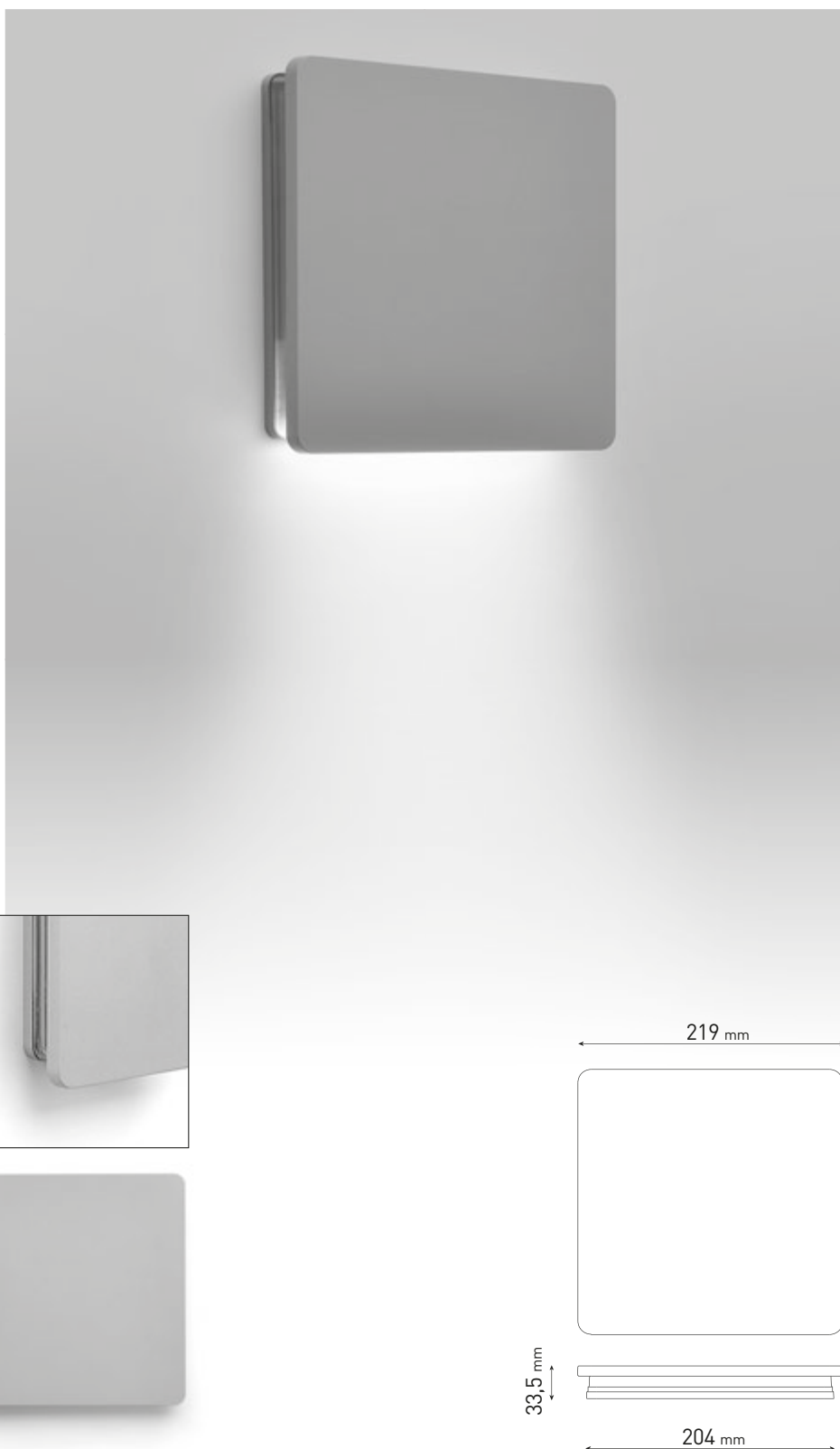
**401707 HYDROECLIPSE MEDIUM SQUARE 01 LED**






Designed by **paolovilladesign**

Square wall surface-mounted luminaire creating a **mono-directional wall-washer lighting effect** on the wall. Fixture for outdoor installation on a wall. Phospho-chromatised and polyester powder coated die-cast copper-free aluminium body, frosted polycarbonate diffuser, moulded silicone gasket and stainless steel screws. Built-in LED driver 220-240V 50-60Hz, with 14 mid-power CREE XH-G LED. IP65 rating.

**Energy Label** A++

- Material: high corrosion resistance die-cast copper-free aluminum body
- Coating: polyester powder coating with phosphochromating pre-finish
- Electronic transformer 220/240V 50/60Hz included
- Nr. 14 mid-power CREE XH-G LED
- Stainless steel screws
- Silicone rubber gasket
- Polycarbonate diffuser
- M16 rubber grommet Rutaseal® in EPDM



	LIGHT SOURCE	LED COLOR*	LIGHT BEAM OPTIONS	LUMEN OUTPUT (lm)	LUMINOUS EFFICACY (lm/w)	COLORS OPTIONS
8 WATT 220-240V 50-60HZ ELECTRONIC IP65 1,50 KG UNIT GROSS WEIGHT	MID-POWER LED	 3.000°K WARM-WHITE	 30°	650	81.25	 TEXTURED GREY  MATT WHITE (ON REQUEST)  MATT BLACK (ON REQUEST)

\* OTHER LIGHT COLORS AVAILABLE ON REQUEST: ○ 4.000°K NEUTRAL-WHITE





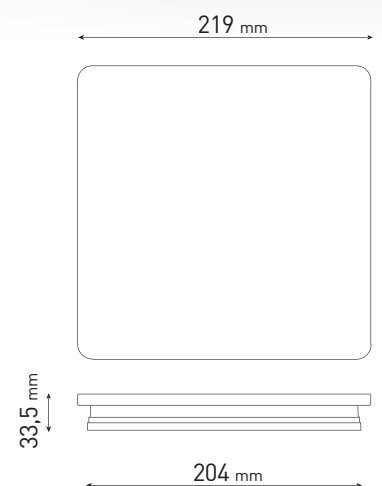
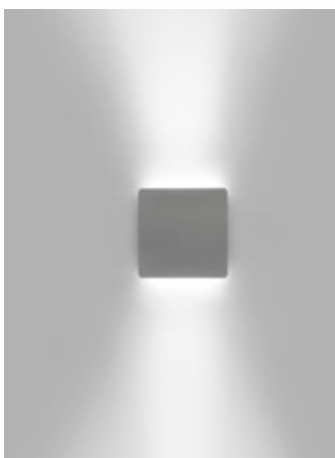
**401708 HYDROECLIPSE MEDIUM SQUARE 02 LED**

Designed by **paolovilla**design

Square wall surface-mounted luminaire creating a **bi-directional (up&down) wall-washer lighting effect** on the wall. Fixture for outdoor installation on a wall. Phospho-chromatised and polyester powder coated die-cast copper-free aluminium body, frosted polycarbonate diffuser, moulded silicone gasket and stainless steel screws. Built-in LED driver 220-240V 50-60Hz, with 2x14 mid-power CREE XH-G LED. IP65 rating.

**Energy Label** A++

- Material: high corrosion resistance die-cast copper-free aluminum body
- Coating: polyester powder coating with phosphochromating pre-finish
- Electronic transformer 220/240V 50/60Hz included
- Nr. 2 x 14 mid-power CREE XH-G LED
- Stainless steel screws
- Silicone rubber gasket
- Polycarbonate diffuser
- M16 rubber grommet Rutaseal<sup>®</sup> in EPDM



	LIGHT SOURCE	LED COLOR*	LIGHT BEAM OPTIONS	LUMEN OUTPUT (lm)	LUMINOUS EFFICACY (lm/w)	COLORS OPTIONS
16 WATT 220-240V 50-60HZ ELECTRONIC IP65 1,50 KG UNIT GROSS WEIGHT	MID-POWER LED	3.000°K WARM-WHITE	2 X 30°	2 X 650	81.25	<div style="display: flex; flex-direction: column; gap: 5px;"> <div><span style="display: inline-block; width: 15px; height: 15px; background-color: grey; border: 1px solid black;"></span> TEXTURED GREY</div> <div><span style="display: inline-block; width: 15px; height: 15px; background-color: white; border: 1px solid black;"></span> MATT WHITE (ON REQUEST)</div> <div><span style="display: inline-block; width: 15px; height: 15px; background-color: black; border: 1px solid black;"></span> MATT BLACK (ON REQUEST)</div> </div>

\* OTHER LIGHT COLORS AVAILABLE ON REQUEST: ○ 4.000°K NEUTRAL-WHITE

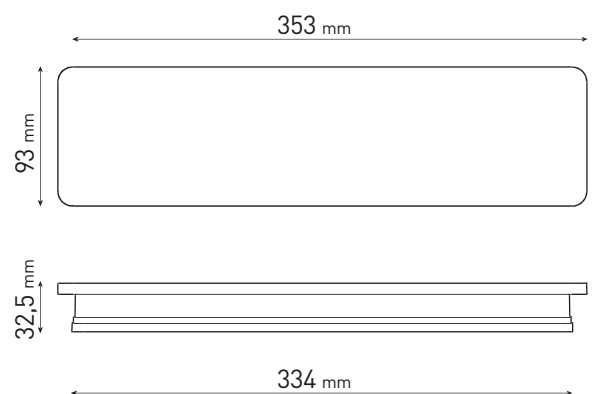
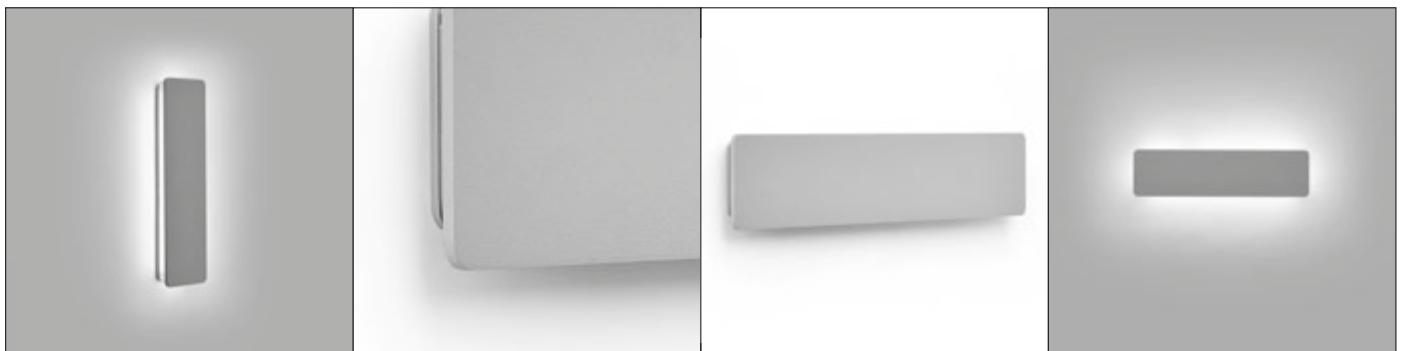
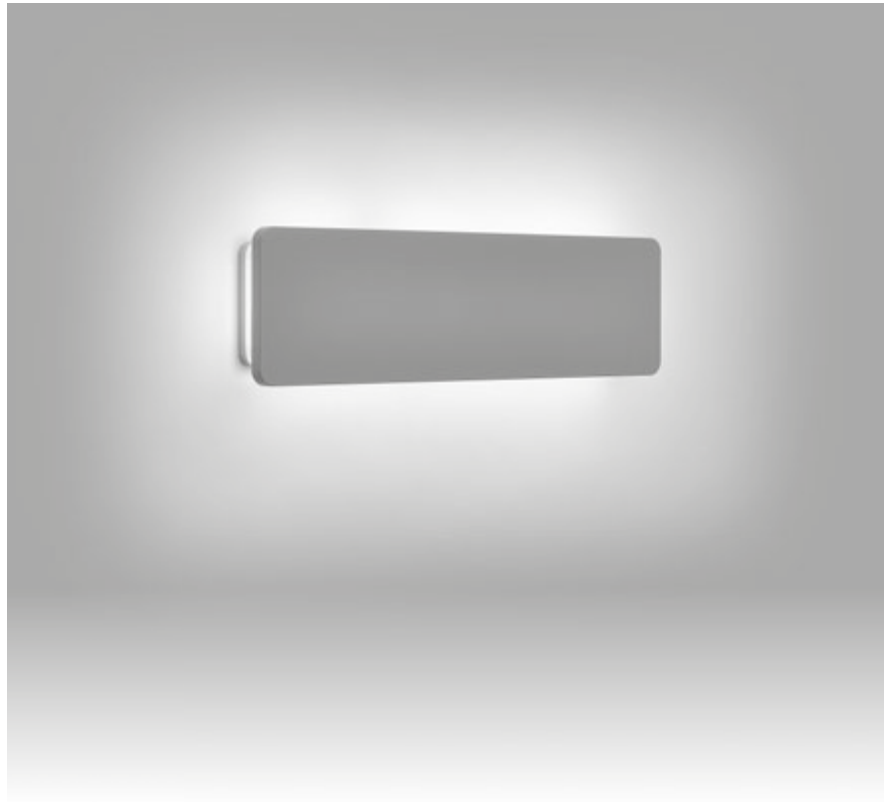
**401709 HYDROECLIPSE LINEAR 350 LED**






Rectangular wall surface-mounted luminaire creating a **diffused and discrete light through the fixture perimeter** on the wall. Fixture for outdoor installation on a wall.

Phospho-chromatised and polyester powder coated die-cast copper-free aluminium body, frosted polycarbonate diffuser, moulded silicone gasket and stainless steel screws. Built-in LED driver 220-240V 50-60Hz, with low-power CREE LED. IP65 rating.

**Energy Label** A++

- Material: high corrosion resistance die-cast copper-free aluminum body
- Coating: polyester powder coating with phosphochromating pre-finish
- Electronic transformer 220/240V 50/60Hz included
- Stainless steel screws
- Silicone rubber gasket
- Polycarbonate diffuser
- M16 rubber grommet Rutaseal® in EPDM



	LIGHT SOURCE	LED COLOR*	LIGHT BEAM OPTIONS	LUMEN OUTPUT (lm)	LUMINOUS EFFICACY (lm/w)	COLORS OPTIONS
9 WATT 220-240V 50-60HZ ELECTRONIC IP65 1,50 KG UNIT GROSS WEIGHT	LOW-POWER LED	 3.000°K WARM-WHITE	 360°	---	---	 TEXTURED GREY  MATT WHITE (ON REQUEST)  MATT BLACK (ON REQUEST)

\* OTHER LIGHT COLORS AVAILABLE ON REQUEST: ○ 4.000°K NEUTRAL-WHITE

**401710 HYDROECLIPSE LINEAR 600 LED**

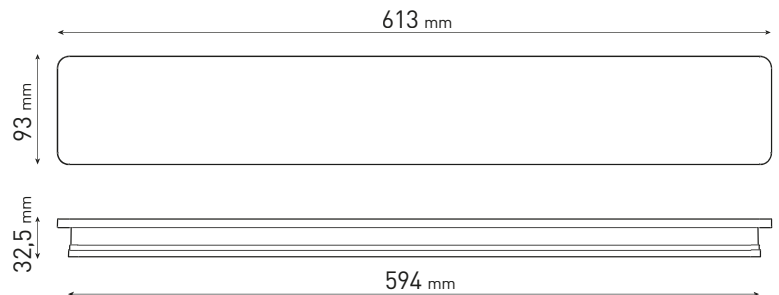
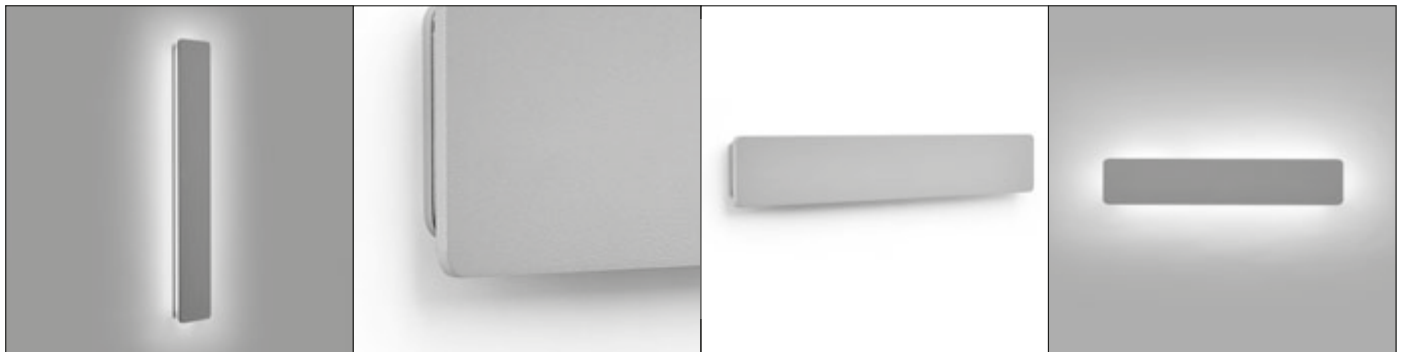
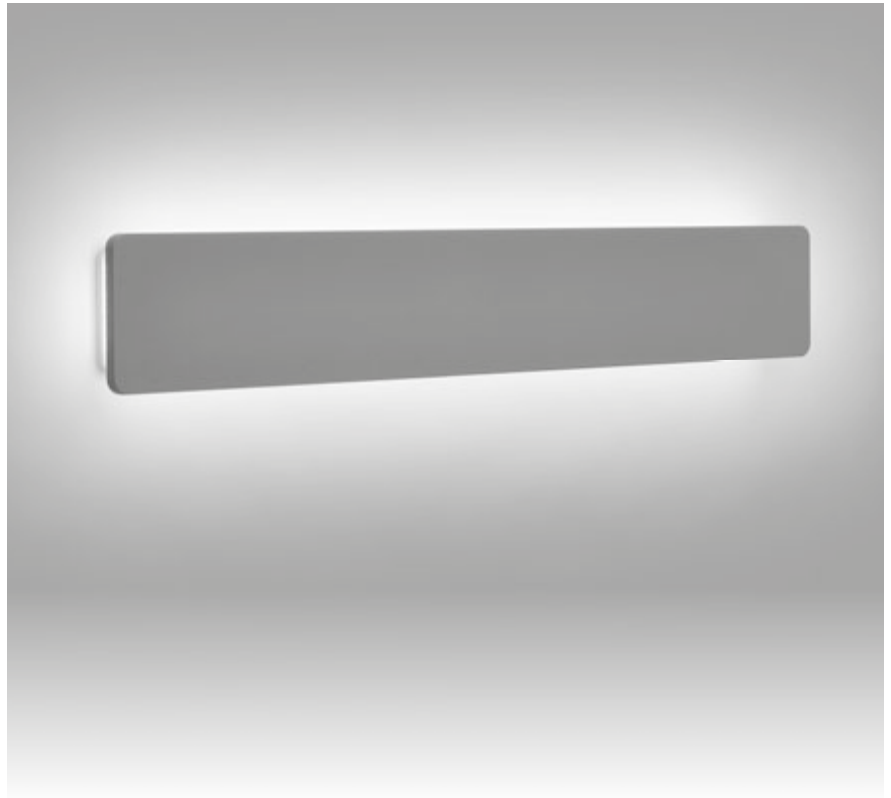
Designed by **paolovilladesign**

Rectangular wall surface-mounted luminaire creating a **diffused and discrete light through the fixture perimeter** on the wall. Fixture for outdoor installation on a wall.

Phospho-chromatised and polyester powder coated die-cast copper-free aluminium body, frosted polycarbonate diffuser, moulded silicone gasket and stainless steel screws. Built-in LED driver 220-240V 50-60Hz, with low-power CREE LED. IP65 rating.

**Energy Label** A++

- Material: high corrosion resistance die-cast copper-free aluminum body
- Coating: polyester powder coating with phosphochromating pre-finish
- Electronic transformer 220/240V 50/60Hz included
- Stainless steel screws
- Silicone rubber gasket
- Polycarbonate diffuser
- M16 rubber grommet Rutaseal® in EPDM



	LIGHT SOURCE	LED COLOR*	LIGHT BEAM OPTIONS	LUMEN OUTPUT (lm)	LUMINOUS EFFICACY (lm/w)	COLORS OPTIONS
18 WATT 220-240V 50-60HZ ELECTRONIC IP65 2,00 KG UNIT GROSS WEIGHT	LOW-POWER LED	3.000°K WARM-WHITE	360°	---	---	<div style="display: flex; flex-direction: column; gap: 5px;"> <div><span style="display: inline-block; width: 15px; height: 15px; background-color: grey; border: 1px solid black;"></span> TEXTURED GREY</div> <div><span style="display: inline-block; width: 15px; height: 15px; background-color: white; border: 1px solid black;"></span> MATT WHITE (ON REQUEST)</div> <div><span style="display: inline-block; width: 15px; height: 15px; background-color: black; border: 1px solid black;"></span> MATT BLACK (ON REQUEST)</div> </div>

\* OTHER LIGHT COLORS AVAILABLE ON REQUEST: ○ 4.000°K NEUTRAL-WHITE



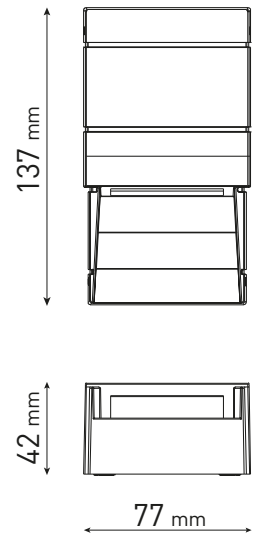







**401607 HYDOSURF MINI RECTANGULAR LED**

Rectangular wall surface-mounted luminaire for outdoor installation on a wall, no recess needed. Phosphochromatised and polyester powder coated die-cast copper-free aluminium body, tempered safety glass, moulded silicone gasket and stainless steel screws. Built-in LED driver 220-240V 50-60Hz, with 6 mid-power CREE XH-G LED. IP65 rating.

**Energy Label** A++

- Material: high corrosion resistance die-cast copper-free aluminum body and frame.
- Coating: polyester powder coating with phosphochromating pre-finish
- NR. 6 x CREE XH-G LED
- Electronic transformer 220/240V 50/60Hz included
- Stainless steel screws
- Silicone rubber gasket
- Tempered safety glass
- M12 rubber grommet Rutaseal® in EPDM



	LIGHT SOURCE	LED COLOR*	LIGHT BEAM OPTIONS	LUMEN OUTPUT (lm)	LUMINOUS EFFICACY (lm/w)	COLORS OPTIONS
4 WATT 220-240V 50-60HZ ELECTRONIC IP65 0,60 KG UNIT GROSS WEIGHT	MID-POWER LED	 3.000°K WARM-WHITE	 FLOOR WASHER 180°	350	87.50	 TEXTURED GREY  MATT WHITE (ON REQUEST)  MATT BLACK (ON REQUEST)

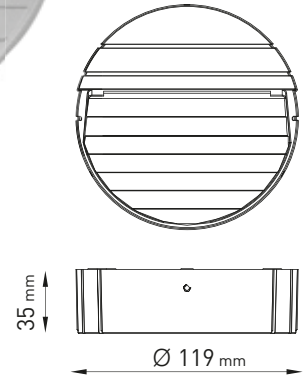
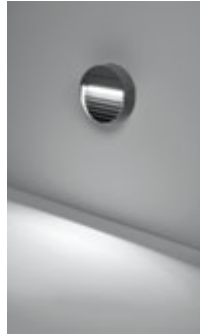







### 401601 HYDOSURF MINI ROUND LED

Round wall surface-mounted luminaire for outdoor installation on a wall, no recess needed. Phospho-chromatised and polyester powder coated die-cast copper-free aluminium body, tempered safety glass, moulded silicone gasket and stainless steel screws. Built-in LED driver 220-240V 50-60Hz, with 6 mid-power CREE XH-G LED. IP65 rating.

#### Energy Label **A++**

- Material: high corrosion resistance die-cast copper-free aluminum body and frame.
- Coating: polyester powder coating with phosphochromating pre-finish
- NR. 6 x CREE XH-G LED
- Electronic transformer 220/240V 50/60Hz included
- Stainless steel screws
- Silicone rubber gasket
- Tempered safety glass
- M12 rubber grommet Rutaseal® in EPDM



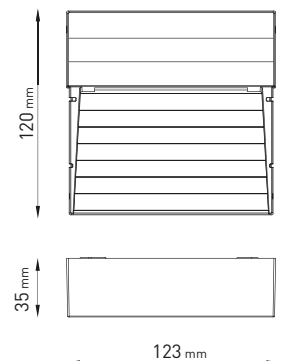
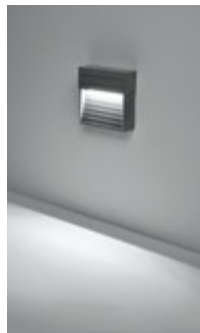
	LIGHT SOURCE	LED COLOR*	LIGHT BEAM OPTIONS	LUMEN OUTPUT (lm)	LUMINOUS EFFICACY (lm/w)	COLORS OPTIONS
4 WATT 220-240V 50-60HZ ELECTRONIC IP65 0,60 KG UNIT GROSS WEIGHT	MID-POWER LED	 3.000°K WARM-WHITE	 FLOOR WASHER 180°	350	87.50	 TEXTURED GREY  MATT WHITE (ON REQUEST)  MATT BLACK (ON REQUEST)






### 401602 HYDOSURF MINI SQUARE LED

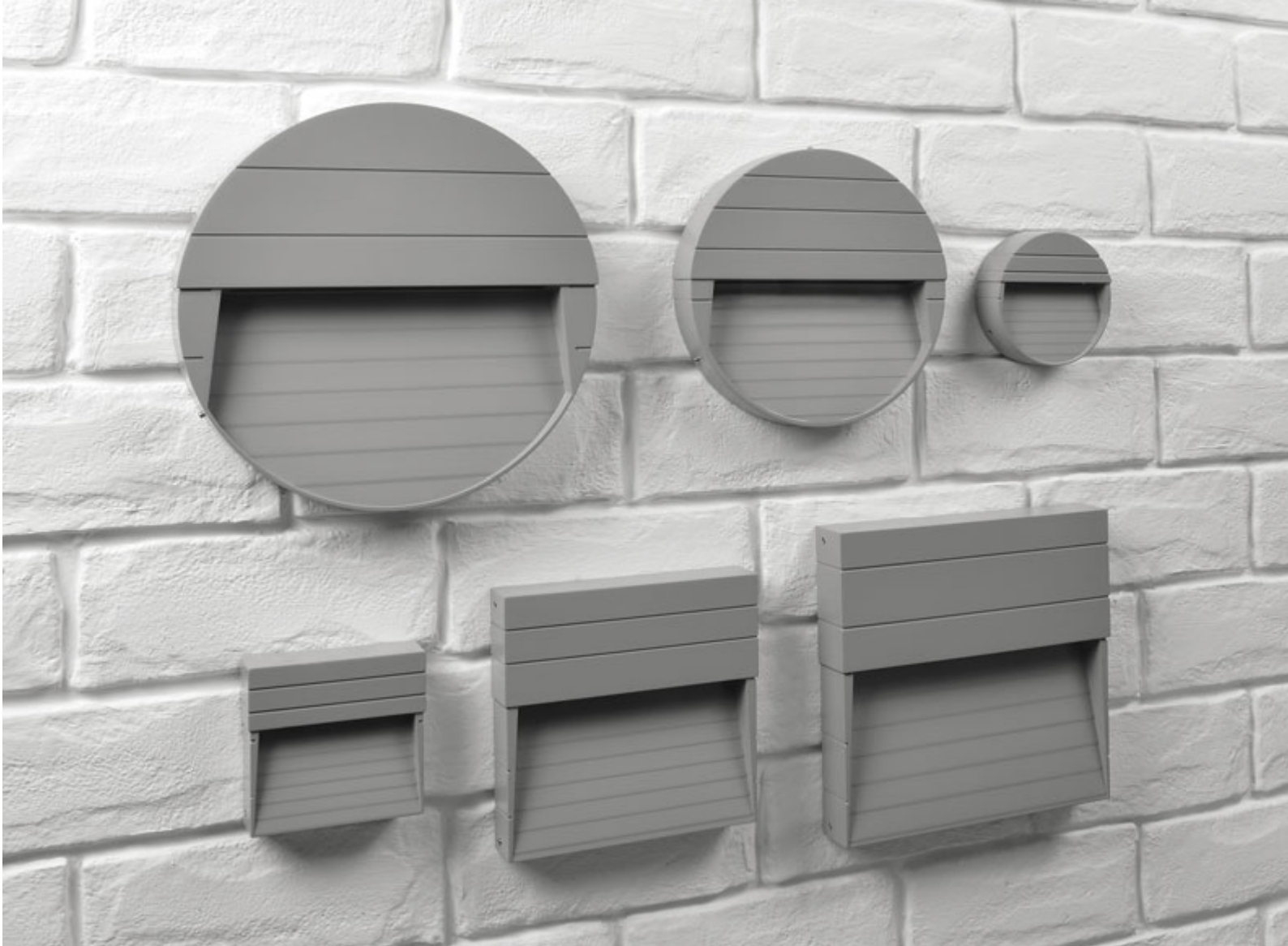
Square wall surface-mounted luminaire for outdoor installation on a wall, no recess needed. Phospho-chromatised and polyester powder coated die-cast copper-free aluminium body, tempered safety glass, moulded silicone gasket and stainless steel screws. Built-in LED driver 220-240V 50-60Hz, with 6 mid-power CREE XH-G LED. IP65 rating.

#### Energy Label **A++**

- Material: high corrosion resistance die-cast copper-free aluminum body and frame.
- Coating: polyester powder coating with phosphochromating pre-finish
- NR. 6 x CREE XH-G LED
- Electronic transformer 220/240V 50/60Hz included
- Stainless steel screws
- Silicone rubber gasket
- Tempered safety glass
- M12 rubber grommet Rutaseal® in EPDM



	LIGHT SOURCE	LED COLOR*	LIGHT BEAM OPTIONS	LUMEN OUTPUT (lm)	LUMINOUS EFFICACY (lm/w)	COLORS OPTIONS
4 WATT 220-240V 50-60HZ ELECTRONIC IP65 0,60 KG UNIT GROSS WEIGHT	MID-POWER LED	 3.000°K WARM-WHITE	 FLOOR WASHER 180°	350	87.50	 TEXTURED GREY  MATT WHITE (ON REQUEST)  MATT BLACK (ON REQUEST)

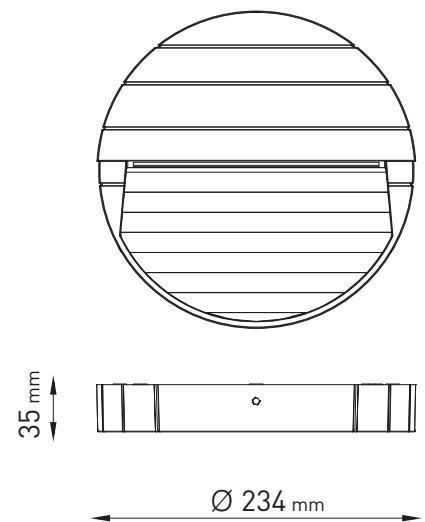
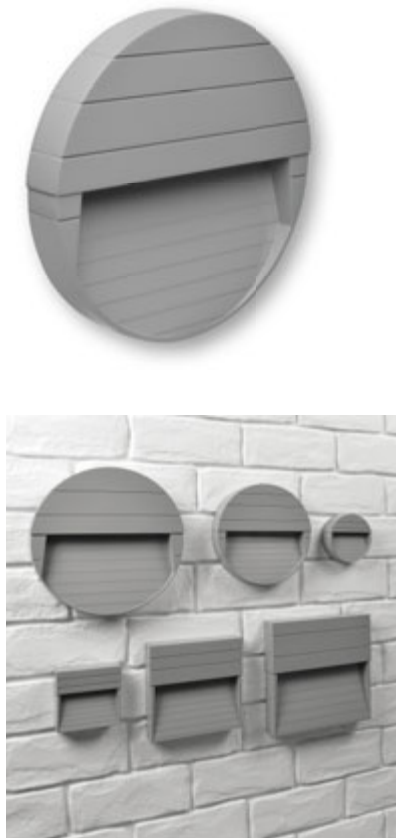


**401603 HYDROSURF MEDIUM ROUND LED**

Round wall surface-mounted luminaire for outdoor installation on a wall, no recess needed. Phospho-chromatised and polyester powder coated die-cast copper-free aluminium body, tempered safety glass, moulded silicone gasket and stainless steel screws. Built-in LED driver 220-240V 50-60Hz, with 14 mid-power CREE XH-G LED. IP65 rating.

**Energy Label** A++

- Material: high corrosion resistance die-cast copper-free aluminum body and frame.
- Coating: polyester powder coating with phosphochromating pre-finish
- NR. 14 x CREE XH-G LED
- Electronic transformer 220/240V 50/60Hz included
- Stainless steel screws
- Silicone rubber gasket
- Tempered safety glass
- M16 rubber grommet Rutaseal® in EPDM



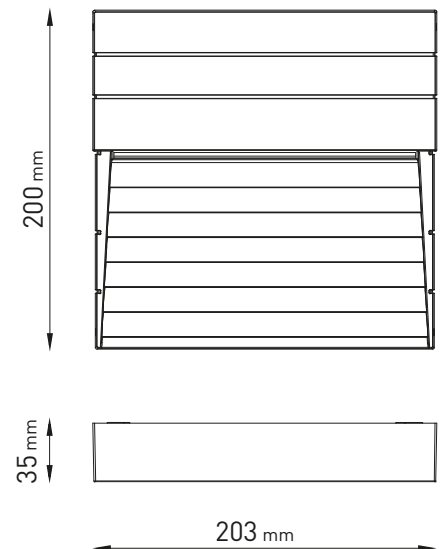
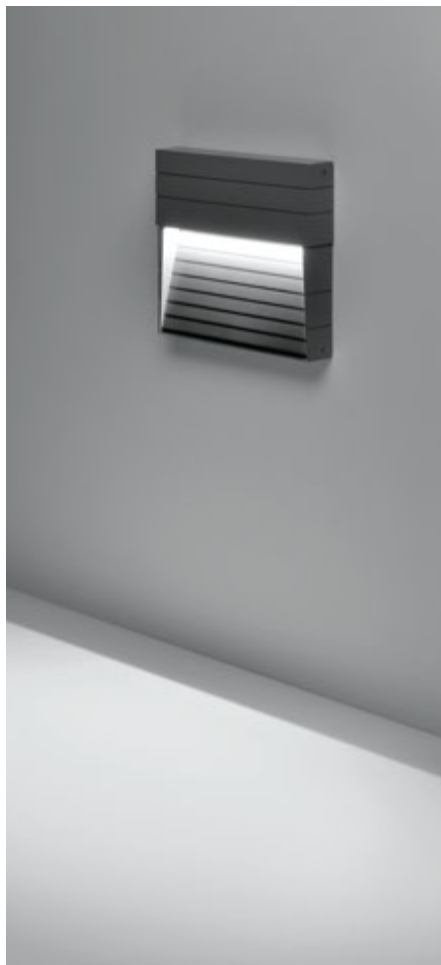
	LIGHT SOURCE	LED COLOR*	LIGHT BEAM OPTIONS	LUMEN OUTPUT (lm)	LUMINOUS EFFICACY (lm/w)	COLORS OPTIONS
8 WATT 220-240V 50-60HZ ELECTRONIC IP65 1,40 KG UNIT GROSS WEIGHT	MID-POWER LED	3.000°K WARM-WHITE	FLOOR WASHER 180°	650	81.25	<div style="display: flex; flex-direction: column; gap: 5px;"> <div><span style="display: inline-block; width: 15px; height: 10px; background-color: grey; border: 1px solid black;"></span> TEXTURED GREY</div> <div><span style="display: inline-block; width: 15px; height: 10px; background-color: white; border: 1px solid black;"></span> MATT WHITE (ON REQUEST)</div> <div><span style="display: inline-block; width: 15px; height: 10px; background-color: black; border: 1px solid black;"></span> MATT BLACK (ON REQUEST)</div> </div>



**401604 HYDROSURF MEDIUM SQUARE LED**

Square wall surface-mounted luminaire for outdoor installation on a wall, no recess needed. Phospho-chromatised and polyester powder coated die-cast copper-free aluminium body, tempered safety glass, moulded silicone gasket and stainless steel screws. Built-in LED driver 220-240V 50-60Hz, with 14 mid-power CREE XH-G LED. IP65 rating.

**Energy Label** A++

- Material: high corrosion resistance die-cast copper-free aluminum body and frame.
- Coating: polyester powder coating with phosphochromating pre-finish
- NR. 14 x CREE XH-G LED
- Electronic transformer 220/240V 50/60Hz included
- Stainless steel screws
- Silicone rubber gasket
- Tempered safety glass
- M16 rubber grommet Rutaseal® in EPDM



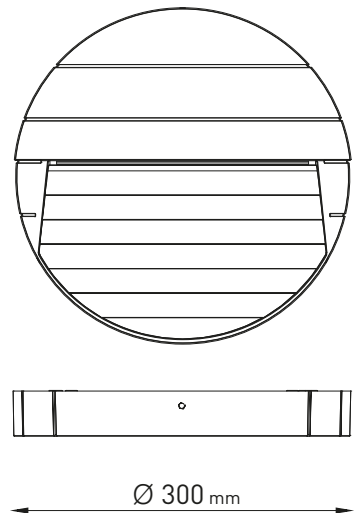
	LIGHT SOURCE	LED COLOR*	LIGHT BEAM OPTIONS	LUMEN OUTPUT (lm)	LUMINOUS EFFICACY (lm/w)	COLORS OPTIONS
8 WATT 220-240V 50-60HZ ELECTRONIC IP65 1,40 KG UNIT GROSS WEIGHT	MID-POWER LED	 3.000°K WARM-WHITE	 FLOOR WASHER 180°	650	81.25	■ TEXTURED GREY □ MATT WHITE (ON REQUEST) ■ MATT BLACK (ON REQUEST)



**401605 HYDROSURF MAXI ROUND LED**

Round wall surface-mounted luminaire for outdoor installation on a wall, no recess needed. Phospho-chromatised and polyester powder coated die-cast copper-free aluminium body, tempered safety glass, moulded silicone gasket and stainless steel screws. Built-in LED driver 220-240V 50-60Hz, with 21 mid-power CREE XH-G LED. IP65 rating.

**Energy Label** A++

- Material: high corrosion resistance die-cast copper-free aluminum body and frame.
- Coating: polyester powder coating with phosphochromating pre-finish
- NR. 21 x CREE XH-G LED
- Electronic transformer 220/240V 50/60Hz included
- Stainless steel screws
- Silicone rubber gasket
- Tempered safety glass
- M16 rubber grommet Rutaseal<sup>®</sup> in EPDM



	LIGHT SOURCE	LED COLOR*	LIGHT BEAM OPTIONS	LUMEN OUTPUT (lm)	LUMINOUS EFFICACY (lm/w)	COLORS OPTIONS
14 WATT 220-240V 50-60HZ ELECTRONIC IP65 2 KG UNIT GROSS WEIGHT	MID-POWER LED	 3.000°K WARM-WHITE	 FLOOR WASHER 180°	1.000	71.43	<div style="display: flex; flex-direction: column; gap: 5px;"> <div><span style="display: inline-block; width: 15px; height: 15px; background-color: grey; border: 1px solid black;"></span> TEXTURED GREY</div> <div><span style="display: inline-block; width: 15px; height: 15px; background-color: white; border: 1px solid black;"></span> MATT WHITE (ON REQUEST)</div> <div><span style="display: inline-block; width: 15px; height: 15px; background-color: black; border: 1px solid black;"></span> MATT BLACK (ON REQUEST)</div> </div>

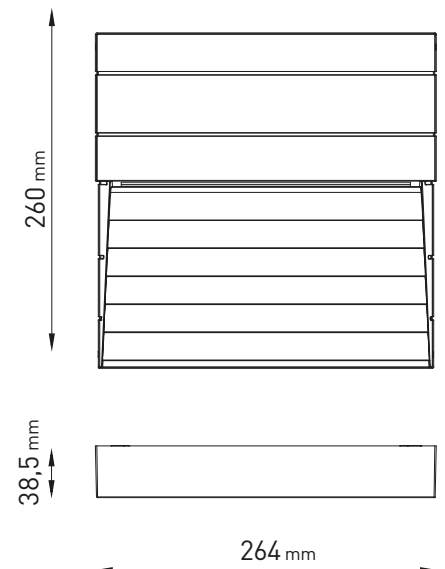




**401606 HYDROSURF MAXI SQUARE LED**

Square wall surface-mounted luminaire for outdoor installation on a wall, no recess needed. Phospho-chromatised and polyester powder coated die-cast copper-free aluminium body, tempered safety glass, moulded silicone gasket and stainless steel screws. Built-in LED driver 220-240V 50-60Hz, with 21 mid-power CREE XH-G LED. IP65 rating.

**Energy Label** A++

- Material: high corrosion resistance die-cast copper-free aluminum body and frame.
- Coating: polyester powder coating with phosphochromating pre-finish
- NR. 21 x CREE XH-G LED
- Electronic transformer 220/240V 50/60Hz included
- Stainless steel screws
- Silicone rubber gasket
- Tempered safety glass
- M16 rubber grommet Rutaseal® in EPDM



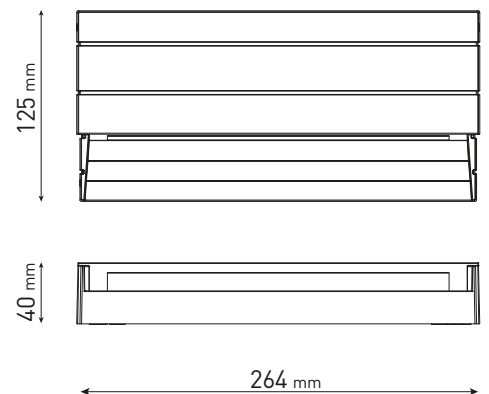
	LIGHT SOURCE	LED COLOR*	LIGHT BEAM OPTIONS	LUMEN OUTPUT (lm)	LUMINOUS EFFICACY (lm/w)	COLORS OPTIONS
14 WATT 220-240V 50-60HZ ELECTRONIC IP65 2 KG UNIT GROSS WEIGHT	MID-POWER LED	 3.000°K WARM-WHITE	 FLOOR WASHER 180°	1.000	71.43	<div style="display: flex; flex-direction: column; gap: 5px;"> <div><span style="display: inline-block; width: 15px; height: 15px; background-color: #cccccc; border: 1px solid black;"></span> TEXTURED GREY</div> <div><span style="display: inline-block; width: 15px; height: 15px; background-color: #ffffff; border: 1px solid black;"></span> MATT WHITE (ON REQUEST)</div> <div><span style="display: inline-block; width: 15px; height: 15px; background-color: #333333; border: 1px solid black;"></span> MATT BLACK (ON REQUEST)</div> </div>






**401608 HYDOSURF MAXI RECTANGULAR LED**

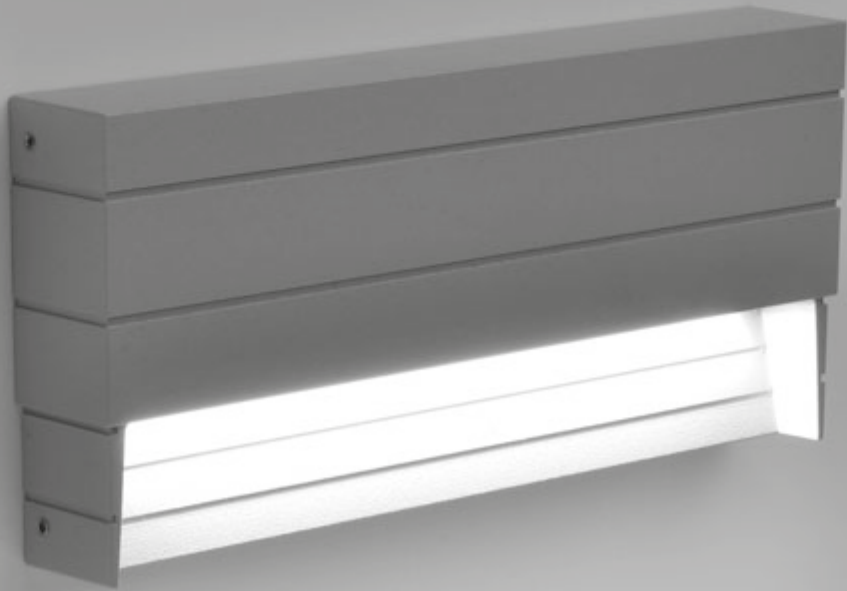
Rectangular wall surface-mounted luminaire for outdoor installation on a wall, no recess needed. Phosphochromatised and polyester powder coated die-cast copper-free aluminium body, tempered safety glass, moulded silicone gasket and stainless steel screws. Built-in LED driver 220-240V 50-60Hz, with 21 mid-power CREE XH-G LED. IP65 rating.

**Energy Label** A++

- Material: high corrosion resistance die-cast copper-free aluminum body and frame.
- Coating: polyester powder coating with phosphochromating pre-finish
- NR. 21 x CREE XH-G LED
- Electronic transformer 220/240V 50/60Hz included
- Stainless steel screws
- Silicone rubber gasket
- Tempered safety glass
- M16 rubber grommet Rutaseal<sup>®</sup> in EPDM



	LIGHT SOURCE	LED COLOR*	LIGHT BEAM OPTIONS	LUMEN OUTPUT (lm)	LUMINOUS EFFICACY (lm/w)	COLORS OPTIONS
14 WATT 220-240V 50-60HZ ELECTRONIC IP65 1,70 KG UNIT GROSS WEIGHT	MID-POWER LED	 3.000°K WARM-WHITE	 FLOOR WASHER 180°	1.000	71.43	 TEXTURED GREY  MATT WHITE (ON REQUEST)  MATT BLACK (ON REQUEST)



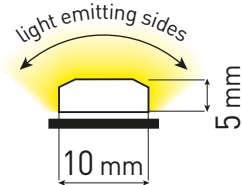
**402101-2 HYDROCOVE 5000 LED**

**NEW**

Cove light 5.000 mm length, 5 mm x 10 mm section, fully encapsulated flexible LED strip for linear lighting outdoor and indoor; LED circuit completely encapsulated with UV and high-resistant polyurethane sheath, with transparent finish, homogeneous light emission. LED brand Nichia 757. 24V DC remote driver needed. IP68 rated.

**Energy Label** **A++**

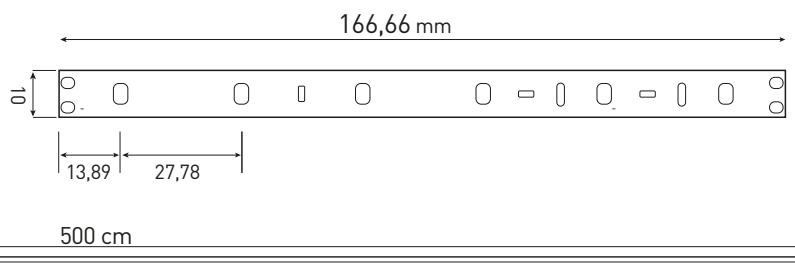
- Material: high performances Polyurethane, UV resistant, saltwater resistant.
- No yellowish after years
- 24V DC remote driver needed



**402101 HYDROCOVE X36 5000 LED**

**NEW**

Cuttable every 166.66 mm.  
Nr. 36 LED per meter,



	LIGHT SOURCE	LED COLOR*	LIGHT BEAM OPTIONS	LUMEN OUTPUT (lm)	LUMINOUS EFFICACY (lm/w)	COLORS OPTIONS
9 WATT 24V DC IP68	LOW-POWER LED	3.000°K WARM-WHITE	DIFFUSED	510 / METER	56.66	<input type="checkbox"/> TRANSPARENT

\* OTHER LIGHT COLORS AVAILABLE ON REQUEST: ○ 4.000°K NEUTRAL-WHITE

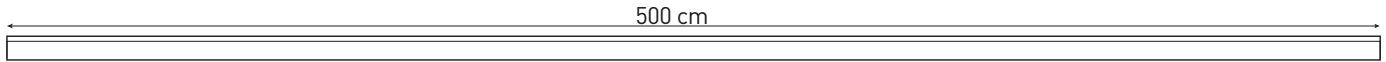
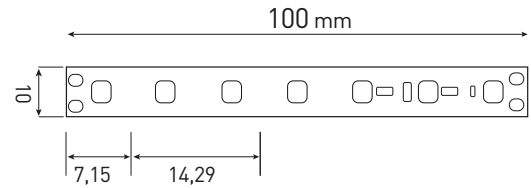
**REMOTE DRIVER SELECTION**

BRAND	MANUFACTURER CODE	TYPE	WATT	IP RATE	NUMBERS OF FIXTURES
<b>MEANWELL</b>	LPV-60-24	CONSTANT VOLTAGE 24V DC	100W	IP67	1

**402102 HYDROCOVE X70 5000 LED**



Cuttable every 100 mm. Nr. 70 LED per meter, LED brand Nichia 757. 24V DC remote driver needed. IP68 rated.



	LIGHT SOURCE	LED COLOR*	LIGHT BEAM OPTIONS	LUMEN OUTPUT (lm)	LUMINOUS EFFICACY (lm/w)	COLORS OPTIONS
18 WATT 24V DC IP68	LOW-POWER LED	3.000°K WARM-WHITE	DIFFUSED	1.500 / METER	83.33	TRANSPARENT

\* OTHER LIGHT COLORS AVAILABLE ON REQUEST: ○ 4.000°K NEUTRAL-WHITE

**REMOTE DRIVER SELECTION**

BRAND	MANUFACTURER CODE	TYPE	WATT	IP RATE	NUMBERS OF FIXTURES
MEANWELL	LPV-60-24	CONSTANT VOLTAGE 24V DC	100W	IP67	1

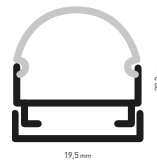
**AC039 ALUMINUM LINEAR PROFILE FOR HYDROCOVE RANGE**

1.000 mm Linear profile for Hydrocove, realized in anodized aluminum, to secure with screws. Ideal for straight installation on a wall or ceiling.



**AC040 ROUND COVER - DIFFUSER**

Round shape opal diffuser in polycarbonate, to be used with aluminum profile.



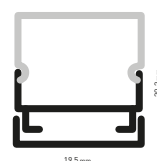
**AC041 ROUND END CAP**

Plastic end cap to close aluminum profile + round diffuser.



**AC042 SQUARE COVER - DIFFUSER**

Square shape opal diffuser in polycarbonate, to be used with aluminum profile.



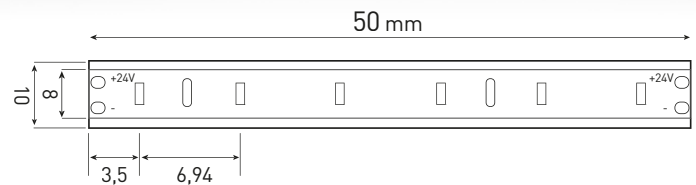
**AC043 SQUARE END CAP**

Plastic end cap to close aluminum profile + square diffuser.



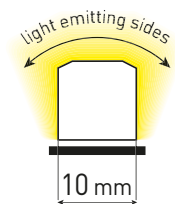
**401801-02-03 HYDROFLEX MINI LED**

1.000 / 3.000 / 5.000 mm length, 10mm x 10mm section, opal encapsulated flexible LED strip for linear lighting (straight or bended) outdoor and indoor wall-recessed installation; surface mounted version through installation accessories to be ordered separately. LED circuit completely encapsulated with UV and high-temperatures resistant Polyurethane sheath, with white (outside) and milky finish (over light emission), dot free and homogeneous light emission surface. Double power cable with male/female connectors included, suitable for in-line installation. Cuttable every 50 mm. Remote driver 24V DC needed. With low-power SMD3014 Lumileds LED. IP68 rating.

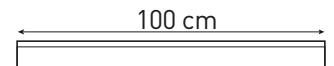


**Energy Label** A++

- Material: high performances Polyurethane, UV resistant, saltwater resistant.
- No yellowish after years
- Dot-free and homogeneous light emission.
- 24V DC remote driver needed
- Supplied with Male/Female connectors for in-line installation.



**401801 HYDROFLEX MINI 1000 LED**



**Full RGB**  
AVAILABLE ON REQUEST

	LIGHT SOURCE	LED COLOR*	LIGHT BEAM OPTIONS	LUMEN OUTPUT (lm)	LUMINOUS EFFICACY (lm/w)	COLORS OPTIONS
10 WATT 24V DC IP68	LOW-POWER LED	3.000°K WARM-WHITE	DIFFUSED	750	75.00	MILKY

**REMOTE DRIVER SELECTION**

BRAND	MANUFACTURER CODE	TYPE	WATT	IP RATE	NUMBERS OF FIXTURES
MEANWELL	LPV-20-24	CONSTANT VOLTAGE 24V DC	20W	IP67	1
MEANWELL	LPV-35-24	CONSTANT VOLTAGE 24V DC	35W	IP67	MIN 1 - MAX 2
MEANWELL	LPV-60-24	CONSTANT VOLTAGE 24V DC	60W	IP67	MIN 1 - MAX 5
MEANWELL	LPV-100-24	CONSTANT VOLTAGE 24V DC	100W	IP67	MIN 1 - MAX 9

**401802 HYDROFLEX MINI 3000 LED**

300 cm



	LIGHT SOURCE	LED COLOR*	LIGHT BEAM OPTIONS	LUMEN OUTPUT (lm)	LUMINOUS EFFICACY (lm/w)	COLORS OPTIONS
30 WATT 24V DC IP68	LOW-POWER LED	3.000°K WARM-WHITE	DIFFUSED	2.250	75.00	MILKY

**REMOTE DRIVER SELECTION**

BRAND	MANUFACTURER CODE	TYPE	WATT	IP RATE	NUMBERS OF FIXTURES
MEANWELL	LPV-35-24	CONSTANT VOLTAGE 24V DC	35W	IP67	1
MEANWELL	LPV-100-24	CONSTANT VOLTAGE 24V DC	100W	IP67	MIN 1 - MAX 3

**401803 HYDROFLEX MINI 5000 LED**

500 cm



	LIGHT SOURCE	LED COLOR*	LIGHT BEAM OPTIONS	LUMEN OUTPUT (lm)	LUMINOUS EFFICACY (lm/w)	COLORS OPTIONS
50 WATT 24V DC IP68	LOW-POWER LED	3.000°K WARM-WHITE	DIFFUSED	3.750	75.00	MILKY

**REMOTE DRIVER SELECTION**

BRAND	MANUFACTURER CODE	TYPE	WATT	IP RATE	NUMBERS OF FIXTURES
MEANWELL	LPV-100-24	CONSTANT VOLTAGE 24V DC	100W	IP67	1

**AC028 MOUNTING CLIP FOR HYDROFLEX MINI**

Mounting clip for Hydroflex Mini, realized in Stainless steel, clip to be applied every 40 cm, to secure with screws. Ideal for bended installation on a wall or ceiling.



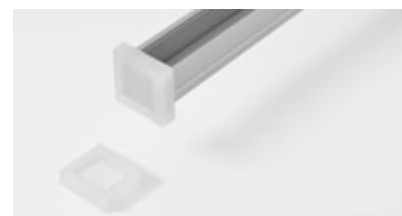
**AC029 ALUMINUM LINEAR PROFILE FOR HYDROFLEX MINI**

1.000 mm Linear profile for Hydroflex Mini, realized in Anodized aluminum, supplied with nr. 2 clips to be applied every 40 cm, to secure with screws. Ideal for straight installation on a wall or ceiling.



**AC030 END CAP FOR HYDROFLEX MINI**

End cap for Hydroflex Mini, realized in Polyurethane, to be applied at the end of the line, after Hydroflex cut.







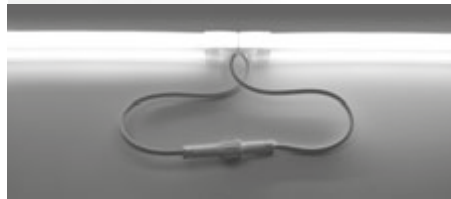


**401804-05 HYDROFLEX SIDE LED**

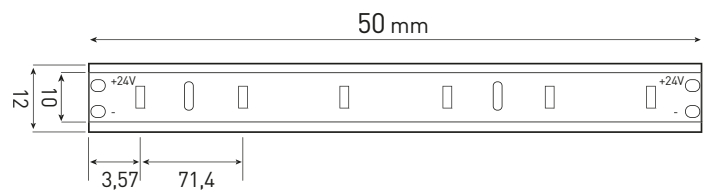
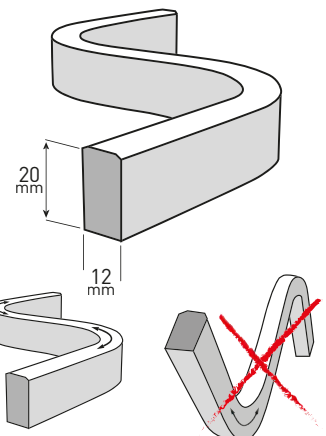
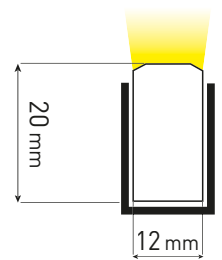
1.000 / 4.000 mm length, 20mm x 12mm section, opal encapsulated flexible LED strip for linear lighting (straight or bended) outdoor and indoor wall-recessed installation; surface mounted version through installation accessories to be ordered separately. LED circuit completely encapsulated with UV and high-temperatures resistant Polyurethane sheath, with white (outside) and milky finish (over light emission), dot free and homogeneous light emission surface. Double power cable with male/female connectors included, suitable for in-line installation. Cuttable each 50 mm. Remote driver 24V DC needed. With low-power SMD3014 Lumileds LED. IP68 rating.

**Energy Label** A++

- Material: high performances Polyurethane, UV resistant, saltwater resistant.
- No yellowish after years
- Dot-free and homogeneous light emission.
- 24V DC remote driver needed
- Supplied with Male/Female connectors for in-line installation.



NO LIGHT INTERRUPTION



**401804 HYDROFLEX SIDE 1000 LED**

100 cm

**FullRGB**  
AVAILABLE ON REQUEST

	LIGHT SOURCE	LED COLOR*	LIGHT BEAM OPTIONS	LUMEN OUTPUT (lm)	LUMINOUS EFFICACY (lm/w)	COLORS OPTIONS
10 WATT 24V DC IP68	LOW-POWER LED	3.000°K WARM-WHITE	DIFFUSED	750	75.00	MILKY

**REMOTE DRIVER SELECTION**

BRAND	MANUFACTURER CODE	TYPE	WATT	IP RATE	NUMBERS OF FIXTURES
MEANWELL	LPV-20-24	CONSTANT VOLTAGE 24V DC	20W	IP67	1
MEANWELL	LPV-35-24	CONSTANT VOLTAGE 24V DC	35W	IP67	MIN 1 - MAX 2
MEANWELL	LPV-60-24	CONSTANT VOLTAGE 24V DC	60W	IP67	MIN 1 - MAX 5
MEANWELL	LPV-100-24	CONSTANT VOLTAGE 24V DC	100W	IP67	MIN 1 - MAX 9

**401805 HYDROFLEX SIDE 4000 LED**

400 cm

**FullRGB**  
AVAILABLE ON REQUEST

	LIGHT SOURCE	LED COLOR*	LIGHT BEAM OPTIONS	LUMEN OUTPUT (lm)	LUMINOUS EFFICACY (lm/w)	COLORS OPTIONS
40 WATT 24V DC IP68	LOW-POWER LED	3.000°K WARM-WHITE	DIFFUSED	2.250	75.00	MILKY

**REMOTE DRIVER SELECTION**

BRAND	MANUFACTURER CODE	TYPE	WATT	IP RATE	NUMBERS OF FIXTURES
MEANWELL	LPV-60-24	CONSTANT VOLTAGE 24V DC	60W	IP67	1
MEANWELL	LPV-100-24	CONSTANT VOLTAGE 24V DC	100W	IP67	MIN 1 - MAX 2

**AC031 MOUNTING CLIP FOR HYDROFLEX SIDE**

Mounting clip for Hydroflex Side realized in Stainless steel, clip to be applied every 40 cm, to secure with screws. Ideal for bended installation on a wall or ceiling.



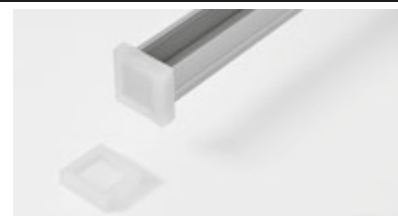
**AC032 ALUMINUM LINEAR PROFILE FOR HYDROFLEX SIDE**

1.000 mm Linear profile for Hydroflex Side, realized in Anodized aluminum, supplied with nr. 2 clips to be applied every 40 cm, to secure with screws. Ideal for straight installation on a wall or ceiling.



**AC033 END CAP FOR HYDROFLEX SIDE**

End cap for Hydroflex Side, realized in Polyurethane, to be applied at the end of the line, after Hydroflex cut.

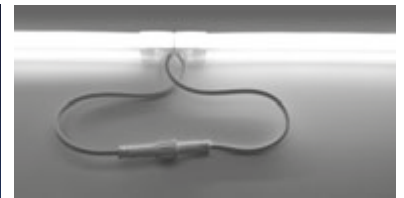


**401806-07 HYDROFLEX TOP LED**

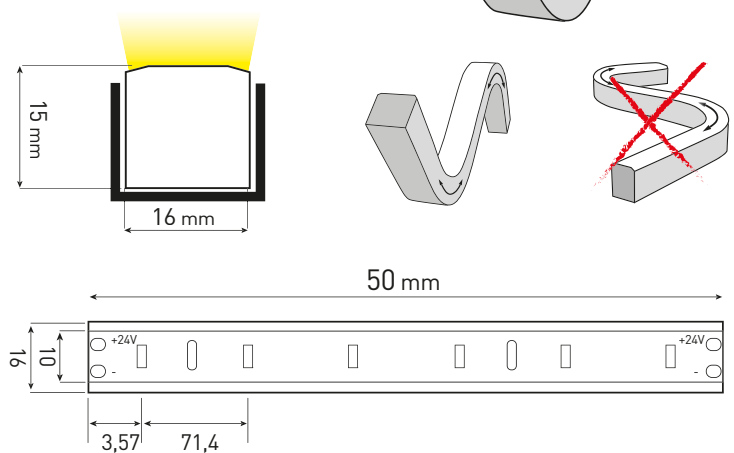
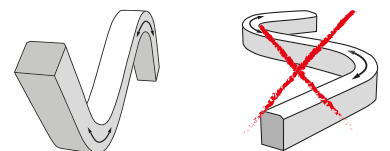
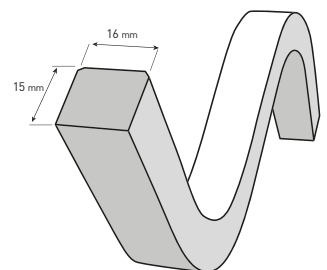
1.000 / 4.000 mm length, 16mm x 15 mm section, opal encapsulated flexible LED strip for linear lighting (straight or bended) outdoor and indoor wall-recessed installation; surface mounted version through installation accessories to be ordered separately. LED circuit completely encapsulated with UV and high-temperatures resistant Polyurethane sheath, with white (outside) and milky finish (over light emission), dot free and homogeneous light emission surface. Double power cable with male/female connectors included, suitable for in-line installation. Cuttable each 50 mm. Remote driver 24V DC needed. With low-power SMD3014 Lumileds LED. IP68 rating.

**Energy Label** **A++**

- Material: high performances Polyurethane, UV resistant, saltwater resistant.
- No yellowish after years
- Dot-free and homogeneous light emission.
- 24V DC remote driver needed
- Supplied with Male/Female connectors for in-line installation.



**NO LIGHT INTERRUPTION**



**401806** HYDROFLEX TOP 1000 LED

100 cm



	LIGHT SOURCE	LED COLOR*	LIGHT BEAM OPTIONS	LUMEN OUTPUT (lm)	LUMINOUS EFFICACY (lm/w)	COLORS OPTIONS
10 WATT 24V DC IP68	LOW-POWER LED	3.000°K WARM-WHITE	DIFFUSED	750	75.00	MILKY

**REMOTE DRIVER SELECTION**

BRAND	MANUFACTURER CODE	TYPE	WATT	IP RATE	NUMBERS OF FIXTURES
MEANWELL	LPV-20-24	CONSTANT VOLTAGE 24V DC	20W	IP67	1
MEANWELL	LPV-35-24	CONSTANT VOLTAGE 24V DC	35W	IP67	MIN 1 - MAX 2
MEANWELL	LPV-60-24	CONSTANT VOLTAGE 24V DC	60W	IP67	MIN 1 - MAX 5
MEANWELL	LPV-100-24	CONSTANT VOLTAGE 24V DC	100W	IP67	MIN 1 - MAX 9

**401807** HYDROFLEX TOP 4000 LED

400 cm



	LIGHT SOURCE	LED COLOR*	LIGHT BEAM OPTIONS	LUMEN OUTPUT (lm)	LUMINOUS EFFICACY (lm/w)	COLORS OPTIONS
40 WATT 24V DC IP68	LOW-POWER LED	3.000°K WARM-WHITE	DIFFUSED	2.250	75.00	MILKY

**REMOTE DRIVER SELECTION**

BRAND	MANUFACTURER CODE	TYPE	WATT	IP RATE	NUMBERS OF FIXTURES
MEANWELL	LPV-60-24	CONSTANT VOLTAGE 24V DC	60W	IP67	1
MEANWELL	LPV-100-24	CONSTANT VOLTAGE 24V DC	100W	IP67	MIN 1 - MAX 2

**AC034** MOUNTING CLIP FOR HYDROFLEX TOP

Mounting clip for Hydroflex Top, realized in Stainless steel, clip to be applied every 40 cm, to secure with screws. Ideal for bended installation on a wall or ceiling.



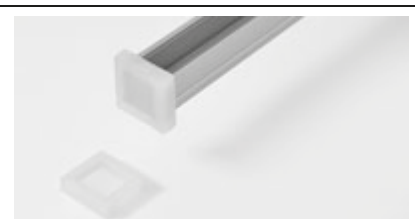
**AC035** ALUMINUM LINEAR PROFILE FOR HYDROFLEX TOPSIDE

1.000 mm Linear profile for Hydroflex Top, realized in Anodized aluminum, supplied with nr. 2 clips to be applied every 40 cm, to secure with screws. Ideal for straight installation on a wall or ceiling.



**AC036** END CAP FOR HYDROFLEX TOP

End cap for Hydroflex Top, realized in Polyurethane, to be applied at the end of the line, after Hydroflex cut.

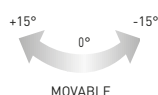
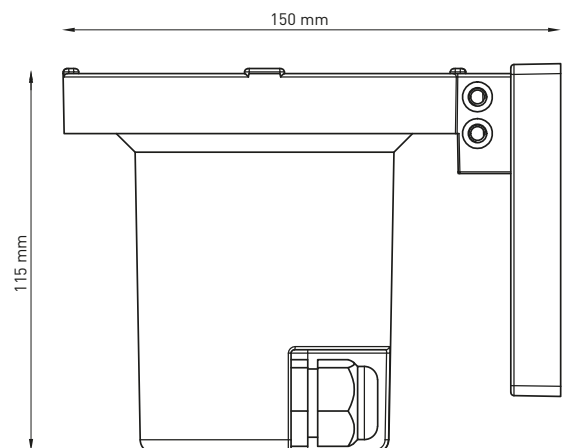


**402001 HYDROBRACKET MINI LED**







Round up or down luminaire for outdoor installation on a façade/wall. Phosphochromatised and polyester powder coated die-cast copper-free aluminium body, tempered safety glass, moulded silicone gasket and stainless steel screws. built-in LED driver 220-240V 50-60Hz, with 3 CREE XP-G3 LED. IP67 rating.

**Energy Label** A++

- Material: high corrosion resistance die-cast copper-free aluminum body
- Coating: polyester powder coating with phosphochromating pre-finish
- NR. 3 x 1W CREE "XP-G3" LED
- Electronic transformer 220/240V 50/60Hz included
- Stainless steel screws
- Silicone rubber gasket
- Tempered safety glass.
- Protection against impact IK09 (10 joule)
- M20 cable gland.
- Adjustable +/- 15 degrees.
- 3 mt. neoprene power cable included



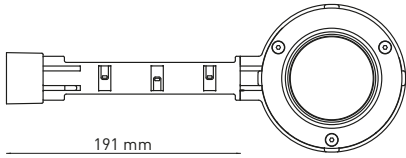
3 WATT  
220-240V 50-60HZ ELECTRONIC  
IP67  
1.25 KG UNIT GROSS WEIGHT



LIGHT SOURCE	LED COLOR*	LIGHT BEAM OPTIONS	LUMEN OUTPUT (lm)	LUMINOUS EFFICACY (lm/w)	COLORS OPTIONS
HIGH-POWER LED	3.000°K WARM-WHITE	 10°	346	115.33	<div style="display: flex; flex-direction: column; align-items: flex-start;"> <div style="margin-bottom: 5px;"><span style="display: inline-block; width: 15px; height: 15px; background-color: #cccccc; margin-right: 5px;"></span> TEXTURED GREY</div> <div><span style="display: inline-block; width: 15px; height: 15px; background-color: #333333; margin-right: 5px;"></span> MATT BLACK</div> </div>
		 30°	329	109.66	
		 45°	312	104.00	
	4.000°K NEUTRAL-WHITE	 10°	360	120.00	
		 30°	342	114.00	
		 45°	325	108.33	

\* OTHER LIGHT COLORS AVAILABLE ON REQUEST: ● BLUE

**402003 HYDROBRACKET MINI LED - EXTENSIBLE BRACKET**

- High corrosion resistance die-cast aluminum body and bracket
- Polyester painting with phosphocromating pre-finish





AVAILABLE COLOURS	
	TEXTURE
	BLACK

**402005 HYDROBRACKET MINI LED - VISOR**

- High corrosion resistance die-cast aluminum body and bracket
- Polyester painting with phosphocromating pre-finish





AVAILABLE COLOURS	
	TEXTURE
	BLACK

**402007 HYDROBRACKET MINI LED - EARTH SPIKE**

- High corrosion resistance die-cast aluminum body and bracket
- Polyester painting with phosphocromating pre-finish
- Earth Spike made in plastic material

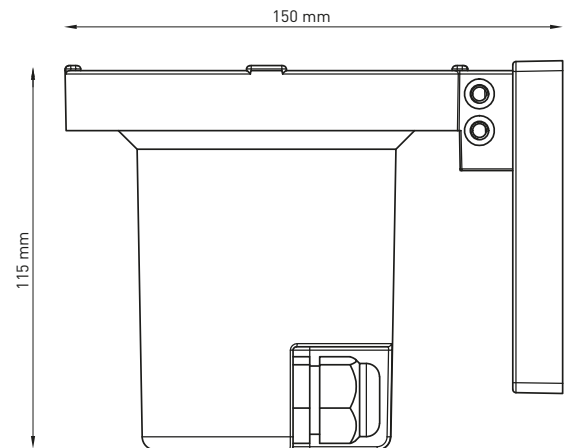



AVAILABLE COLOURS	
	TEXTURE
	BLACK

**402002P HYDROBRACKET MINI GU10**

Round up or down luminaire for outdoor installation on a façade/wall. Phospho-chromatised and polyester powder coated die-cast copper-free aluminium body, tempered safety glass, moulded silicone gasket and stainless steel screws. GU10 LED / halogen. IP67 rating.

- Material: high corrosion resistance die-cast copper-free aluminum body
- Coating: polyester powder coating with phosphochromating pre-finish
- GU10 base, MAX 50W
- Stainless steel screws
- Silicone rubber gasket
- Tempered safety glass.
- Protection against impact IK09 (10 joule)
- M20 cable gland.
- Adjustable +/- 15 degrees.

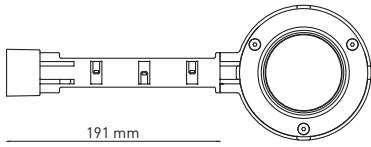




	LIGHT SOURCE	LIGHT COLOR	LIGHT BEAM OPTIONS	COLORS OPTIONS
50 WATT MAX 220-240V 50-60HZ IP65 1.20 KG UNIT GROSS WEIGHT	 GU10 LED / HALOGEN	SEE BULB FEATURES	SEE BULB FEATURES	■ TEXTURED GREY ■ MATT BLACK



**402004P HYDROBRACKET MINI GU 10 - EXTENSIBLE BRACKET**

- High corrosion resistance die-cast aluminum body and bracket
- Polyester painting with phosphocromating pre-finish





AVAILABLE COLOURS	
	TEXTURE
	BLACK

**402006P HYDROBRACKET MINI GU 10 - VISOR**

- High corrosion resistance die-cast aluminum body and bracket
- Polyester painting with phosphocromating pre-finish





AVAILABLE COLOURS	
	TEXTURE
	BLACK

**402008P HYDROBRACKET MINI GU 10 - EARTH SPIKE**

- High corrosion resistance die-cast aluminum body and bracket
- Polyester painting with phosphocromating pre-finish
- Earth Spike made in plastic material



AVAILABLE COLOURS	
	TEXTURE
	BLACK

**402009 HYDROBRACKET MEDIUM LED**

Round up or down luminaire for outdoor installation on a façade/wall. Phosphochromatised and polyester powder coated die-cast copper-free aluminium body, tempered safety glass, moulded silicone gasket and stainless steel screws. built-in LED driver 220-240V 50-60Hz, with 5 CREE XP-G3 LED. IP67 rating.

**Energy Label** A++

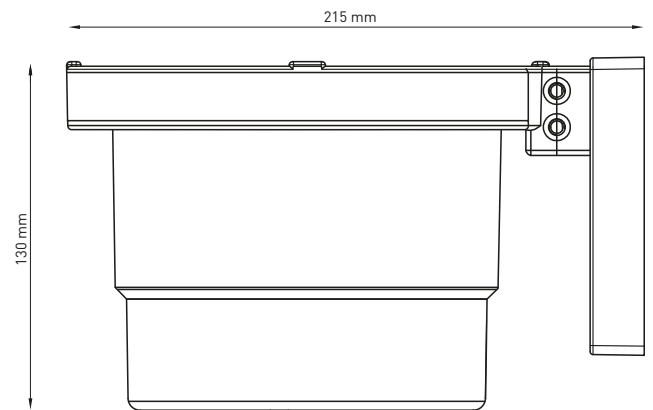
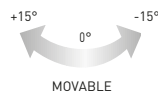
- Material: high corrosion resistance die-cast copper-free aluminum body
- Coating: polyester powder coating with phosphochromating pre-finish
- NR. 5 x 1.5W CREE "XP-G3" LED
- Electronic transformer 220/240V 50/60Hz included
- Stainless steel screws
- Silicone rubber gasket
- Tempered safety glass.
- M20 cable gland.
- Adjustable +/- 15 degrees.
- 1 mt. neoprene power cable included



1-10 V DIMMABLE / DALI VERSION  
AVAILABLE ON REQUEST



AVAILABLE ON REQUEST



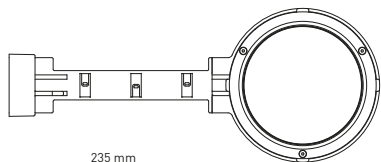
8 WATT  
220-240V 50-60HZ ELECTRONIC  
IP65  
2.20 KG UNIT GROSS WEIGHT



LIGHT SOURCE	LED COLOR*	LIGHT BEAM OPTIONS	LUMEN OUTPUT (lm)	LUMINOUS EFFICACY (lm/w)	COLORS OPTIONS
HIGH-POWER LED	3.000°K WARM-WHITE	<b>M</b> 10°	720	90.00	<div style="display: flex; flex-direction: column; align-items: flex-start;"> <div style="margin-bottom: 5px;"><span style="display: inline-block; width: 15px; height: 15px; background-color: #808080; margin-right: 5px;"></span> TEXTURED GREY</div> <div><span style="display: inline-block; width: 15px; height: 15px; background-color: #333; margin-right: 5px;"></span> MATT BLACK</div> </div>
		<b>M</b> 30°	684	85.50	
		<b>M</b> 45°	650	81.25	
	4.000°K NEUTRAL-WHITE	<b>M</b> 10°	750	93.75	
		<b>M</b> 30°	713	89.13	
		<b>M</b> 45°	677	84.63	

\* OTHER LIGHT COLORS AVAILABLE ON REQUEST: ● BLUE

**402011 HYDROBRACKET MEDIUM LED - EXTENSIBLE BRACKET**

- High corrosion resistance die-cast aluminum body and bracket
- Polyester painting with phosphocromating pre-finish





AVAILABLE COLOURS	
	TEXTURE
	BLACK

**402013 HYDROBRACKET MEDIUM LED - VISOR**

- High corrosion resistance die-cast aluminum body and bracket
- Polyester painting with phosphocromating pre-finish




AVAILABLE COLOURS	
	TEXTURE
	BLACK

**402015 HYDROBRACKET MEDIUM LED - EARTH SPIKE**

- High corrosion resistance die-cast aluminum body and bracket
- Polyester painting with phosphocromating pre-finish
- Earth Spike made in plastic material



AVAILABLE COLOURS	
	TEXTURE
	BLACK

**402017 HYDROBRACKET MAXI LED**

Round up or down luminaire for outdoor installation on a façade/wall. Phosphochromatised and polyester powder coated die-cast copper-free aluminium body, tempered safety glass, moulded silicone gasket and stainless steel screws. Built-in LED driver 220-240V 50-60Hz, with 8 CREE XP-G3 LED. IP67 rating.

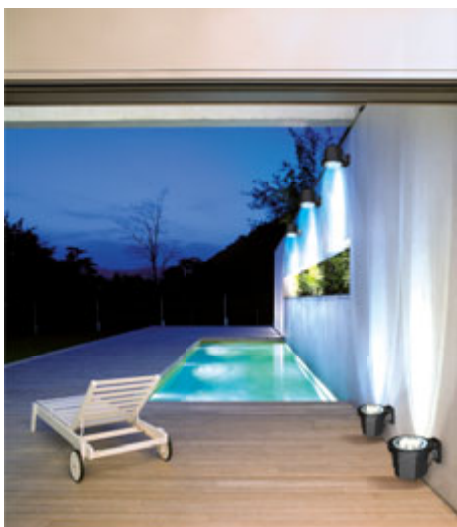
**Energy Label** A++

- Material: high corrosion resistance die-cast copper-free aluminum body
- Coating: polyester powder coating with phosphochromating pre-finish
- NR. 8 x 1.5W CREE "XP-G3" LED
- Electronic transformer 220/240V 50/60Hz included
- Stainless steel screws
- Silicone rubber gasket
- Tempered safety glass.
- M20 cable gland.
- Adjustable +/- 15 degrees.
- 1 mt. neoprene power cable included

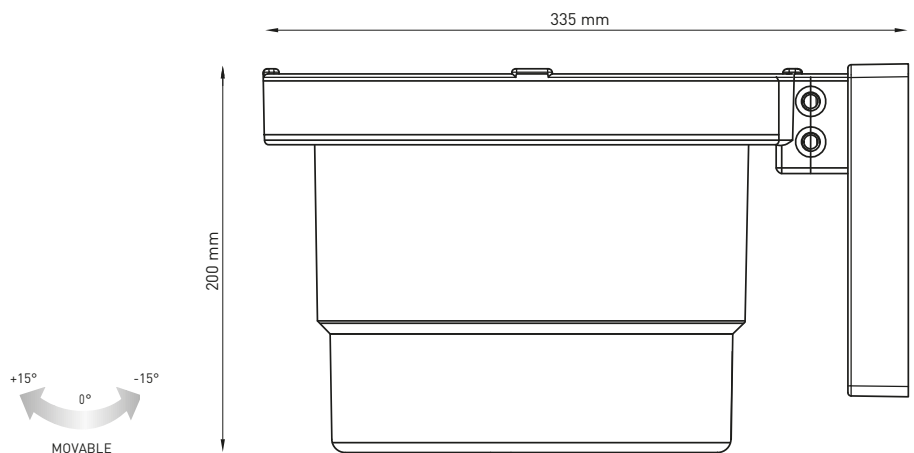


**1...10 V** **DALI**  
1-10 V DIMMABLE / DALI VERSION  
AVAILABLE ON REQUEST

**FullRGB**  
AVAILABLE ON REQUEST



12 WATT  
220-240V 50-60HZ ELECTRONIC  
IP65  
5.00 KG UNIT GROSS WEIGHT

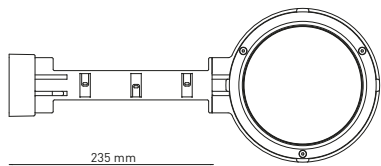




LIGHT SOURCE	LED COLOR*	LIGHT BEAM OPTIONS	LUMEN OUTPUT (lm)	LUMINOUS EFFICACY (lm/w)	COLORS OPTIONS
HIGH-POWER LED	3.000°K WARM-WHITE	<b>M</b> 10°	1.152	96.00	<span style="display: inline-block; width: 15px; height: 15px; background-color: #cccccc; border: 1px solid black;"></span> TEXTURED GREY <span style="display: inline-block; width: 15px; height: 15px; background-color: #333333; border: 1px solid black;"></span> MATT BLACK
		<b>M</b> 30°	1.095	91.25	
		<b>M</b> 45°	1.040	86.67	
	4.000°K NEUTRAL-WHITE	<b>M</b> 10°	1.200	100.00	
		<b>M</b> 30°	1.140	95.00	
		<b>M</b> 45°	1.083	90.25	

\* OTHER LIGHT COLORS AVAILABLE ON REQUEST: ● BLUE

**402019 HYDROBRACKET MAXI LED - EXTENSIBLE BRACKET**

- High corrosion resistance die-cast aluminum body and bracket
- Polyester painting with phosphochromating pre-finish





AVAILABLE COLOURS	
	TEXTURE
	BLACK

**402021 HYDROBRACKET MAXI LED - VISOR**

- High corrosion resistance die-cast aluminum body and bracket
- Polyester painting with phosphochromating pre-finish





AVAILABLE COLOURS	
	TEXTURE
	BLACK

**402023 HYDROBRACKET MAXI LED - EARTH SPIKE**

- High corrosion resistance die-cast aluminum body and bracket
- Polyester painting with phosphochromating pre-finish
- Earth Spike made in plastic material



AVAILABLE COLOURS	
	TEXTURE
	BLACK

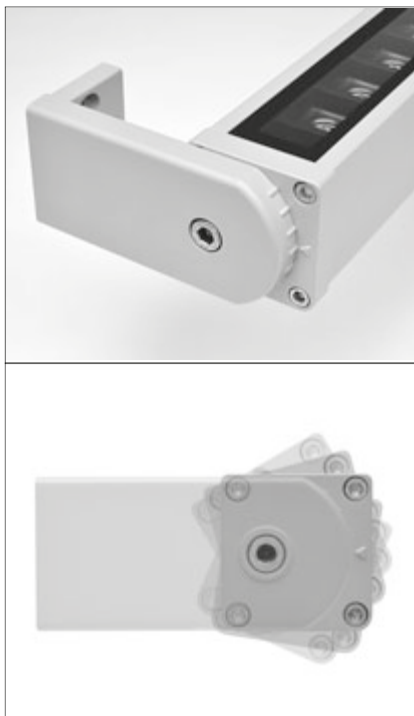
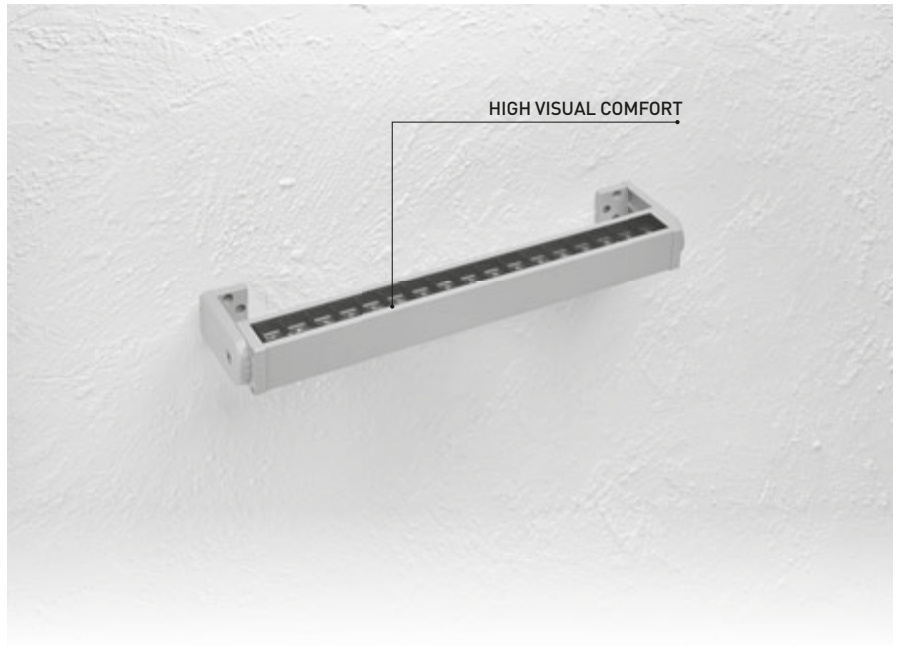
**403005 HYDROLINE-B SLIGHT 17 ARMS LED**



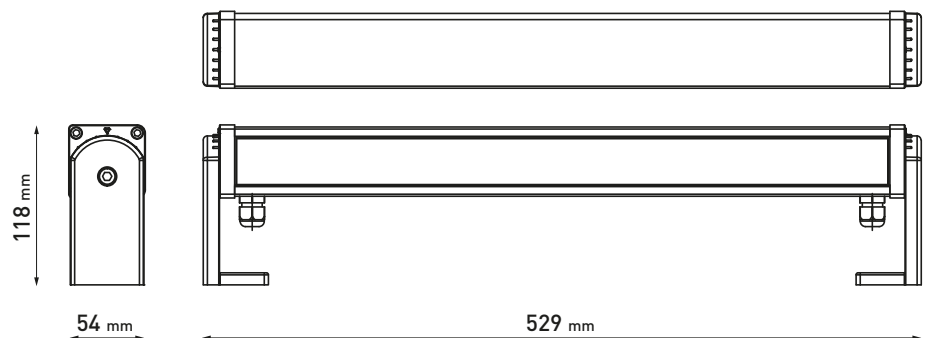
Linear luminaire for outdoor installation on a façade/wall, length 505mm, Phosphochromatised and polyester powder coated extruded copper-free aluminium body, tempered safety glass, moulded silicone gaskets. Fixing system through two arms allowing product orientation. Special optics with "invisa-light" technology. Built-in LED driver 220-240V 50-60Hz, with 17 CREE XP-G2 LED. IP67 rating.

**Energy Label** A++

- Material: high corrosion resistance extruded copper-free aluminum body and fixing arms.
- Coating: polyester powder coating with phosphochromating pre-finish
- NR. 17 x 1 W CREE "XP-G2" LED
- Special optics with "invisa-light" technology
- Electronic transformer 220/240V 50/60Hz included
- Stainless steel screws
- Silicone rubber gasket.
- Tempered safety glass.
- Max static weight resistance 5000 Kg
- Protection against impact IK09 (10 joule)
- Double M20 cable gland
- 1 mt. neoprene power cable included



DALI VERSION  
AVAILABLE ON REQUEST



21 WATT  
220-240V 50-60HZ ELECTRONIC  
IP67  
2,50 KG UNIT GROSS WEIGHT

LIGHT SOURCE	LED COLOR*	LIGHT BEAM OPTIONS	LUMEN OUTPUT (lm)	LUMINOUS EFFICACY (lm/w)	COLORS OPTIONS
HIGH-POWER LED	3.000°K WARM-WHITE	18°	1.896	90.3	<div style="display: flex; flex-direction: column; gap: 10px;"> <div style="display: flex; align-items: center;"> <div style="width: 15px; height: 15px; background-color: #cccccc; margin-right: 5px;"></div> <span>TEXTURED GREY</span> </div> <div style="display: flex; align-items: center;"> <div style="width: 15px; height: 15px; background-color: #333333; margin-right: 5px;"></div> <span>MATT BLACK (ON REQUEST)</span> </div> </div>
		36°	1.802	85.82	
	4.000°K NEUTRAL-WHITE	18°	1.976	94.11	
		36°	1.877	89.39	

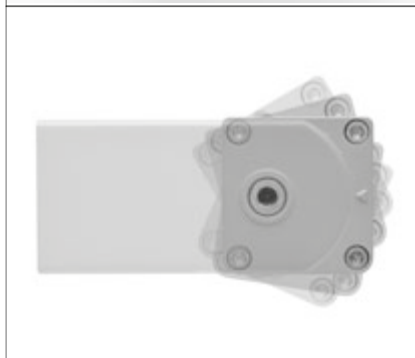
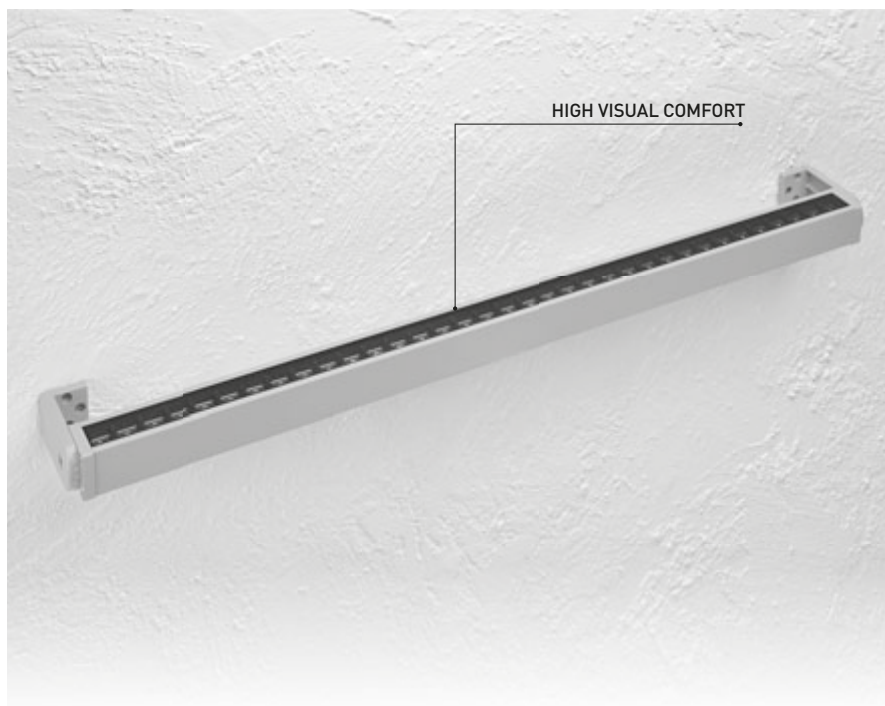
**403006 HYDROLINE-B SLIGHT 35 ARMS LED**



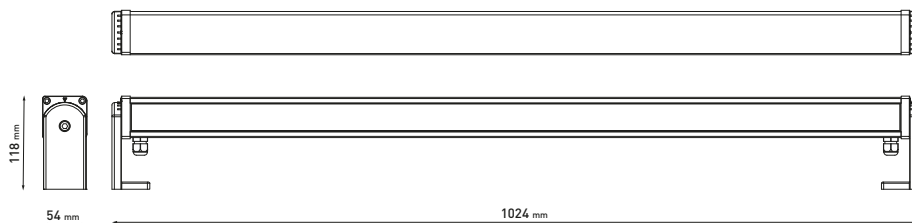
Linear luminaire for outdoor installation on a façade/wall, length 1.000mm, Phosphochromatised and polyester powder coated extruded copper-free aluminium body, tempered safety glass, moulded silicone gaskets. Fixing system through two arms allowing product orientation. Special optics with "invisa-light" technology. Built-in LED driver 220-240V 50-60Hz, with 35 CREE XP-G2 LED. IP67 rating.

**Energy Label** A++

- Material: high corrosion resistance extruded copper-free aluminum body and arms.
- Coating: polyester powder coating with phosphochromating pre-finish
- NR. 35 x 1 W CREE "XP-G2" LED
- Special optics with "invisa-light" technology
- Electronic transformer 220/240V 50/60Hz included
- Stainless steel screws.
- Silicone rubber gasket.
- Tempered safety glass.
- Max static weight resistance 5000 Kg
- Protection against impact IK09 (10 joule)
- Double M20 cable gland
- 1 mt. neoprene power cable included



DALI VERSION  
AVAILABLE ON REQUEST



39 WATT  
220-240V 50-60HZ ELECTRONIC  
IP67  
4,00 KG UNIT GROSS WEIGHT

LIGHT SOURCE	LED COLOR*	LIGHT BEAM OPTIONS	LUMEN OUTPUT (lm)	LUMINOUS EFFICACY (lm/w)	COLORS OPTIONS
HIGH-POWER LED	3.000°K WARM-WHITE	18°	3.502	89.79	TEXTURED GREY
		30°	3.326	85.29	
	4.000°K NEUTRAL-WHITE	18°	3.648	93.54	MATT BLACK (ON REQUEST)
		30°	3.465	88.86	

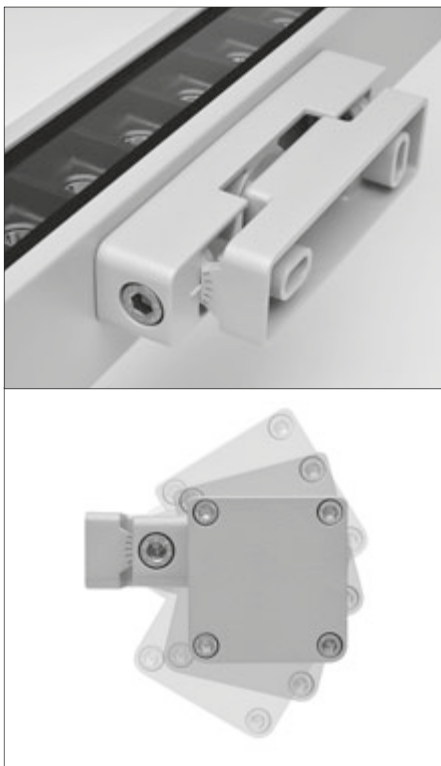
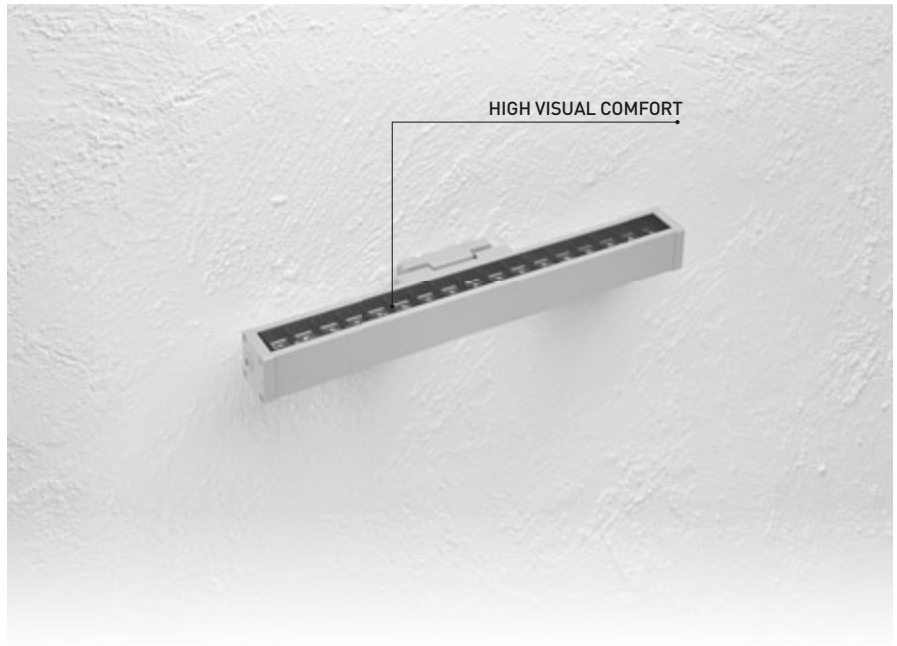
**403007 HYDROLINE-B SLIGHT 17 BASE LED**



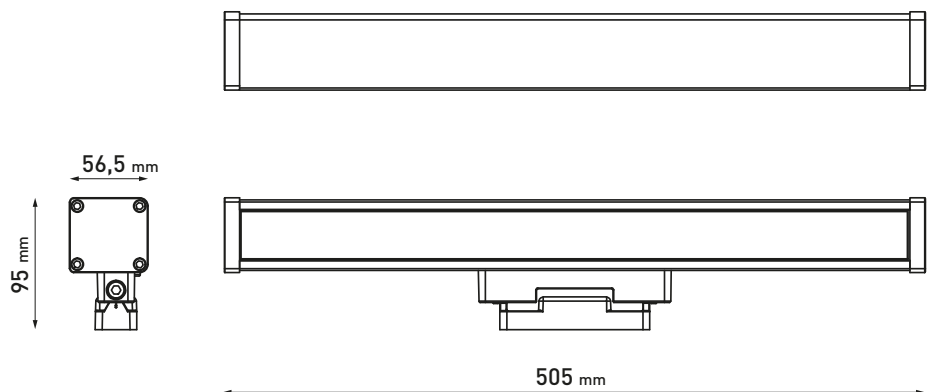
Linear luminaire for outdoor installation on a façade/wall, length 505mm, Phosphochromatised and polyester powder coated extruded copper-free aluminium body, tempered safety glass, moulded silicone gaskets. Fixing system through central base allowing product orientation. Special optics with "invisa-light" technology. Built-in LED driver 220-240V 50-60Hz, with 17 CREE XP-G2 LED. IP67 rating.

**Energy Label** A++

- Material: high corrosion resistance extruded copper-free aluminum body and fixing base.
- Coating: polyester powder coating with phosphochromating pre-finish
- NR. 17 x 1 W CREE "XP-G2" LED
- Special optics with "invisa-light" technology
- Electronic transformer 220/240V 50/60Hz included
- Stainless steel screws
- Silicone rubber gasket.
- Tempered safety glass.
- Max static weight resistance 5000 Kg
- Protection against impact IK09 (10 joule)
- Double M20 cable gland
- 1 mt. neoprene power cable included



**DALI**  
DALI VERSION  
AVAILABLE ON REQUEST



21 WATT  
220-240V 50-60HZ ELECTRONIC  
IP67  
2,50 KG UNIT GROSS WEIGHT

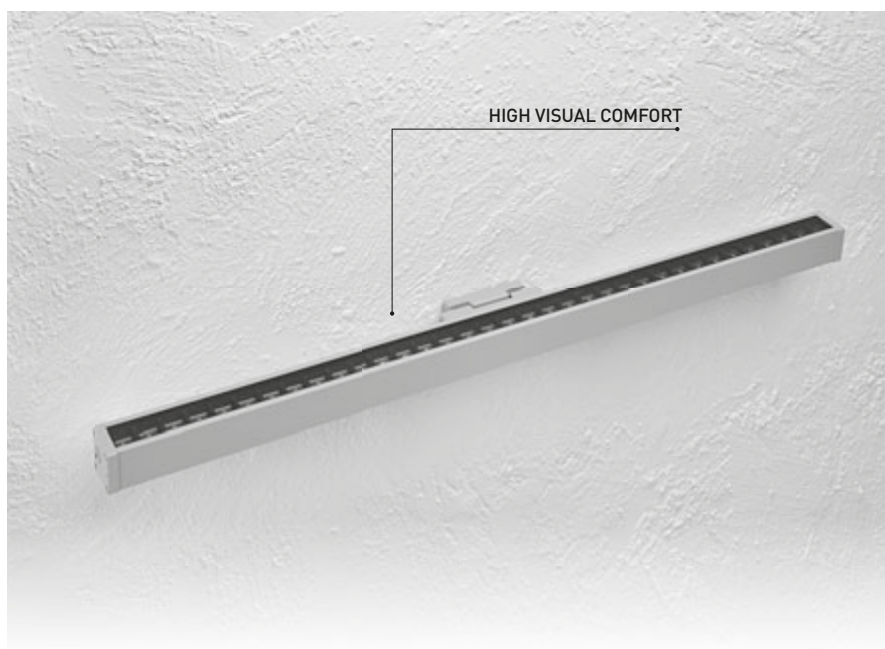
LIGHT SOURCE	LED COLOR*	LIGHT BEAM OPTIONS	LUMEN OUTPUT (lm)	LUMINOUS EFFICACY (lm/w)	COLORS OPTIONS
HIGH-POWER LED	3.000°K WARM-WHITE	18°	1.896	90.3	<div style="display: flex; flex-direction: column; align-items: flex-start;"> <div style="display: flex; align-items: center; margin-bottom: 5px;"> <span style="width: 15px; height: 15px; background-color: #cccccc; margin-right: 5px;"></span> TEXTURED GREY                 </div> <div style="display: flex; align-items: center;"> <span style="width: 15px; height: 15px; background-color: #333333; margin-right: 5px;"></span> MATT BLACK (ON REQUEST)                 </div> </div>
		36°	1.802	85.82	
	4.000°K NEUTRAL-WHITE	18°	1.976	94.11	
		36°	1.877	89.39	



**403008 HYDROLINE-B SLIGHT 35 BASE LED**

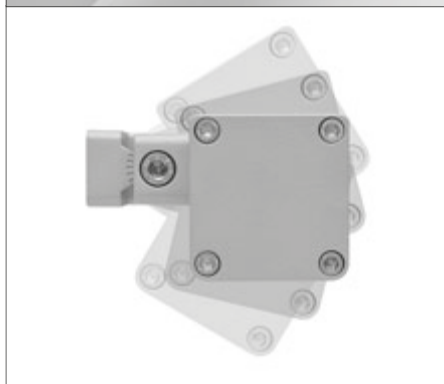


Linear luminaire for outdoor installation on a façade/wall, length 1.000mm, Phosphochromatised and polyester powder coated extruded copper-free aluminium body, tempered safety glass, moulded silicone gaskets. Fixing system through central base allowing product orientation. Special optics with "invisa-light" technology. Built-in LED driver 220-240V 50-60Hz, with 35 CREE XP-G2 LED. IP67 rating.

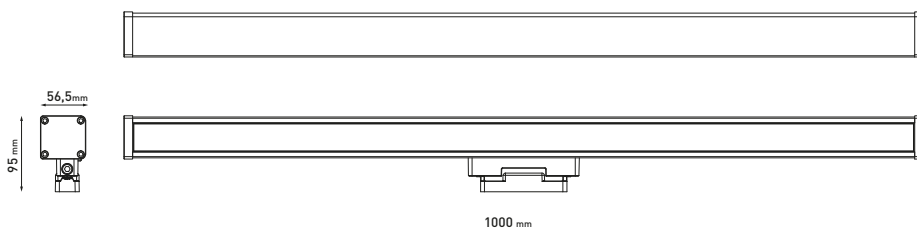


**Energy Label** **A++**

- Material: high corrosion resistance extruded copper-free aluminum body and base.
- Coating: polyester powder coating with phosphochromating pre-finish
- NR. 35 x 1 W CREE "XP-G2" LED
- Special optics with "invisa-light" technology
- Electronic transformer 220/240V 50/60Hz included
- Stainless steel screws.
- Silicone rubber gasket.
- Tempered safety glass.
- Max static weight resistance 5000 Kg
- Protection against impact IK09 (10 joule)
- Double M20 cable gland
- 1 mt. neoprene power cable included



DALI VERSION  
AVAILABLE ON REQUEST



39 WATT  
220-240V 50-60HZ ELECTRONIC  
IP67  
4,00 KG UNIT GROSS WEIGHT

LIGHT SOURCE	LED COLOR*	LIGHT BEAM OPTIONS	LUMEN OUTPUT (lm)	LUMINOUS EFFICACY (lm/w)	COLORS OPTIONS
HIGH-POWER LED	3.000°K WARM-WHITE	M 18°	3.502	89.79	<div style="display: flex; flex-direction: column; align-items: flex-start;"> <div style="margin-bottom: 10px;"><span style="display: inline-block; width: 15px; height: 15px; background-color: #cccccc; border: 1px solid #000; margin-right: 5px;"></span> TEXTURED GREY</div> <div><span style="display: inline-block; width: 15px; height: 15px; background-color: #333333; border: 1px solid #000; margin-right: 5px;"></span> MATT BLACK (ON REQUEST)</div> </div>
		M 30°	3.326	85.29	
	4.000°K NEUTRAL-WHITE	M 18°	3.648	93.54	
		M 30°	3.465	88.86	



**Barker & Pollock**  
*Best Fabrics*

**403003 HYDROLINE-B 13 PERFORMANCE LED**

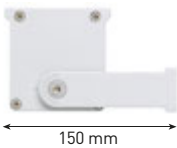
Linear luminaire for outdoor installation on a façade/wall, length 610mm. Phospho-chromatised and polyester powder coated extruded copper-free aluminium body, tempered safety glass, moulded silicone gasket and stainless steel screws. Built-in LED driver 220-240V 50-60Hz, with 13 CREE XP-G3 LED. IP67 rating.

**Energy Label** A++

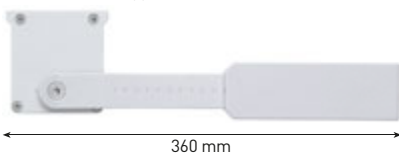
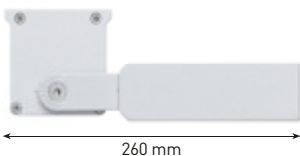
- Material: high corrosion resistance extruded copper-free aluminum body
- Coating: polyester powder coating with phosphochromating pre-finish
- NR. 13 x 1.5W CREE "XP-G3" LED
- Electronic transformer 220/240V 50/60Hz included
- Stainless steel screws
- Silicone rubber gasket
- Tempered safety glass.
- Protection against impact IK10 (20 joule)
- Double PG13.5 cable gland
- 1 mt. neoprene power cable included.



**STANDARD BRACKET (INCLUDED)**



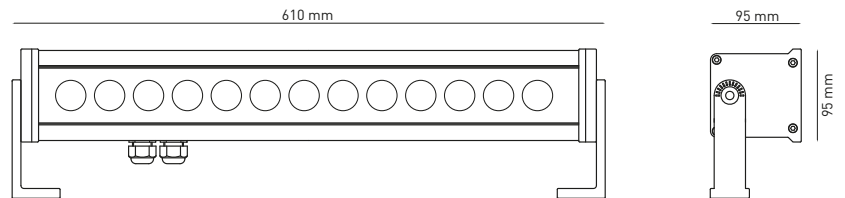
**AC003 EXTENSIBLE BRACKETS FOR HYDROLINE-B**  
DIE-CAST ALUMINUM (OPTION TO BE ORDERED SEPARATELY)



19.5 WATT  
220-240V 50-60HZ ELECTRONIC  
IP67  
4.30 KG UNIT GROSS WEIGHT

**1...10 V** **DALI**  
1-10 V DIMMABLE / DALI VERSION  
AVAILABLE ON REQUEST

**RGB**  
AVAILABLE ON REQUEST



LIGHT SOURCE	LED COLOR*	LIGHT BEAM OPTIONS	LUMEN OUTPUT (lm)	LUMINOUS EFFICACY (lm/w)	COLORS OPTIONS
HIGH-POWER LED	3.000°K WARM-WHITE	M 10°	1.872	96.00	<span style="display: inline-block; width: 15px; height: 15px; background-color: grey; border: 1px solid black;"></span> TEXTURED GREY  <span style="display: inline-block; width: 15px; height: 15px; background-color: black; border: 1px solid black;"></span> MATT BLACK (ON REQUEST)
		M 30°	1.779	91.25	
		M 45°	1.690	86.67	
	4.000°K NEUTRAL-WHITE	M 10°	1.950	100.00	
		M 30°	1.853	95.00	
		M 45°	1.760	90.25	

\* OTHER LIGHT COLORS AVAILABLE ON REQUEST: ● BLUE

**403004 HYDROLINE-B 21 PERFORMANCE LED**

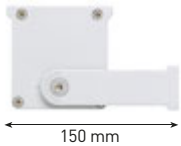
Linear luminaire for outdoor installation on a façade/wall, length 910mm. Phospho-chromatised and polyester powder coated extruded copper-free aluminium body, tempered safety glass, moulded silicone gasket and stainless steel screws. Built-in LED driver 220-240V 50-60Hz, with 21 CREE XP-G3 LED. IP67 rating.

**Energy Label** A++

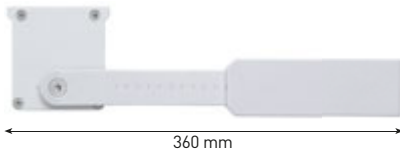
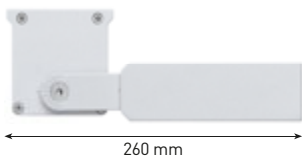
- Material: high corrosion resistance extruded copper-free aluminium body
- Coating: polyester powder coating with phosphochromating pre-finish
- NR. 21 x 1.5W CREE "XP-G3" LED
- Electronic transformer 220/240V 50/60Hz included
- Stainless steel screws
- Silicone rubber gasket
- Tempered safety glass.
- Protection against impact IK10 (20 joule)
- Double PG13,5 cable gland
- 1 mt. neoprene power cable included.



**STANDARD BRACKET (INCLUDED)**



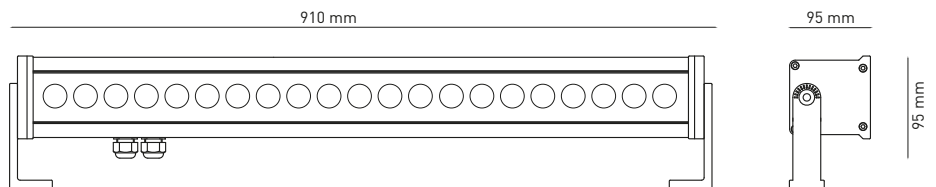
**AC003 EXTENSIBLE BRACKETS FOR HYDROLINE-B**  
DIE-CAST ALUMINIUM (OPTION TO BE ORDERED SEPARATELY)



31.5 WATT  
220-240V 50-60HZ ELECTRONIC  
IP67  
6.50 KG UNIT GROSS WEIGHT

**1...10 V** **DALI**  
1-10 V DIMMABLE / DALI VERSION  
AVAILABLE ON REQUEST

**RGB**  
AVAILABLE ON REQUEST



LIGHT SOURCE	LED COLOR*	LIGHT BEAM OPTIONS	LUMEN OUTPUT (lm)	LUMINOUS EFFICACY (lm/w)	COLORS OPTIONS
HIGH-POWER LED	3.000°K WARM-WHITE	<b>M</b> 10°	3.024	96.00	<span style="display: inline-block; width: 15px; height: 15px; background-color: #cccccc; border: 1px solid black;"></span> TEXTURED GREY  <span style="display: inline-block; width: 15px; height: 15px; background-color: #333333; border: 1px solid black;"></span> MATT BLACK (ON REQUEST)
		<b>M</b> 30°	2.873	91.25	
		<b>M</b> 45°	2.729	86.67	
	4.000°K NEUTRAL-WHITE	<b>M</b> 10°	3.150	100.00	
		<b>M</b> 30°	2.993	95.00	
		<b>M</b> 45°	2.843	90.25	

\* OTHER LIGHT COLORS AVAILABLE ON REQUEST: ● BLUE



**402401 HYDROHORIZON MINI 01 LED**

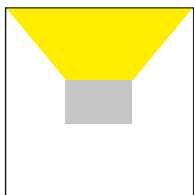
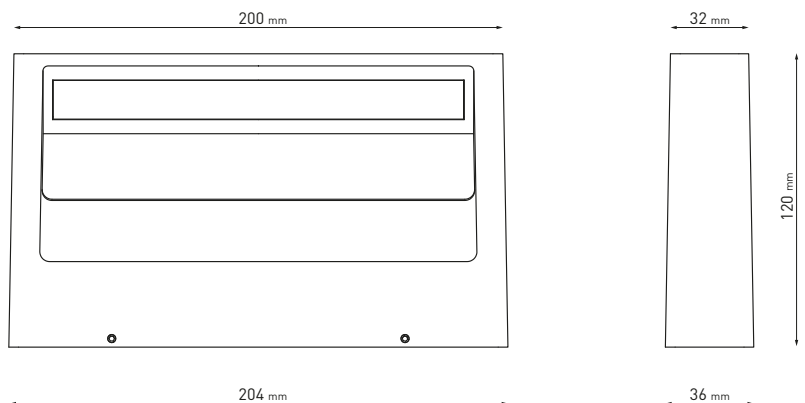


Designed by **paolovilladesign**

Applique of rectangular shape for outdoor installation on a façade/wall, with single (1 side) light emission. Phospho-chromatised and polyester powder coated die-cast copper-free aluminium body, tempered frosted safety glass, moulded silicone gasket and stainless steel screws. Built-in LED driver 220-240V 50-60Hz, with 10 mid-power CREE XH-G LED. IP65 rating.

**Energy Label** **A++**

- Material: high corrosion resistance extruded copper-free aluminum body and fixing arms.
- Coating: polyester powder coating with phosphochromating pre-finish
- NR. 10 x CREE "XH-G" LED
- Electronic transformer 220/240V 50/60Hz included
- Stainless steel screws.
- Silicone rubber gasket.



	LIGHT SOURCE	LED COLOR*	LIGHT BEAM OPTIONS	LUMEN OUTPUT (lm)	LUMINOUS EFFICACY (lm/w)	COLORS OPTIONS
7 WATT 220-240V 50-60HZ ELECTRONIC IP65 1,50 KG UNIT GROSS WEIGHT	HIGH-POWER LED	3.000°K WARM-WHITE	MONO DIRECTIONAL DIFFUSED	330	47,14	TEXTURED GREY MATT BLACK (ON REQUEST)

\* OTHER LIGHT COLORS AVAILABLE ON REQUEST: ○ 4.000°K NEUTRAL-WHITE

**402402 HYDROHORIZON MINI 02 LED**

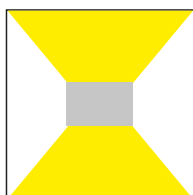
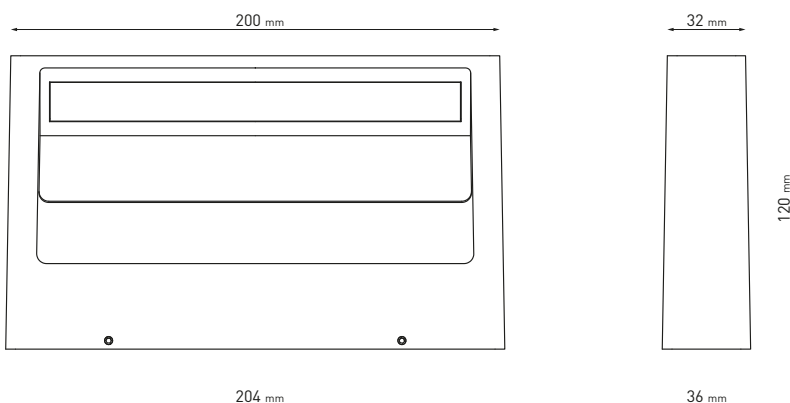
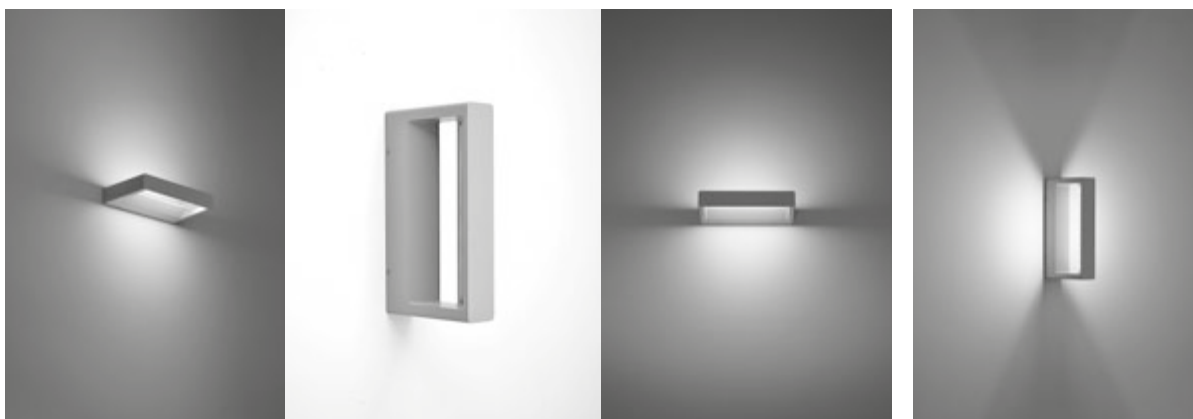


Designed by **paolovilla**design

Applique of rectangular shape for outdoor installation on a façade/wall, with double light emission (up/down). Phospho-chromatised and polyester powder coated die-cast copper-free aluminium body, tempered frosted safety glass, moulded silicone gasket and stainless steel screws. Built-in LED driver 220-240V 50-60Hz, with 20 mid-power CREE XH-G LED. IP65 rating.

**Energy Label** A++

- Material: high corrosion resistance extruded copper-free aluminum body and fixing arms.
- Coating: polyester powder coating with phosphochromating pre-finish
- NR. 20 x CREE "XH-G" LED
- Electronic transformer 220/240V 50/60Hz included
- Stainless steel screws.
- Silicone rubber gasket.



	LIGHT SOURCE	LED COLOR*	LIGHT BEAM OPTIONS	LUMEN OUTPUT (lm)	LUMINOUS EFFICACY (lm/w)	COLORS OPTIONS
14 WATT 220-240V 50-60HZ ELECTRONIC IP65 1,50 KG UNIT GROSS WEIGHT	HIGH-POWER LED	3.000°K WARM-WHITE	BI-DIRECTIONAL DIFFUSED	650	46,43	<div style="display: flex; gap: 10px;"> <div style="width: 15px; height: 15px; background-color: #cccccc; border: 1px solid black;"></div> TEXTURED GREY                     <div style="width: 15px; height: 15px; background-color: #000000; border: 1px solid black;"></div> MATT BLACK (ON REQUEST)                 </div>

\* OTHER LIGHT COLORS AVAILABLE ON REQUEST: ○ 4.000°K NEUTRAL-WHITE





**402403 HYDROHORIZON MINI 02 LED**

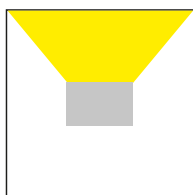
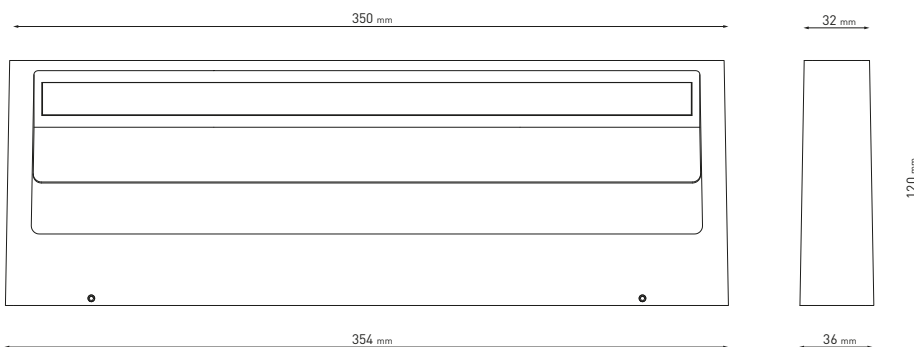
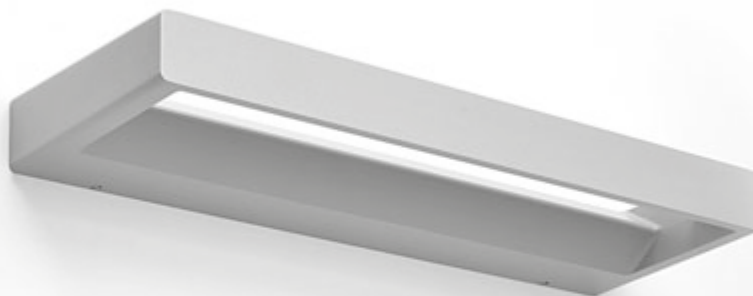


Designed by **paolovilladesign**

Applique of rectangular shape for outdoor installation on a façade/wall, with single (1 side) light emission. Phospho-chromatised and polyester powder coated die-cast copper-free aluminium body, tempered frosted safety glass, moulded silicone gasket and stainless steel screws. Built-in LED driver 220-240V 50-60Hz, with 21 mid-power CREE XH-G LED. IP65 rating.

**Energy Label** **A++**

- Material: high corrosion resistance extruded copper-free aluminium body and fixing arms.
- Coating: polyester powder coating with phosphochromating pre-finish
- NR. 21 x CREE "XH-G" LED
- Electronic transformer 220/240V 50/60Hz included
- Stainless steel screws.
- Silicone rubber gasket.



	LIGHT SOURCE	LED COLOR*	LIGHT BEAM OPTIONS	LUMEN OUTPUT (lm)	LUMINOUS EFFICACY (lm/w)	COLORS OPTIONS
12 WATT 220-240V 50-60HZ ELECTRONIC IP65 3,00 KG UNIT GROSS WEIGHT	HIGH-POWER LED	3.000°K WARM-WHITE	MONO DIRECTIONAL DIFFUSED	574	47,83	<div style="display: flex; gap: 10px;"> <div style="width: 15px; height: 15px; background-color: #cccccc; border: 1px solid black;"></div> TEXTURED GREY                     <div style="width: 15px; height: 15px; background-color: #333333; border: 1px solid black;"></div> MATT BLACK (ON REQUEST)                 </div>

\* OTHER LIGHT COLORS AVAILABLE ON REQUEST: ○ 4.000°K NEUTRAL-WHITE

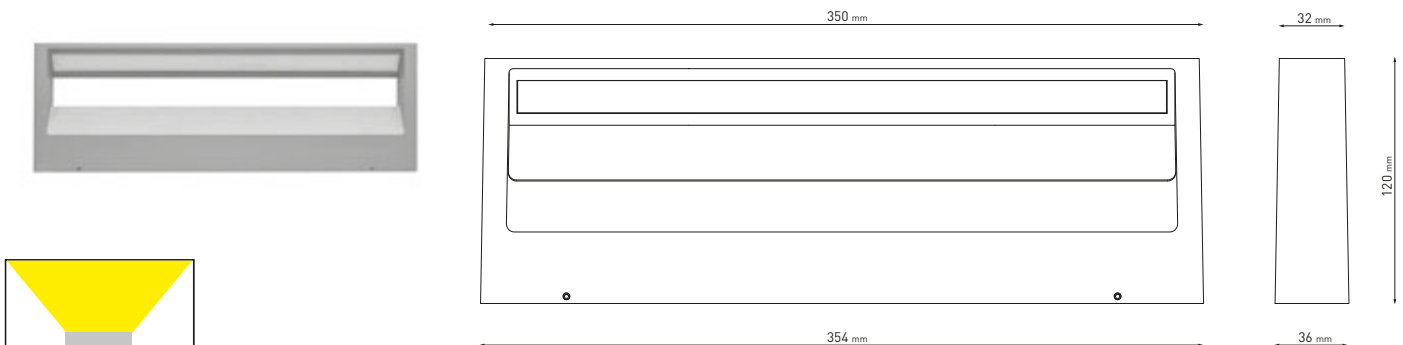
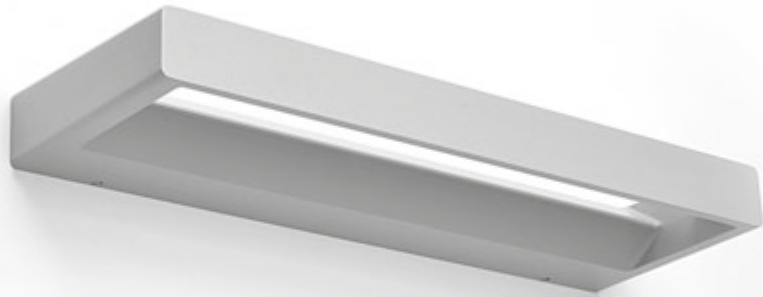
402404 HYDROHORIZON MEDIUM 02 LED **NEW**

Designed by **paolovilladesign**

Applique of rectangular shape for outdoor installation on a façade/wall, with double light emission (up/down). Phospho-chromatised and polyester powder coated die-cast copper-free aluminium body, tempered frosted safety glass, moulded silicone gasket and stainless steel screws. Built-in LED driver 220-240V 50-60Hz, with 42 mid-power CREE XH-G LED. IP65 rating.

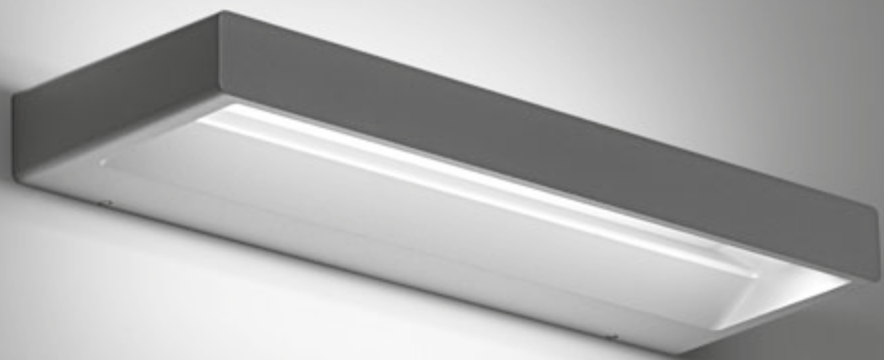
**Energy Label** **A++**

- Material: high corrosion resistance extruded copper-free aluminum body and fixing arms.
- Coating: polyester powder coating with phosphochromating pre-finish
- NR. 21 x CREE "XH-G" LED
- Electronic transformer 220/240V 50/60Hz included
- Stainless steel screws.
- Silicone rubber gasket.



	LIGHT SOURCE	LED COLOR*	LIGHT BEAM OPTIONS	LUMEN OUTPUT (lm)	LUMINOUS EFFICACY (lm/w)	COLORS OPTIONS
23 WATT 220-240V 50-60HZ ELECTRONIC IP65 3,00 KG UNIT GROSS WEIGHT	HIGH-POWER LED	3.000°K WARM-WHITE	BI-DIRECTIONAL DIFFUSED	1.204	52,35	TEXTURED GREY MATT BLACK (ON REQUEST)

\* OTHER LIGHT COLORS AVAILABLE ON REQUEST: ○ 4.000°K NEUTRAL-WHITE



**402201 HYDROCUBE 01 LED**

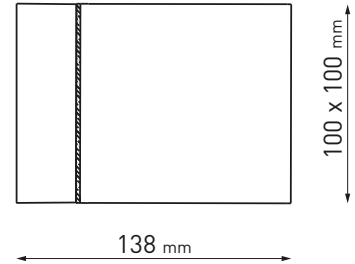


Square up or down luminaire for outdoor installation on a façade/wall. Phospho-chromatised and polyester powder coated die-cast copper-free aluminium body, tempered frosted safety glass, moulded silicone gasket and stainless steel screws. Built-in LED driver 220-240V 50-60Hz, with 3 x CREE XT-E LED. IP65 rating.



**Energy Label** **A++**

- Material: high corrosion resistance extruded copper-free aluminum body and fixing arms.
- Coating: polyester powder coating with phosphochromating pre-finish
- NR. 3 x CREE "XT-E" LED
- Electronic transformer 220/240V 50/60Hz included
- Stainless steel screws
- Silicone rubber gasket.



	LIGHT SOURCE	LED COLOR*	LIGHT BEAM OPTIONS	LUMEN OUTPUT (lm)	LUMINOUS EFFICACY (lm/w)	COLORS OPTIONS
7.5 WATT 220-240V 50-60HZ ELECTRONIC IP65 1,50 KG UNIT GROSS WEIGHT	HIGH-POWER LED	3.000°K WARM-WHITE	MONO DIRECTIONAL DIFFUSED	340	45.33	TEXTURED GREY

**402202 HYDROCUBE 02 LED**

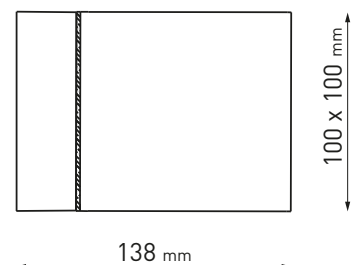


Square up and down luminaire for outdoor installation on a façade/wall. Phospho-chromatised and polyester powder coated die-cast copper-free aluminium body, tempered frosted safety glass, moulded silicone gasket and stainless steel screws. Built-in LED driver 220-240V 50-60Hz, with 6 x CREE XT-E LED. IP65 rating.



**Energy Label** **A++**

- Material: high corrosion resistance extruded copper-free aluminum body and fixing arms.
- Coating: polyester powder coating with phosphochromating pre-finish
- NR. 6 x CREE "XT-E" LED
- Electronic transformer 220/240V 50/60Hz included
- Stainless steel screws
- Silicone rubber gasket.



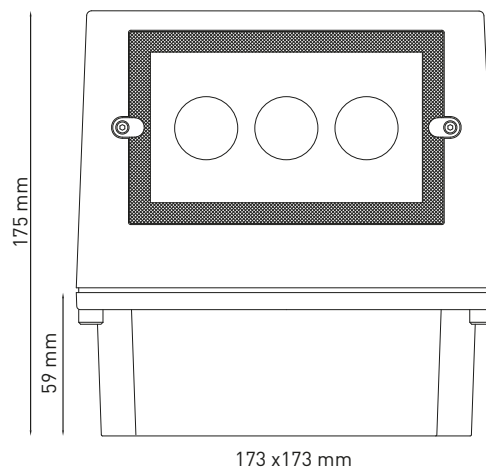
	LIGHT SOURCE	LED COLOR*	LIGHT BEAM OPTIONS	LUMEN OUTPUT (lm)	LUMINOUS EFFICACY (lm/w)	COLORS OPTIONS
2X7.5 WATT 220-240V 50-60HZ ELECTRONIC IP65 1,50 KG UNIT GROSS WEIGHT	HIGH-POWER LED	3.000°K WARM-WHITE	BI-DIRECTIONAL DIFFUSED	2 X 340	45.33	TEXTURED GREY



**404005 HYDROSPLIT SQUARE 01 LED**

Square up or down luminaire for outdoor installation on a façade/wall. Phospho-chromatised and polyester powder coated die-cast copper-free aluminium body, tempered safety glass, moulded silicone gasket and stainless steel screws. Built-in LED driver 220-240V 50-60Hz, with 1 x 3 CREE XP-G3 LED. IP65 rating.

- Material: high corrosion resistance die-cast copper-free aluminum body
- Coating: polyester powder coating with phosphochromating pre-finish
- NR. 3 x 1.5W CREE "XP-G3" LED
- Electronic transformer 220/240V 50/60Hz included
- Stainless steel screws.
- Silicone rubber gasket.
- Tempered safety glass.
- Cable gland PG11



4.5 WATT  
220-240V 50-60HZ ELECTRONIC  
IP65  
3.80 KG UNIT GROSS WEIGHT

LIGHT SOURCE	LED COLOR*	LIGHT BEAM OPTIONS	LUMEN OUTPUT (lm)	LUMINOUS EFFICACY (lm/w)	COLORS OPTIONS
HIGH-POWER LED	3.000°K WARM-WHITE	M 10°	432	96.00	<input type="checkbox"/> TEXTURED GREY <input type="checkbox"/> MATT WHITE (ON REQUEST) <input type="checkbox"/> MATT BLACK (ON REQUEST)
		M 30°	410	91.12	
		M 45°	390	18.06	
	4.000°K NEUTRAL-WHITE	M 10°	450	100.00	
		M 30°	428	95.12	
		M 45°	406	90.23	

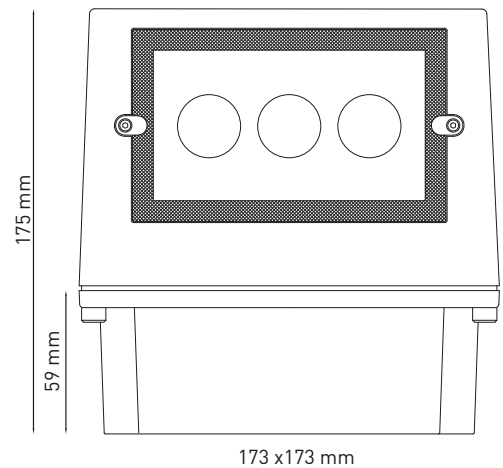
\* OTHER LIGHT COLORS AVAILABLE ON REQUEST: ● BLUE

**404006 HYDROSPLIT SQUARE 02 LED**

Square up and down luminaire for outdoor installation on a façade/wall. Phospho-chromatised and polyester powder coated die-cast copper-free aluminium body, tempered safety glass, moulded silicone gasket and stainless steel screws. Built-in LED driver 220-240V 50-60Hz, with 2 x 3 CREE XP-G3 LED. IP65 rating.

**Energy Label** **A++**

- Material: high corrosion resistance die-cast copper-free aluminum body
- Coating: polyester powder coating with phosphochromating pre-finish
- NR. 3 x 1.5W CREE "XP-G3" LED up and NR. 3 x 1.5W CREE "XP-G3" LED down.
- Electronic transformer 220/240V 50/60Hz included
- Stainless steel screws.
- Silicone rubber gasket.
- Tempered safety glass.
- Cable gland PG11



9 WATT  
220-240V 50-60HZ ELECTRONIC  
IP65  
3.90 KG UNIT GROSS WEIGHT

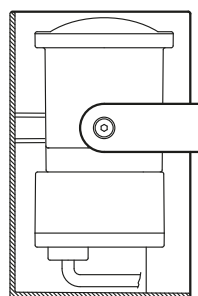
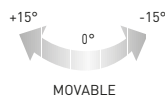
LIGHT SOURCE	LED COLOR*	LIGHT BEAM OPTIONS	LUMEN OUTPUT (lm)	LUMINOUS EFFICACY (lm/w)	COLORS OPTIONS
HIGH-POWER LED	3.000°K WARM-WHITE	<b>M</b> 10°	2 X 432	96.00	<input checked="" type="checkbox"/> TEXTURED GREY <input type="checkbox"/> MATT WHITE (ON REQUEST) <input checked="" type="checkbox"/> MATT BLACK (ON REQUEST)
		<b>M</b> 30°	2 X 410	91.12	
		<b>M</b> 45°	2 X 390	18.06	
	4.000°K NEUTRAL-WHITE	<b>M</b> 10°	2 X 450	100.00	
		<b>M</b> 30°	2 X 428	95.12	
		<b>M</b> 45°	2 X 406	90.23	

**405002 HYDROLED 01**

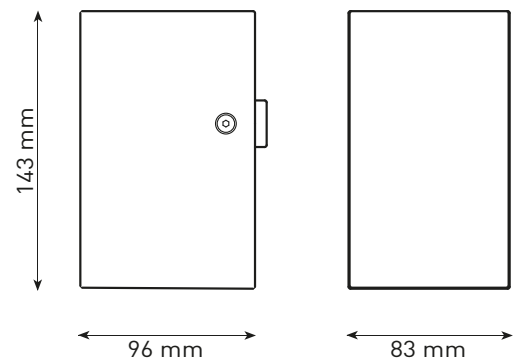
Square up or down luminaire for outdoor installation on a façade/wall. Phospho-chromatised and polyester powder coated die-cast copper-free aluminium body, tempered safety glass, moulded silicone gasket and stainless steel screws. Built-in LED driver 220-240V 50-60Hz, with 1 CREE XP-G3 LED. IP65 rating.

**Energy Label** A++

- Material: high corrosion resistance die-cast copper-free aluminum body
- Coating: polyester powder coating with phosphochromating pre-finish
- NR. 1 x 1W CREE "XP-G3" LED
- Electronic transformer 220/240V 50/60Hz included
- Stainless steel screws.
- Silicone rubber gasket.
- Tempered safety glass.
- M12 rubber grommet Rutaseal® in EPDM



COULD BE USED WITHOUT COVER TOO



1 WATT  
220-240V 50-60HZ ELECTRONIC  
IP65  
1.00 KG UNIT GROSS WEIGHT

LIGHT SOURCE	LED COLOR*	LIGHT BEAM OPTIONS	LUMEN OUTPUT (lm)	LUMINOUS EFFICACY (lm/w)	COLORS OPTIONS
HIGH-POWER LED	3.000°K WARM-WHITE	10°	115	115.00	■ TEXTURED GREY
		30°	110	110.00	
		45°	104	104.00	□ MATT WHITE (ON REQUEST)
	4.000°K NEUTRAL-WHITE	10°	120	120.00	■ MATT BLACK (ON REQUEST)
		30°	114	114.00	
		45°	109	109.00	

\* OTHER LIGHT COLORS AVAILABLE ON REQUEST: ● BLUE

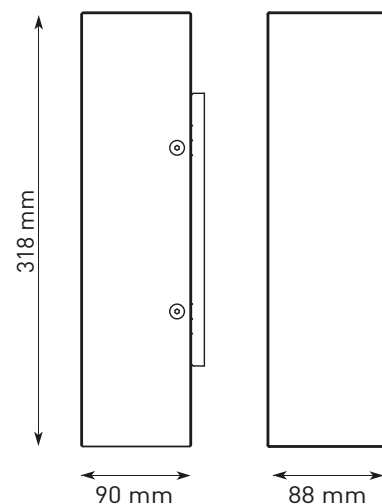
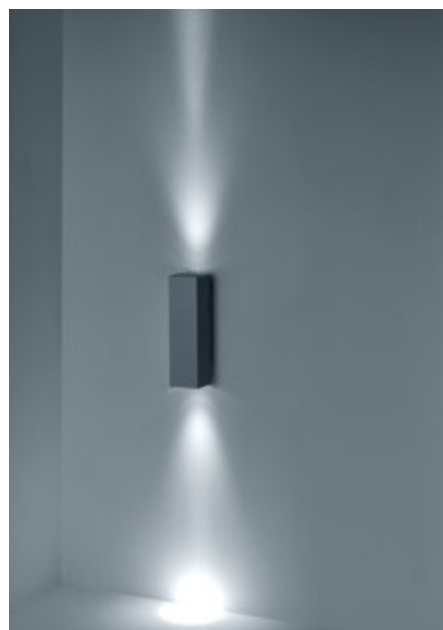


**405003 HYDROLED 02**

Square up and down luminaire for outdoor installation on a façade/wall. Phospho-chromatised and polyester powder coated die-cast copper-free aluminium body, tempered safety glass, moulded silicone gasket and stainless steel screws. Built-in LED driver 220-240V 50-60Hz, with 2 x 1 CREE XP-G3 LED. IP65 rating.

**Energy Label** **A++**

- Material: high corrosion resistance die-cast copper-free aluminum body
- Coating: polyester powder coating with phosphochromating pre-finish
- NR. 2 x 1W CREE "XP-G3" LED
- Electronic transformer 220/240V 50/60Hz included
- Stainless steel screws.
- Silicone rubber gasket.
- Tempered safety glass.
- M12 rubber grommet Rutaseal® in EPDM



2 WATT  
220-240V 50-60HZ ELECTRONIC  
IP65  
2.30 KG UNIT GROSS WEIGHT

LIGHT SOURCE	LED COLOR*	LIGHT BEAM OPTIONS	LUMEN OUTPUT (lm)	LUMINOUS EFFICACY (lm/w)	COLORS OPTIONS
HIGH-POWER LED	3.000°K WARM-WHITE	M 10°	2 X 115	115.00	<input checked="" type="checkbox"/> TEXTURED GREY <input type="checkbox"/> MATT WHITE (ON REQUEST) <input checked="" type="checkbox"/> MATT BLACK (ON REQUEST)
		M 30°	2 X 110	110.00	
		M 45°	2 X 104	104.00	
	4.000°K NEUTRAL-WHITE	M 10°	2 X 120	120.00	
		M 30°	2 X 114	114.00	
		M 45°	2 X 109	109.00	

\* OTHER LIGHT COLORS AVAILABLE ON REQUEST: ● BLUE

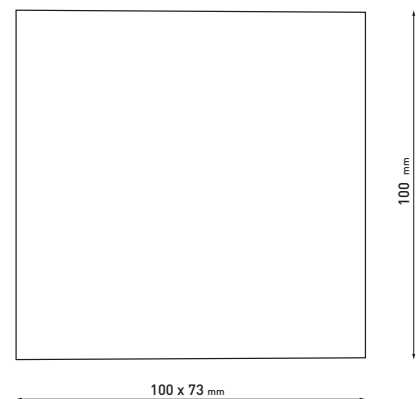
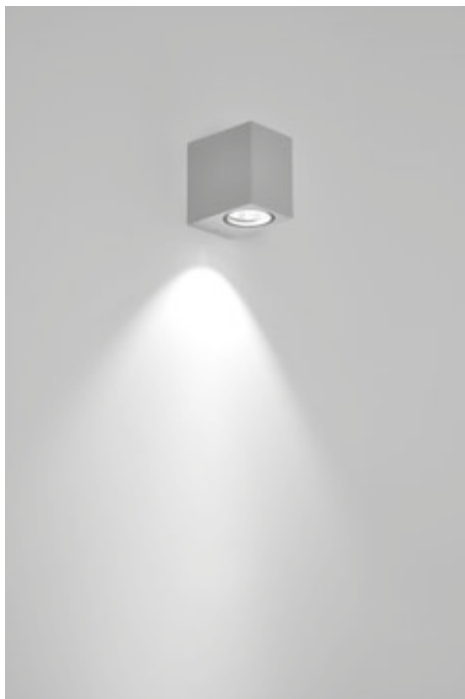
**405004 HYDROLED 01 COB LED**



Square up or down luminaire for outdoor installation on a façade/wall. Phospho-chromatised and polyester powder coated die-cast copper-free aluminium body, tempered safety glass, moulded silicone gasket and stainless steel screws. Built-in LED driver 220-240V 50-60Hz, with 1 COB CREE CXA1507 LED. IP65 rating.

**Energy Label** A++

- Material: high corrosion resistance extruded copper-free aluminum body and fixing arms.
- Coating: polyester powder coating with phosphochromating pre-finish
- NR. 1 x CREE "CXA1507" COB LED
- Electronic transformer 220/240V 50/60Hz included
- Stainless steel screws
- Silicone rubber gasket.



	LIGHT SOURCE	LED COLOR*	LIGHT BEAM OPTIONS	LUMEN OUTPUT (lm)	LUMINOUS EFFICACY (lm/w)	COLORS OPTIONS
9 WATT 220-240V 50-60HZ ELECTRONIC IP65 1,00 KG UNIT GROSS WEIGHT	HIGH-POWER LED	3.000°K WARM-WHITE	MONO DIRECTIONAL DIFFUSED 30°	642	71.33	TEXTURED GREY



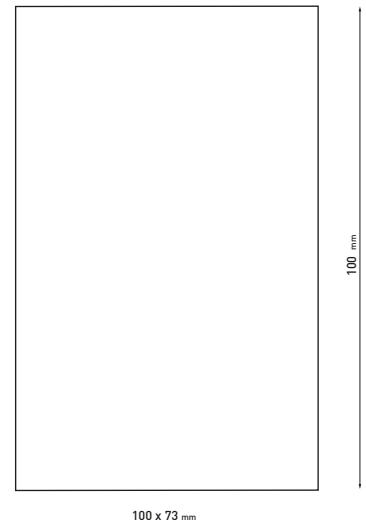
**405005 HYDROLED 02 COB LED**



Square up and down luminaire for outdoor installation on a façade/wall. Phospho-chromatised and polyester powder coated die-cast copper-free aluminium body, tempered safety glass, moulded silicone gasket and stainless steel screws. Built-in LED driver 220-240V 50-60Hz, with 2 x 1 COB CREE CXA1507 LED. IP65 rating.

**Energy Label** **A++**

- Material: high corrosion resistance extruded copper-free aluminum body and fixing arms.
- Coating: polyester powder coating with phosphochromating pre-finish
- NR. 2 x CREE "CXA1507" COB LED
- Electronic transformer 220/240V 50/60Hz included
- Stainless steel screws
- Silicone rubber gasket.



	LIGHT SOURCE	LED COLOR*	LIGHT BEAM OPTIONS	LUMEN OUTPUT (lm)	LUMINOUS EFFICACY (lm/w)	COLORS OPTIONS
2X9 WATT 220-240V 50-60HZ ELECTRONIC IP65 1,50 KG UNIT GROSS WEIGHT	HIGH-POWER LED	3.000°K WARM-WHITE	BI-DIRECTIONAL 30°	2 X 642	71.33	TEXTURED GREY



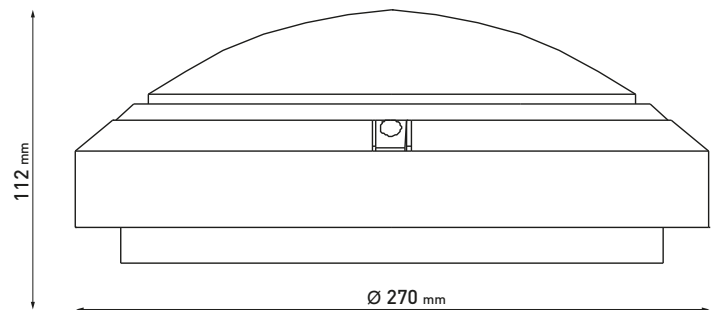
**402301 HYDROPLAFO 01 LED**



Round surface mounted luminaire for outdoor installation on a façade/wall. Phospho-chromatised and polyester powder coated die-cast copper-free aluminium body, opal PMMA diffuser, moulded silicone gasket and stainless steel screws. Built-in LED driver 220-240V 50-60Hz, with 11 x CREE XT-E LED. IP65 rating.

**Energy Label** **A++**

- Material: high corrosion resistance extruded copper-free aluminum body and fixing arms.
- Coating: polyester powder coating with phosphochromating pre-finish
- Opal PMMA diffuser.
- NR. 11 x CREE "XT-E" LED
- Electronic transformer 220/240V 50/60Hz included
- Stainless steel screws
- Silicone rubber gasket.



	LIGHT SOURCE	LED COLOR*	LIGHT BEAM OPTIONS	LUMEN OUTPUT (lm)	LUMINOUS EFFICACY (lm/w)	COLORS OPTIONS
13 WATT 220-240V 50-60HZ ELECTRONIC IP65 3,00 KG UNIT GROSS WEIGHT	HIGH-POWER LED	3.000°K WARM-WHITE	DIFFUSED	828	63.69	TEXTURED GREY



**402302 HYDROPLAFO 02 LED**

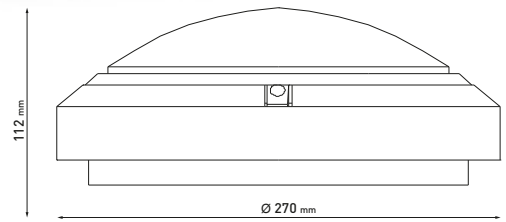


Round surface mounted luminaire for outdoor installation on a façade/wall. Phosphochromatised and polyester powder coated die-cast copper-free aluminium body, opal PMMA diffuser, moulded silicone gasket and stainless steel screws. Anti-shock half grid-cover. Built-in LED driver 220-240V 50-60Hz, with 11 x CREE XT-E LED. IP65 rating.



**Energy Label** **A++**

- Material: high corrosion resistance extruded copper-free aluminum body and fixing arms.
- Coating: polyester powder coating with phosphochromating pre-finish
- Anti-shock half grid-cover
- Opal PMMA diffuser.
- NR. 11 x CREE "XT-E" LED
- Electronic transformer 220/240V 50/60Hz included
- Stainless steel screws
- Silicone rubber gasket.



	LIGHT SOURCE	LED COLOR*	LIGHT BEAM OPTIONS	LUMEN OUTPUT (lm)	LUMINOUS EFFICACY (lm/w)	COLORS OPTIONS
13 WATT 220-240V 50-60HZ ELECTRONIC IP65 3,00 KG UNIT GROSS WEIGHT	HIGH-POWER LED	3.000°K WARM-WHITE	DIFFUSED ASYMMETRIC	828	63.69	TEXTURED GREY

**402303 HYDROPLAFO 03 LED**

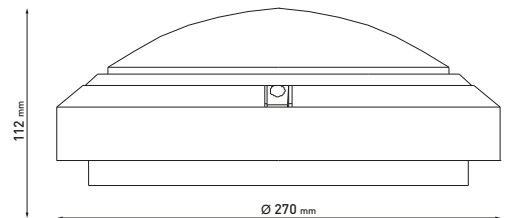


Round surface mounted luminaire for outdoor installation on a façade/wall. Phosphochromatised and polyester powder coated die-cast copper-free aluminium body, opal PMMA diffuser, moulded silicone gasket and stainless steel screws. Anti-shock full grid-cover. Built-in LED driver 220-240V 50-60Hz, with 11 x CREE XT-E LED. IP65 rating.



**Energy Label** **A++**

- Material: high corrosion resistance extruded copper-free aluminum body and fixing arms.
- Coating: polyester powder coating with phosphochromating pre-finish
- Anti-shock full grid-cover
- Opal PMMA diffuser.
- NR. 11 x CREE "XT-E" LED
- Electronic transformer 220/240V 50/60Hz included
- Stainless steel screws
- Silicone rubber gasket.

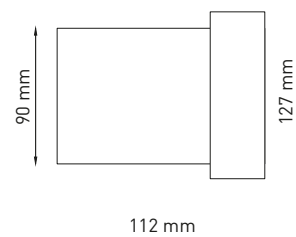
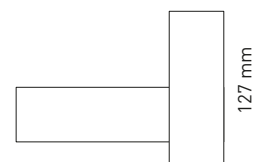
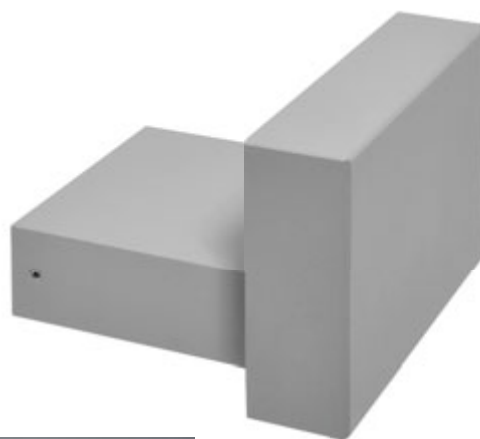


	LIGHT SOURCE	LED COLOR*	LIGHT BEAM OPTIONS	LUMEN OUTPUT (lm)	LUMINOUS EFFICACY (lm/w)	COLORS OPTIONS
13 WATT 220-240V 50-60HZ ELECTRONIC IP65 3,00 KG UNIT GROSS WEIGHT	HIGH-POWER LED	3.000°K WARM-WHITE	DIFFUSED	828	63.69	TEXTURED GREY



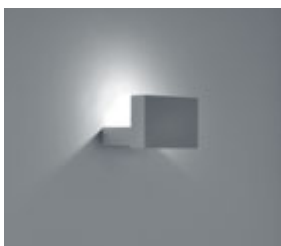
**401401 HYDROMASK 01 LED**




Wall-mounting luminaire for outdoor installation, with 1 side 120° light distribution. Phospho-chromatised and polyester powder coated die-cast copper-free aluminium body, tempered safety glass, moulded silicone gasket and stainless steel screws. Built-in LED driver 220-240V 50-60Hz, with 1 x 5W COB LED. IP65 rating.



**Energy Label** A++

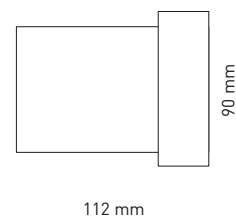
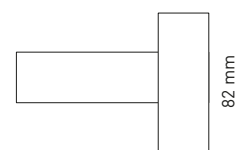
- Material: high corrosion resistance die-cast copper-free aluminum body
- Coating: polyester powder coating with phosphochromating pre-finish
- NR. 1 x 5W COB LED
- Electronic transformer 220/240V 50/60Hz included
- Stainless steel screws
- Silicone rubber gasket
- Tempered glass diffuser
- 1 mt. power cable included.



	LIGHT SOURCE	LED COLOR*	LIGHT BEAM OPTIONS	LUMEN OUTPUT (lm)	LUMINOUS EFFICACY (lm/w)	COLORS OPTIONS
5 WATT 220-240V 50-60HZ ELECTRONIC IP65 1,00 KG UNIT GROSS WEIGHT	COB LED	 3.000°K WARM-WHITE	 120°	350	70.00	 TEXTURED GREY

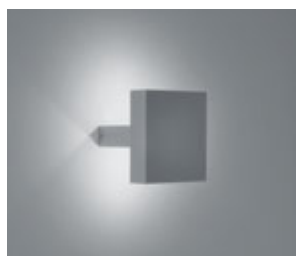
**401402 HYDROMASK 02 LED**




Wall-mounting luminaire for outdoor installation, with 2 sides 120° light distribution. Phospho-chromatised and polyester powder coated die-cast copper-free aluminium body, tempered safety glass, moulded silicone gasket and stainless steel screws. Built-in LED driver 220-240V 50-60Hz, with 2 x 5W COB LED. IP65 rating.



**Energy Label** A++

- Material: high corrosion resistance die-cast copper-free aluminum body
- Coating: polyester powder coating with phosphochromating pre-finish
- NR. 2 x 5W COB CREE LED
- Electronic transformer 220/240V 50/60Hz included
- Stainless steel screws
- Silicone rubber gasket
- Tempered glass diffuser



	LIGHT SOURCE	LED COLOR*	LIGHT BEAM OPTIONS	LUMEN OUTPUT (lm)	LUMINOUS EFFICACY (lm/w)	COLORS OPTIONS
10 WATT 220-240V 50-60HZ ELECTRONIC IP65 1,30 KG UNIT GROSS WEIGHT	COB LED	 3.000°K WARM-WHITE	 2 X 120°	2 X 350	70.00	 TEXTURED GREY

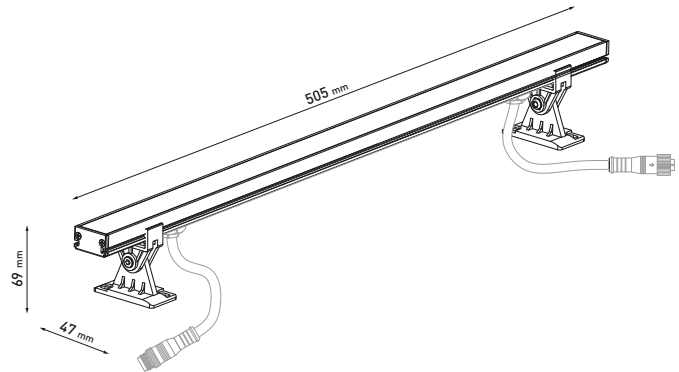
**406006 HYDROTARGET 500 LED**



505 mm LED bar for outdoor installation on a wall; installation with two fixing holders, adjustable through 180°. Anodized aluminium body, tempered safety glass and stainless steel screws. Double power cable with male/female quick couplings included, suitable for in-line installation. Remote driver 24V DC needed. With nr. 12 x 0.5W Nichia mid-power LED. IP65 rating.

**Energy Label** A++

- Material: anodized aluminum silver finish.
- NR. 12 x 0.5W Nichia mid-power LED.
- Tempered safety glass, 23 mm thickness.
- Adjustable through 180 degrees.
- Double power cables included, supplied with male/female quick coupling for in-line installation



	LIGHT SOURCE	LED COLOR*	LIGHT BEAM OPTIONS	LUMEN OUTPUT (lm)	LUMINOUS EFFICACY (lm/w)	COLORS OPTIONS
6 WATT 24V DC IP65 0.30 KG UNIT GROSS WEIGHT	MID-POWER LED	3.000°K WARM-WHITE	40°	510	85	TEXTURED GREY

REMOTE DRIVER SELECTION						
BRAND	MANUFACTURER CODE	TYPE	WATT	IP RATE	NUMBERS OF FIXTURES	
MEANWELL	LPV-20-24	CONSTANT VOLTAGE 24V DC	20W	IP67	MIN 1 - MAX 3	
MEANWELL	LPV-35-24	CONSTANT VOLTAGE 24V DC	35W	IP67	MIN 1 - MAX 5	
MEANWELL	LPV-60-24	CONSTANT VOLTAGE 24V DC	60W	IP67	MIN 1 - MAX 9	



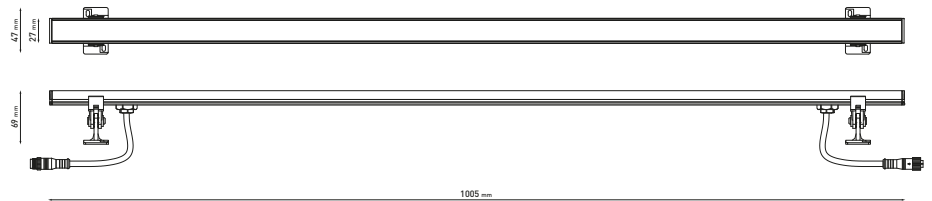
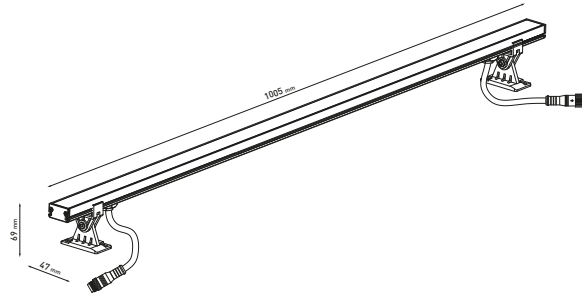
**406007 HYDROTARGET 1000 LED**



1.005 mm LED bar for outdoor installation on a wall; installation with two fixing holders, adjustable through 180°. Anodized aluminium body, tempered safety glass and stainless steel screws. Double power cable with male/female quick couplings included, suitable for in-line installation. Remote driver 24V DC needed. With nr. 24 x 0.5W Nichia mid-power LED. IP65 rating.

**Energy Label** A++

- Material: anodized aluminum silver finish.
- NR. 24 x 0.5W Nichia mid-power LED.
- Tempered safety glass, 23 mm thickness.
- Adjustable through 180 degrees.
- Double power cables included, supplied with male/female quick coupling for in-line installation



	LIGHT SOURCE	LED COLOR*	LIGHT BEAM OPTIONS	LUMEN OUTPUT (lm)	LUMINOUS EFFICACY (lm/w)	COLORS OPTIONS
12 WATT 24V DC IP65 0,50 KG UNIT GROSS WEIGHT	MID-POWER LED	3.000°K WARM-WHITE	40°	1.020	85	TEXTURED GREY

**REMOTE DRIVER SELECTION**

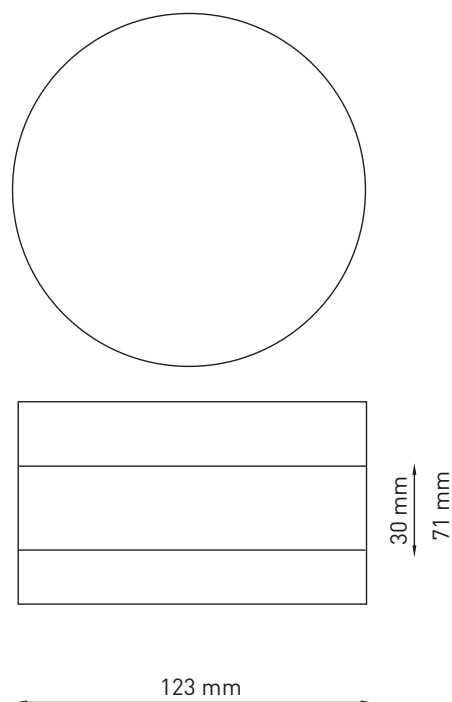
BRAND	MANUFACTURER CODE	TYPE	WATT	IP RATE	NUMBERS OF FIXTURES
MEANWELL	LPV-20-24	CONSTANT VOLTAGE 24V DC	20W	IP67	1
MEANWELL	LPV-35-24	CONSTANT VOLTAGE 24V DC	35W	IP67	MIN 1 - MAX 2
MEANWELL	LPV-60-24	CONSTANT VOLTAGE 24V DC	60W	IP67	MIN 1 - MAX 4
MEANWELL	LPV-100-24	CONSTANT VOLTAGE 24V DC	100W	IP67	MIN 1 - MAX 8

**401301 HYDRODISK 02 LED**

Round luminaire for outdoor installation on a façade/wall. "V-type" 2 ways light distribution. Phospho-chromatised and polyester powder coated die-cast copper-free aluminium body, PMMA diffuser, moulded silicone gasket and stainless steel screws. Built-in LED driver 220-240V 50-60Hz, with 2 x 1 high-power LED. IP65 rating.

**Energy Label** A++

- Material: high corrosion resistance die-cast copper-free aluminum body
- Coating: polyester powder coating with phosphochromating pre-finish
- NR. 2 x 1W LED
- Electronic transformer 220/240V 50/60Hz included
- Stainless steel screws
- Silicone rubber gasket
- PMMA diffuser
- 1 mt. neoprene power cable included



V - LIGHTING DISTRIBUTION, LIGHT BEAMS POSITIONED AT 90 DEGREES

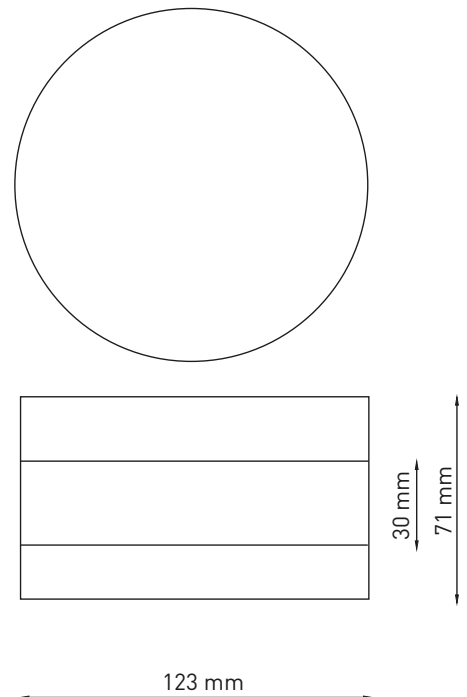
	LIGHT SOURCE	LED COLOR*	LIGHT BEAM OPTIONS	LUMEN OUTPUT (lm)	LUMINOUS EFFICACY (lm/w)	COLORS OPTIONS
2 WATT 220-240V 50-60HZ ELECTRONIC IP65 0,70 KG UNIT GROSS WEIGHT	HIGH-POWER LED	3.000°K WARM-WHITE	2 X 5°	2 X 80	80.00	MATT BLACK

**401302 HYDRODISK 04 LED**




Round luminaire for outdoor installation on a façade/wall. "X-type" 4 ways light distribution. Phospho-chromatised and polyester powder coated die-cast copper-free aluminium body, tempered safety glass, moulded silicone gasket and stainless steel screws. Built-in LED driver 220-240V 50-60Hz, with 4 x 1 high-power LED. IP65 rating.

**Energy Label** A++

- Material: high corrosion resistance die-cast copper-free aluminum body
- Coating: polyester powder coating with phosphochromating pre-finish
- NR. 4 x 1W LED
- Electronic transformer 220/240V 50/60Hz included
- Stainless steel screws
- Silicone rubber gasket
- PMMA diffuser
- 1 mt. neoprene power cable included



X - LIGHTING DISTRIBUTION, LIGHT BEAMS POSITIONED AT 90 DEGREES

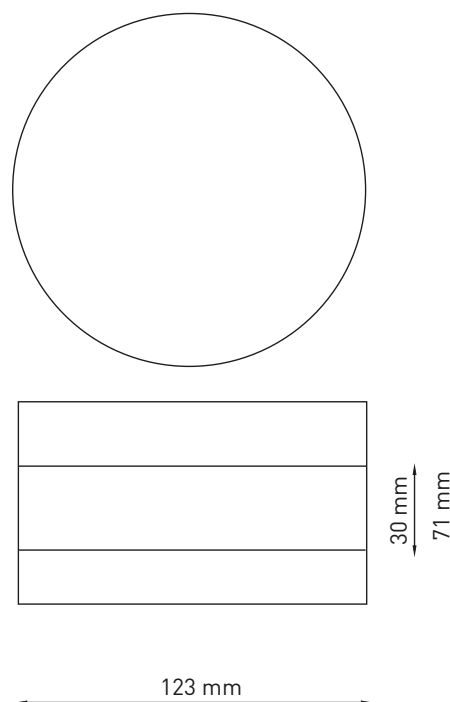
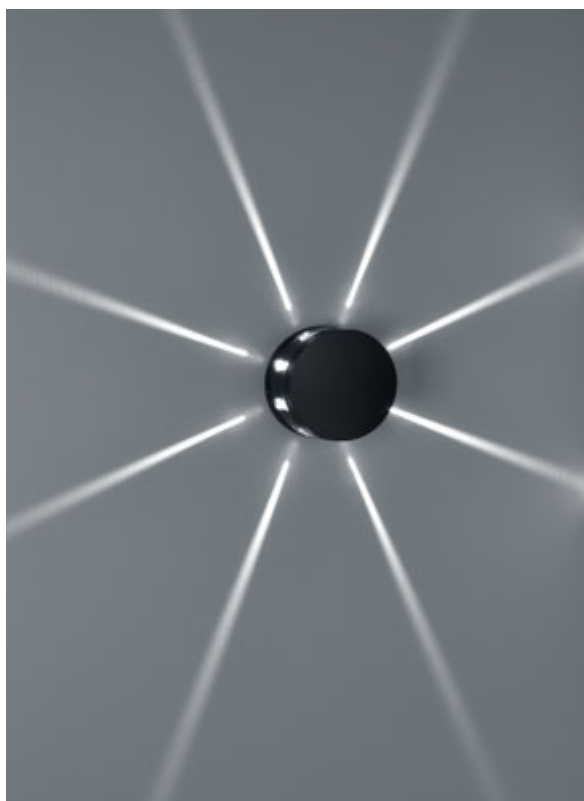
	LIGHT SOURCE	LED COLOR*	LIGHT BEAM OPTIONS	LUMEN OUTPUT (lm)	LUMINOUS EFFICACY (lm/w)	COLORS OPTIONS
4 WATT 220-240V 50-60HZ ELECTRONIC IP65 0,80 KG UNIT GROSS WEIGHT	HIGH-POWER LED	 3.000°K WARM-WHITE	 4 X 5°	4 X 80	80.00	 MATT BLACK

**401303 HYDRODISK 08 LED**




Round luminaire for outdoor installation on a façade/wall. "8-lights type" 8 ways light distribution. Phospho-chromatised and polyester powder coated die-cast copper-free aluminium body, tempered safety glass, moulded silicone gasket and stainless steel screws. Built-in LED driver 220-240V 50-60Hz, with 8 x 1 high-power LED. IP65 rating.

**Energy Label** A++

- Material: high corrosion resistance die-cast copper-free aluminum body
- Coating: polyester powder coating with phosphochromating pre-finish
- NR. 8 x 1W LED
- Electronic transformer 220/240V 50/60Hz included
- Stainless steel screws
- Silicone rubber gasket
- PMMA diffuser
- 1 mt. neoprene power cable included



8-LIGHTS - LIGHTING DISTRIBUTION, LIGHT BEAMS POSITIONED AT 45 DEGREES

	LIGHT SOURCE	LED COLOR*	LIGHT BEAM OPTIONS	LUMEN OUTPUT (lm)	LUMINOUS EFFICACY (lm/w)	COLORS OPTIONS
8 WATT 220-240V 50-60HZ ELECTRONIC IP65 1,00 KG UNIT GROSS WEIGHT	HIGH-POWER LED	 3.000°K WARM-WHITE	 8 X 5°	8 X 80	80.00	 MATT BLACK

p.uk.®







# Wall Recessed



503000 HYDROLINE STEP

page. **250**



501000 HYDROBLADE

page. **252**



502000 HYDROSTEP

page. **253**

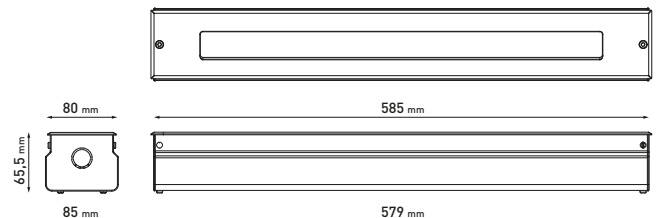
**503001 HYDROLINE STEP 01 LED**



Linear wall-recessed luminaire for outdoor installation, length 500mm, Phospho-chromatised and polyester powder coated extruded copper-free aluminium body and stainless steel AISI 304 frame, tempered frosted glass diffuser, moulded silicone gaskets, stainless steel recessing sleeve. Asymmetrical light distribution. Built-in LED driver 220-240V 50-60Hz, with 28 CREE XH-G mid-power LED. IP67 rating.

**Energy Label** **A++**

- Material: high corrosion resistance extruded copper-free aluminum body
- Coating: polyester powder coating with phosphochromating pre-finish
- NR. 28 CREE XH-G mid-power LED
- Electronic transformer 220/240V 50/60Hz included
- Stainless steel trim AISI 304
- Stainless steel screws
- Silicone rubber gasket
- Tempered frosted glass diffuser.
- Stainless steel recessing sleeve.
- Protection against impact IK09 (10 joule)
- Double M20 cable gland
- 1 mt. neoprene power cable included



DALI VERSION  
AVAILABLE ON REQUEST

	LIGHT SOURCE	LED COLOR*	LIGHT BEAM OPTIONS	LUMEN OUTPUT (lm)	LUMINOUS EFFICACY (lm/w)	COLORS OPTIONS
17 WATT 220-240V 50-60HZ ELECTRONIC IP67 4,00 KG UNIT GROSS WEIGHT	MID-POWER LED	3.000°K WARM-WHITE	ASYMM 120°	1.000	58.82	STAINLESS STEEL

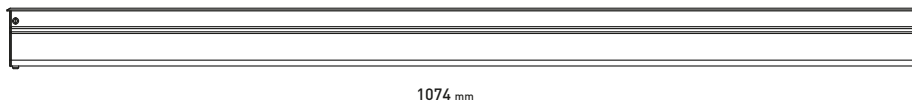
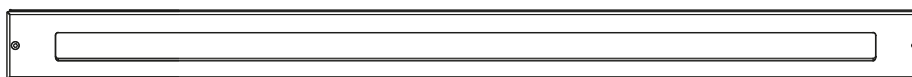
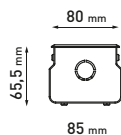
**503002 HYDROLINE STEP 02 LED**



Linear ground-recessed luminaire for outdoor installation, length 1.000mm, Phosphochromatised and polyester powder coated extruded copper-free aluminium body and stainless steel AISI 304 frame, tempered frosted glass diffuser, moulded silicone gaskets, stainless steel recessing sleeve. Asymmetrical light distribution. Built-in LED driver 220-240V 50-60Hz, with 56 CREE XH-G mid-power LED. IP67 rating.

**Energy Label** **A++**

- Material: high corrosion resistance extruded copper-free aluminum body
- Coating: polyester powder coating with phosphochromating pre-finish
- NR. 56 CREE XH-G mid-power LED
- Electronic transformer 220/240V 0/60Hz included
- Stainless steel trim AISI 304
- Stainless steel screws
- Silicone rubber gasket
- Tempered frosted glass diffuser.
- Stainless steel recessing sleeve.
- Protection against impact IK09 (10 joule)
- Double M20 cable gland
- 1 mt. neoprene power cable included

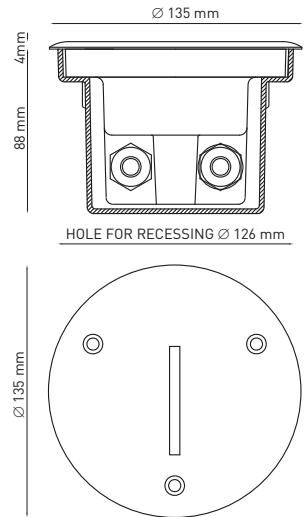


DALI VERSION  
AVAILABLE ON REQUEST

	LIGHT SOURCE	LED COLOR*	LIGHT BEAM OPTIONS	LUMEN OUTPUT (lm)	LUMINOUS EFFICACY (lm/w)	COLORS OPTIONS
34 WATT 220-240V 50-60HZ ELECTRONIC IP67 7,00 KG UNIT GROSS WEIGHT	MID-POWER LED	3.000°K WARM-WHITE	ASYMM 120°	2.000	58.82	STAINLESS STEEL

### 501001 HYDROBLADE COMPACT ROUND LED

Recessed round luminaire for outdoor installation in the wall, phospho-chromatised and polyester powder coated die-cast copper-free aluminium body, stainless steel AISI 304 frame, tempered safety glass, moulded silicone gasket and stainless steel screws. Built-in LED driver 220-240V 50-60Hz, with 1 high-power LED. IP65 rating.



#### Energy Label **A++**

- Material: high corrosion resistance die-cast copper-free aluminum body
- Coating: polyester powder coating with phosphochromating pre-finish
- Stainless steel AISI 304 trim.
- NR. 1 x 1W LED
- Electronic transformer 220/240V 50/60Hz included
- Stainless steel screws
- Silicone rubber gasket
- Tempered safety glass.
- Protection against impact IK09 (10 joule)
- Double cable gland PG11
- Polypropilene recessing box included.
- 1 mt. neoprene power cable included

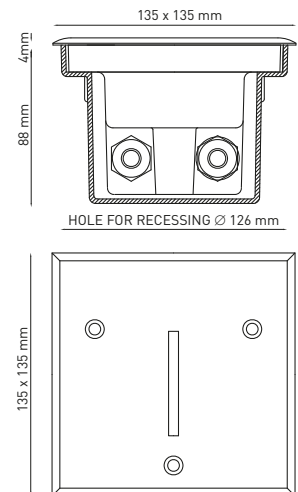
2 WATT  
220-240V 50-60HZ ELECTRONIC  
IP65  
1.40 KG UNIT GROSS WEIGHT

LIGHT SOURCE	LED COLOR*	LIGHT BEAM OPTIONS	LUMEN OUTPUT (lm)	LUMINOUS EFFICACY (lm/w)	COLORS OPTIONS
HIGH-POWER LED	3.000°K WARM-WHITE	SPOT DIRECTIONAL	96	48.00	STAINLESS STEEL
	4.000°K NEUTRAL-WHITE	SPOT DIRECTIONAL	100	50.00	

\* OTHER LIGHT COLORS AVAILABLE ON REQUEST: ● BLUE

### 501002 HYDROBLADE COMPACT SQUARE LED

Recessed square luminaire for outdoor installation in the wall, phospho-chromatised and polyester powder coated die-cast copper-free aluminium body, stainless steel AISI 304 frame, tempered safety glass, moulded silicone gasket and stainless steel screws. Built-in LED driver 220-240V 50-60Hz, with 1 high-power LED. IP65 rating.



#### Energy Label **A++**

- Material: high corrosion resistance die-cast copper-free aluminum body
- Coating: polyester powder coating with phosphochromating pre-finish
- Stainless steel AISI 304 trim.
- NR. 1 x 1W LED
- Electronic transformer 220/240V 50/60Hz included
- Stainless steel screws
- Silicone rubber gasket
- Tempered safety glass.
- Protection against impact IK09 (10 joule)
- Double cable gland PG11
- Polypropilene recessing box included.
- 1 mt. neoprene power cable included

2 WATT  
220-240V 50-60HZ ELECTRONIC  
IP65  
1.40 KG UNIT GROSS WEIGHT

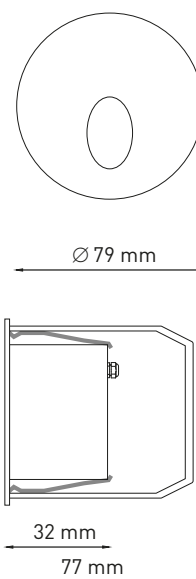
LIGHT SOURCE	LED COLOR*	LIGHT BEAM OPTIONS	LUMEN OUTPUT (lm)	LUMINOUS EFFICACY (lm/w)	COLORS OPTIONS
HIGH-POWER LED	3.000°K WARM-WHITE	SPOT DIRECTIONAL	96	48.00	STAINLESS STEEL
	4.000°K NEUTRAL-WHITE	SPOT DIRECTIONAL	100	50.00	

**502014 HYDROSTEP - TONDO - T 03 LED**

Recessed round steplight for outdoor installation in the wall, stainless steel AISI 316 body and frame, tempered safety glass, moulded silicone gasket and stainless steel screws. Built-in LED driver 220-240V 50-60Hz, with 1 high-power CREE LED. IP65 rating.

**Energy Label** **A++**

- Stainless Steel AISI 316 body and frame.
- NR. 1 x 1W CREE LED
- Electronic transformer 220/240V 50/60Hz included
- Stainless steel screws
- Silicone rubber gasket
- Protection against impact IK09 (10 joule)
- Polypropilene recessing box included.
- 0.2 mt. neoprene power cable included



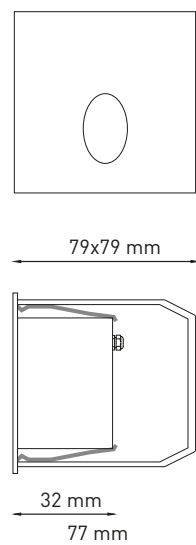
	LIGHT SOURCE	LED COLOR*	LIGHT BEAM OPTIONS	LUMEN OUTPUT (lm)	LUMINOUS EFFICACY (lm/w)	COLORS OPTIONS
1 WATT 220-240V 50-60HZ ELECTRONIC IP65 0.60 KG UNIT GROSS WEIGHT	HIGH-POWER LED	3.000°K WARM-WHITE	80° ASYMMETRIC	60	60.00	TEXTURED GREY

**502015 HYDROSTEP - QUADRO - Q 03 LED**

Recessed square steplight for outdoor installation in the wall, stainless steel AISI 316 body and frame, tempered safety glass, moulded silicone gasket and stainless steel screws. Built-in LED driver 220-240V 50-60Hz, with 1 high-power CREE LED. IP65 rating.

**Energy Label** **A++**

- Stainless Steel AISI 316 body and frame.
- NR. 1 x 1W CREE LED
- Electronic transformer 220/240V 50/60Hz included
- Stainless steel screws
- Silicone rubber gasket
- Protection against impact IK09 (10 joule)
- Polypropilene recessing box included.
- 0.2 mt. neoprene power cable included



	LIGHT SOURCE	LED COLOR*	LIGHT BEAM OPTIONS	LUMEN OUTPUT (lm)	LUMINOUS EFFICACY (lm/w)	COLORS OPTIONS
1 WATT 220-240V 50-60HZ ELECTRONIC IP65 0.60 KG UNIT GROSS WEIGHT	HIGH-POWER LED	3.000°K WARM-WHITE	80° ASYMMETRIC	60	60.00	TEXTURED GREY

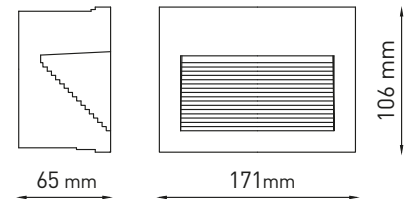
**502018 HYDROSTEP - QUADRO - Q 04 LED**




Recessed linear steplight for outdoor installation in the wall, phospho-chromatised and polyester powder coated die-cast copper-free aluminium body and frame, tempered frosted glass diffuser, polypropilene housing for recess, moulded silicone gasket and stainless steel screws. Built-in LED driver 220-240V 50-60Hz, with 24 low-power SMD3528 LED. IP65 rating.



**Energy Label** A++

- Material: high corrosion resistance die-cast copper-free aluminum body and frame.
- Coating: polyester powder coating with phosphochromating pre-finish
- NR. 24 x SMD3528 LED
- Electronic transformer 220/240V 50/60Hz included
- Stainless steel screws
- Silicone rubber gasket
- Tempered safety glass.
- 0.50 mt. neoprene power cable included



	LIGHT SOURCE	LED COLOR*	LIGHT BEAM OPTIONS	LUMEN OUTPUT (lm)	LUMINOUS EFFICACY (lm/w)	COLORS OPTIONS
3 WATT 220-240V 50-60HZ ELECTRONIC IP65 0,85 KG UNIT GROSS WEIGHT	SMD3528	 3.000°K WARM-WHITE	 120°	70	23.33	 TEXTURED GREY

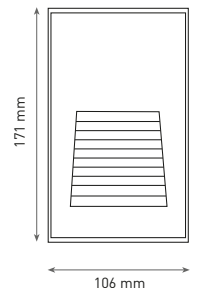
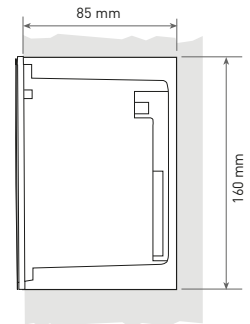
**502019 HYDROSTEP - QUADRO - Q 06 LED**




Recessed linear steplight for outdoor installation in the wall, phospho-chromatised and polyester powder coated die-cast copper-free aluminium body and frame, tempered frosted glass diffuser, polypropilene housing for recess, moulded silicone gasket and stainless steel screws. Built-in LED driver 220-240V 50-60Hz, with 18 low-power SMD3528 LED. IP65 rating.



**Energy Label** A++

- Material: high corrosion resistance die-cast copper-free aluminum body and frame.
- Coating: polyester powder coating with phosphochromating pre-finish
- NR. 18 x SMD3528 LED
- Electronic transformer 220/240V 50/60Hz included
- Stainless steel screws
- Silicone rubber gasket
- Tempered safety glass.
- 0.50 mt. neoprene power cable included

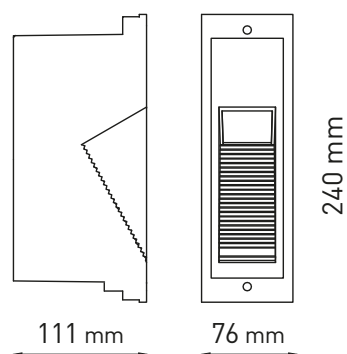





	LIGHT SOURCE	LED COLOR*	LIGHT BEAM OPTIONS	LUMEN OUTPUT (lm)	LUMINOUS EFFICACY (lm/w)	COLORS OPTIONS
2 WATT 220-240V 50-60HZ ELECTRONIC IP65 0,90 KG UNIT GROSS WEIGHT	SMD3528	 3.000°K WARM-WHITE	 120°	50	25.00	 TEXTURED GREY

### 502007P HYDROSTEP - RETTANGOLO - GU10

Recessed rectangular steplight for outdoor installation in the wall, phospho-chromatised and polyester powder coated die-cast copper-free aluminium body and frame, tempered safety glass, moulded silicone gasket and stainless steel screws. GU10 LED / halogen. IP65 rating.

- Material: high corrosion resistance die-cast copper-free aluminum body
- Coating: polyester powder coating with phosphochromating pre-finish
- Stainless steel screws
- Silicone rubber gasket
- Tempered safety glass.
- Protection against impact IK09 (10 joule)
- Polypropylene recessing box included.



	LIGHT SOURCE	LIGHT COLOR	LIGHT BEAM OPTIONS	COLORS OPTIONS
35 WATT MAX 220-240V 50-60HZ IP55 1.20 KG UNIT GROSS WEIGHT	 GU10 LED / HALOGEN	SEE BULB FEATURES	 DIRECTIONAL	 DARK-GREY

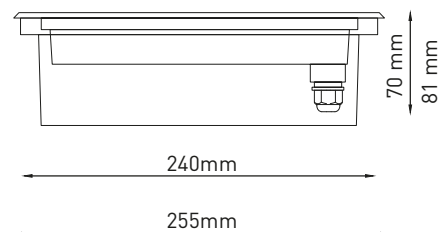
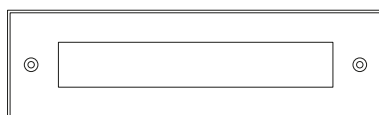
### 502010 HYDROSTEP - LINEAR 01 - LED




Recessed linear steplight for outdoor installation in the wall, phospho-chromatised and polyester powder coated die-cast copper-free aluminium body, stainless steel frame, tempered frosted glass diffuser, polypropilene housing for recess, moulded silicone gasket and stainless steel screws. Built-in LED driver 220-240V 50-60Hz, with 54 low-power SMD3528 LED. IP65 rating.



#### Energy Label **A++**

- Material: high corrosion resistance die-cast copper-free aluminum body
- Coating: polyester powder coating with phosphochromating pre-finish
- Stainless steel AISI 304 frame.
- NR. 54 x SMD3528 LED
- Electronic transformer 220/240V 50/60Hz included
- Stainless steel screws
- Silicone rubber gasket
- Tempered safety fully frosted glass.
- Protection against impact IK09 (10 joule)
- Polypropilene recessing box included.
- 0.5 mt. neoprene power cable included



	LIGHT SOURCE	LED COLOR*	LIGHT BEAM OPTIONS	LUMEN OUTPUT (lm)	LUMINOUS EFFICACY (lm/w)	COLORS OPTIONS
7 WATT 220-240V 50-60HZ ELECTRONIC IP65 1.20 KG UNIT GROSS WEIGHT	SMD3528 LED	 3.000°K WARM-WHITE	 100°	140	20.00	 STAINLESS STEEL

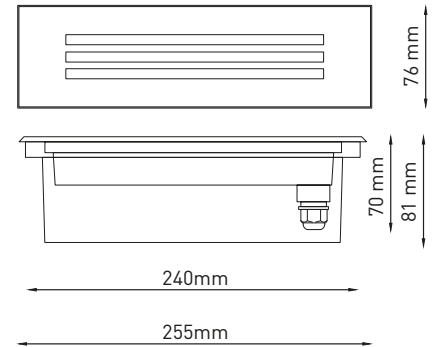
**502011 HYDROSTEP - LINEAR 02 - LED**

Recessed linear steplight for outdoor installation in the wall, phospho-chromatised and polyester powder coated die-cast copper-free aluminium body, stainless steel frame and grid, tempered frosted glass diffuser, polypropilene housing for recess, moulded silicone gasket and stainless steel screws. Built-in LED driver 220-240V 50-60Hz, with 54 low-power SMD3528 LED. IP65 rating.



**Energy Label** A++

- Material: high corrosion resistance die-cast copper-free aluminum body
- Coating: polyester powder coating with phosphochromating pre-finish
- Stainless steel AISI 304 frame.
- NR. 54 x SMD3528 LED
- Electronic transformer 220/240V 50/60Hz included
- Stainless steel screws
- Silicone rubber gasket
- Tempered safety fully frosted glass.
- Protection against impact IK09 (10 joule)
- Polypropilene recessing box included.
- 0.5 mt. neoprene power cable included



	LIGHT SOURCE	LED COLOR*	LIGHT BEAM OPTIONS	LUMEN OUTPUT (lm)	LUMINOUS EFFICACY (lm/w)	COLORS OPTIONS
7 WATT 220-240V 50-60HZ ELECTRONIC IP65 1.20 KG UNIT GROSS WEIGHT	SMD3528 LED	3.000°K WARM-WHITE	100°	80	11.43	STAINLESS STEEL

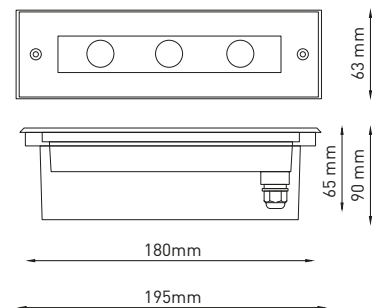
**502012 HYDROSTEP - LINEAR 03 - LED**

Recessed linear steplight for outdoor installation in the wall, asymmetrical light distribution, phospho-chromatised and polyester powder coated die-cast copper-free aluminium body, stainless steel frame, tempered clear glass, polypropilene housing for recess, moulded silicone gasket and stainless steel screws. Built-in LED driver 220-240V 50-60Hz, with 3 high-power OSRAM LED. IP65 rating.



**Energy Label** A++

- Material: high corrosion resistance die-cast copper-free aluminum body
- Coating: polyester powder coating with phosphochromating pre-finish
- Stainless steel AISI 304 frame.
- NR. 3 x OSRAM LED
- Electronic transformer 220/240V 50/60Hz included
- Stainless steel screws
- Silicone rubber gasket
- Tempered safety glass.
- Protection against impact IK09 (10 joule)
- Polypropylene recessing box included.
- 0.5 mt. neoprene power cable included



	LIGHT SOURCE	LED COLOR*	LIGHT BEAM OPTIONS	LUMEN OUTPUT (lm)	LUMINOUS EFFICACY (lm/w)	COLORS OPTIONS
3 WATT 220-240V 50-60HZ ELECTRONIC IP65 0.90 KG UNIT GROSS WEIGHT	HIGH-POWER LED	3.000°K WARM-WHITE	45°X 35° ASYMMETRIC	230	76.67	STAINLESS STEEL



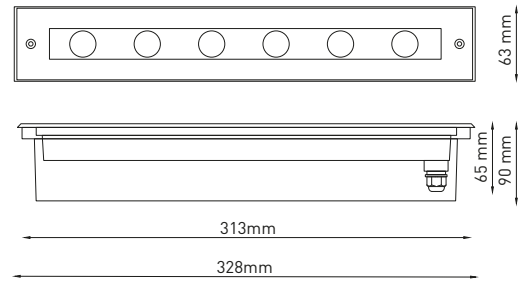
**502013 HYDROSTEP - LINEAR 04 - LED**

Recessed linear steplight for outdoor installation in the wall, asymmetrical light distribution, phospho-chromatised and polyester powder coated die-cast copper-free aluminium body, stainless steel frame, tempered clear glass, polypropilene housing for recess, moulded silicone gasket and stainless steel screws. Built-in LED driver 220-240V 50-60Hz, with 6 high-power OSRAM LED. IP65 rating.



**Energy Label A++**

- Material: high corrosion resistance die-cast copper-free aluminum body
- Coating: polyester powder coating with phosphochromating pre-finish
- Stainless steel AISI 304 frame.
- NR. 6 x OSRAM LED
- Electronic transformer 220/240V 50/60Hz included
- Stainless steel screws
- Silicone rubber gasket
- Tempered safety glass.
- Protection against impact IK09 (10 joule)
- Polypropylene recessing box included.
- 0.5 mt. neoprene power cable included



	LIGHT SOURCE	LED COLOR*	LIGHT BEAM OPTIONS	LUMEN OUTPUT (lm)	LUMINOUS EFFICACY (lm/w)	COLORS OPTIONS
6 WATT 220-240V 50-60HZ ELECTRONIC IP65 1.30 KG UNIT GROSS WEIGHT	HIGH-POWER LED	3.000°K WARM-WHITE	45°X 35° ASYMMETRIC	410	68.34	STAINLESS STEEL

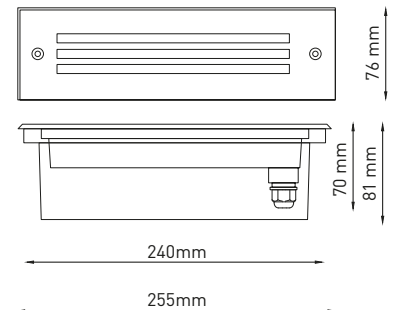
**502016 HYDROSTEP - LINEAR - 05 LED**

Recessed linear steplight for outdoor installation in the wall, phospho-chromatised and polyester powder coated die-cast copper-free aluminium body and frame, tempered frosted glass diffuser, polypropilene housing for recess, moulded silicone gasket and stainless steel screws. Built-in LED driver 220-240V 50-60Hz, with 54 low-power SMD3528 LED. IP65 rating.



**Energy Label A++**

- Material: high corrosion resistance die-cast copper-free aluminum body and frame.
- Coating: polyester powder coating with phosphochromating pre-finish
- NR. 54 x SMD3528 LED
- Electronic transformer 220/240V 50/60Hz included
- Stainless steel screws
- Silicone rubber gasket
- Tempered safety glass.
- 0.50 mt. neoprene power cable included



	LIGHT SOURCE	LED COLOR*	LIGHT BEAM OPTIONS	LUMEN OUTPUT (lm)	LUMINOUS EFFICACY (lm/w)	COLORS OPTIONS
7 WATT 220-240V 50-60HZ ELECTRONIC IP65 1,05 KG UNIT GROSS WEIGHT	SMD3528	3.000°K WARM-WHITE	120°	140	20.00	TEXTURED GREY





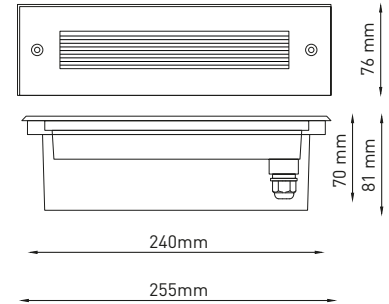
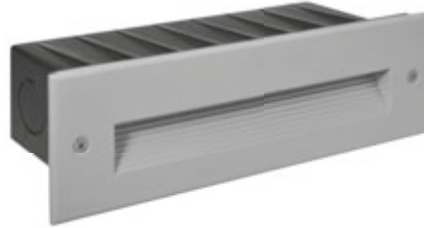
**502017 HYDROSTEP - LINEAR - 06 LED**

Recessed linear steplight for outdoor installation in the wall, phospho-chromatised and polyester powder coated die-cast copper-free aluminium body and frame, tempered frosted glass diffuser, polypropilene housing for recess, moulded silicone gasket and stainless steel screws. Built-in LED driver 220-240V 50-60Hz, with 15 low-power SMD5630 LED. IP65 rating.



**Energy Label** A++

- Material: high corrosion resistance die-cast copper-free aluminum body and frame.
- Coating: polyester powder coating with phosphochromating pre-finish
- NR. 15 x SMD5630 LED
- Electronic transformer 220/240V 50/60Hz included
- Stainless steel screws
- Silicone rubber gasket
- Tempered safety glass.
- 0.50 mt. neoprene power cable included



	LIGHT SOURCE	LED COLOR*	LIGHT BEAM OPTIONS	LUMEN OUTPUT (lm)	LUMINOUS EFFICACY (lm/w)	COLORS OPTIONS
7 WATT 220-240V 50-60HZ ELECTRONIC IP65 1,00 KG UNIT GROSS WEIGHT	SMD5630	3.000°K WARM-WHITE	120°	180	25.71	TEXTURED GREY

**502020 HYDROSTEP - LINEAR - 07 LED**

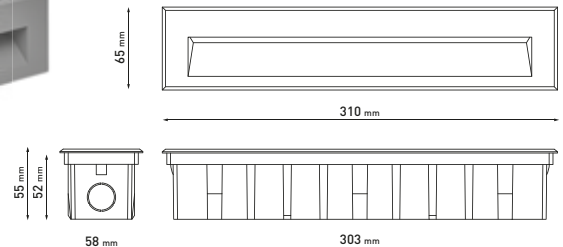
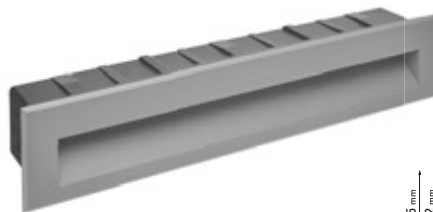


Recessed linear steplight for outdoor installation in the wall, phospho-chromatised and polyester powder coated die-cast copper-free aluminium body and frame, tempered frosted glass diffuser, polypropilene housing for recess, moulded silicone gasket and stainless steel screws. Built-in LED driver 220-240V 50-60Hz, with 30 low-power SMD5630 LED. IP65 rating.



**Energy Label** A++

- Material: high corrosion resistance die-cast copper-free aluminum body and frame.
- Coating: polyester powder coating with phosphochromating pre-finish
- NR. 30 x SMD5630 LED
- Electronic transformer 220/240V 50/60Hz included
- Stainless steel screws
- Silicone rubber gasket
- Tempered safety glass.
- 0.50 mt. neoprene power cable included














	LIGHT SOURCE	LED COLOR*	LIGHT BEAM OPTIONS	LUMEN OUTPUT (lm)	LUMINOUS EFFICACY (lm/w)	COLORS OPTIONS
10.5 WATT 220-240V 50-60HZ ELECTRONIC IP65 1,50 KG UNIT GROSS WEIGHT	LOW-POWER LED	3.000°K WARM-WHITE	ASYMM 120°	360	34.28	TEXTURED GREY







# Bollards

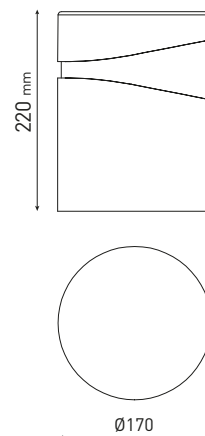
	609001 HYDROBOULEVARD	page. <b>264</b>
	608001 HYDROSURF BOLLARD	page. <b>273</b>
	601000 HYDROPHARO	page. <b>275</b>
	603000 HYDROWAY	page. <b>277</b>
	601400 HYDROWAY STEEL	page. <b>284</b>
	601300 HYDROBULLET	page. <b>287</b>
	604000 HYDROLANE	page. <b>288</b>
	605000 HYDROSIDE	page. <b>290</b>
	606000 HYDROPLATE	page. <b>291</b>
	601200 HYDROSTICK	page. <b>292</b>
	601100 HYDROSWING	page. <b>293</b>

## 609001 HYDROBOULEVARD 01 180 LED

220mm height bollard, round shape, for outdoor surface installation, 180° light emission, phospho-chromatised and polyester powder coated die-cast copper-free aluminium body, polycarbonate diffuser, moulded silicone gasket and stainless steel screws. Anchorage bolts included- Built-in LED driver 220-240V 50-60Hz, with 12 CREE XH-G mid-power LED. IP65 rating. **Designed by MOMO DESIGN.**



BY **MOMODESIGN**



### Energy Label **A++**

- Material: high corrosion resistance die-cast copper-free aluminum body and frame.
- Coating: polyester powder coating with phosphochromating pre-finish
- NR. 12 CREE XH-G mid-power LED
- Electronic transformer 220/240V 50/60Hz included
- Stainless steel screws
- Silicone rubber gasket
- Polycarbonate diffuser
- Anchorage unit included



	LIGHT SOURCE	LED COLOR*	LIGHT BEAM OPTIONS	LUMEN OUTPUT (lm)	LUMINOUS EFFICACY (lm/w)	COLORS OPTIONS
9 WATT 220-240V 50-60HZ ELECTRONIC IP65 4,00 KG UNIT GROSS WEIGHT	MID-POWER LED	3.000°K WARM-WHITE	180°	800	88.88 $\neq$	<div style="display: flex; gap: 10px;"> <div style="width: 15px; height: 15px; background-color: #cccccc; border: 1px solid black;"></div> TEXTURED GREY           <div style="width: 15px; height: 15px; background-color: #333333; border: 1px solid black;"></div> MATT BLACK (ON REQUEST)         </div>

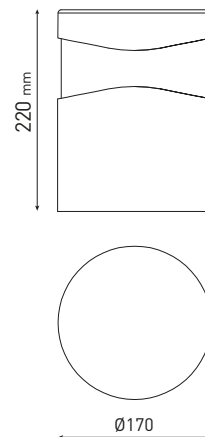
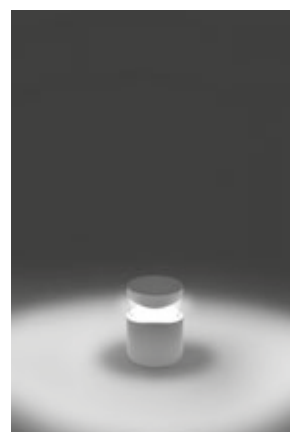
\* OTHER LIGHT COLORS AVAILABLE ON REQUEST: ○ 4000°K NEURAL WHITE

## 609002 HYDROBOULEVARD 01 360 LED

220mm height bollard, round shape, for outdoor surface installation, 360° light emission, phospho-chromatised and polyester powder coated die-cast copper-free aluminium body, polycarbonate diffuser, moulded silicone gasket and stainless steel screws. Anchorage bolts included- Built-in LED driver 220-240V 50-60Hz, with 24 CREE XH-G mid-power LED. IP65 rating. **Designed by MOMO DESIGN.**



BY **MOMODESIGN**



### Energy Label **A++**

- Material: high corrosion resistance die-cast copper-free aluminum body and frame.
- Coating: polyester powder coating with phosphochromating pre-finish
- NR. 24 CREE XH-G mid-power LED
- Electronic transformer 220/240V 50/60Hz included
- Stainless steel screws
- Silicone rubber gasket
- Polycarbonate diffuser
- Anchorage unit included



	LIGHT SOURCE	LED COLOR*	LIGHT BEAM OPTIONS	LUMEN OUTPUT (lm)	LUMINOUS EFFICACY (lm/w)	COLORS OPTIONS
18 WATT 220-240V 50-60HZ ELECTRONIC IP65 4,20 KG UNIT GROSS WEIGHT	MID-POWER LED	3.000°K WARM-WHITE	360°	1.600	84.21	<div style="display: flex; gap: 10px;"> <div style="width: 15px; height: 15px; background-color: #cccccc; border: 1px solid black;"></div> TEXTURED GREY           <div style="width: 15px; height: 15px; background-color: #333333; border: 1px solid black;"></div> MATT BLACK (ON REQUEST)         </div>

\* OTHER LIGHT COLORS AVAILABLE ON REQUEST: ○ 4000°K NEURAL WHITE





**609003 HYDROBOULEVARD 02 180 LED**

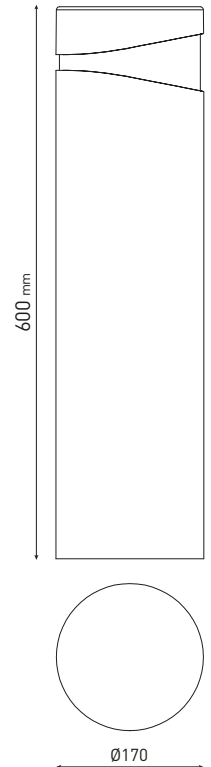
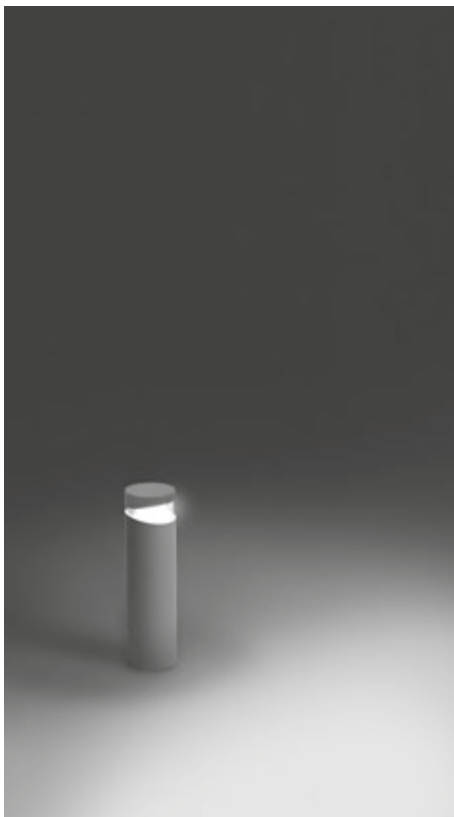
BY **MOMODESIGN**

600mm height bollard, round shape, for outdoor surface installation, 180° light emission, phospho-chromatised and polyester powder coated die-cast copper-free aluminium body, polycarbonate diffuser, moulded silicone gasket and stainless steel screws. Anchorage bolts included- Built-in LED driver 220-240V 50-60Hz, with 12 CREE XH-G mid-power LED. IP65 rating.

**Designed by MOMO DESIGN.**

**Energy Label** **A++**

- Material: high corrosion resistance die-cast copper-free aluminum body and frame.
- Coating: polyester powder coating with phosphochromating pre-finish
- NR. 12 CREE XH-G mid-power LED
- Electronic transformer 220/240V 50/60Hz included
- Stainless steel screws
- Silicone rubber gasket
- Polycarbonate diffuser
- Anchorage unit included



**1...10 V** **DALI**  
1-10 V DIMMABLE / DALI VERSION  
AVAILABLE ON REQUEST

	LIGHT SOURCE	LED COLOR*	LIGHT BEAM OPTIONS	LUMEN OUTPUT (lm)	LUMINOUS EFFICACY (lm/w)	COLORS OPTIONS
9 WATT 220-240V 50-60HZ ELECTRONIC IP65 5,50 KG UNIT GROSS WEIGHT	MID-POWER LED	3.000°K WARM-WHITE	180°	800	88.88	<div style="display: flex; gap: 10px;"> <div style="width: 15px; height: 15px; background-color: #cccccc; border: 1px solid black;"></div> TEXTURED GREY                     <div style="width: 15px; height: 15px; background-color: #333333; border: 1px solid black;"></div> MATT BLACK (ON REQUEST)                 </div>

\* OTHER LIGHT COLORS AVAILABLE ON REQUEST: ○ 4000°K NEURAL WHITE

**609004 HYDROBOULEVARD 02 360 LED**

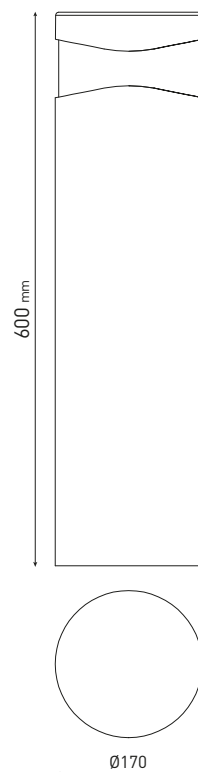
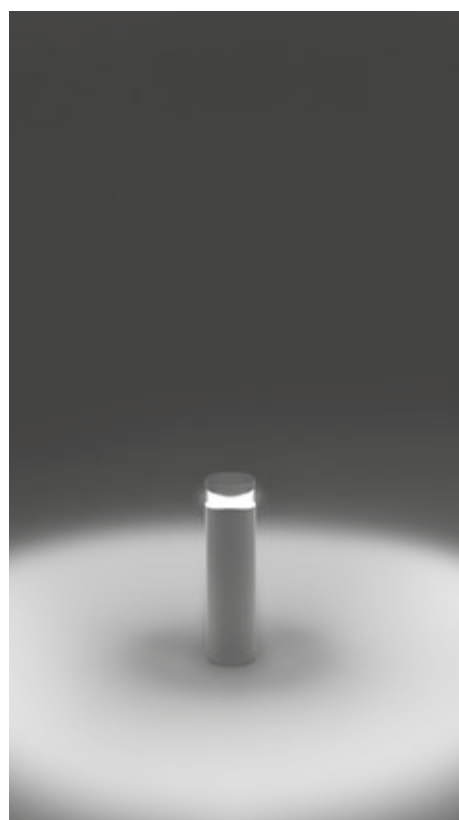
600mm height bollard, round shape, for outdoor surface installation, 360° light emission, phospho-chromatised and polyester powder coated die-cast copper-free aluminium body, polycarbonate diffuser, moulded silicone gasket and stainless steel screws. Anchorage bolts included- Built-in LED driver 220-240V 50-60Hz, with 24 CREE XH-G mid-power LED. IP65 rating.

**Designed by MOMO DESIGN.**

BY **MOMODESIGN**

**Energy Label** A++

- Material: high corrosion resistance die-cast copper-free aluminum body and frame.
- Coating: polyester powder coating with phosphochromating pre-finish
- NR. 24 CREE XH-G mid-power LED
- Electronic transformer 220/240V 50/60Hz included
- Stainless steel screws
- Silicone rubber gasket
- Polycarbonate diffuser
- Anchorage unit included



1-10 V DIMMABLE / DALI VERSION  
AVAILABLE ON REQUEST

	LIGHT SOURCE	LED COLOR*	LIGHT BEAM OPTIONS	LUMEN OUTPUT (lm)	LUMINOUS EFFICACY (lm/w)	COLORS OPTIONS
18 WATT 220-240V 50-60HZ ELECTRONIC IP65 5,70 KG UNIT GROSS WEIGHT	MID-POWER LED	3.000°K WARM-WHITE	360°	1.600	84.21	<div style="display: flex; gap: 10px;"> <div style="width: 15px; height: 15px; background-color: #808080; border: 1px solid black;"></div> TEXTURED GREY                     <div style="width: 15px; height: 15px; background-color: black; border: 1px solid black;"></div> MATT BLACK (ON REQUEST)                 </div>

\* OTHER LIGHT COLORS AVAILABLE ON REQUEST: ○ 4000°K NEURAL WHITE





**609005 HYDROBOULEVARD 03 180 LED**

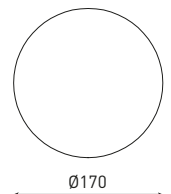
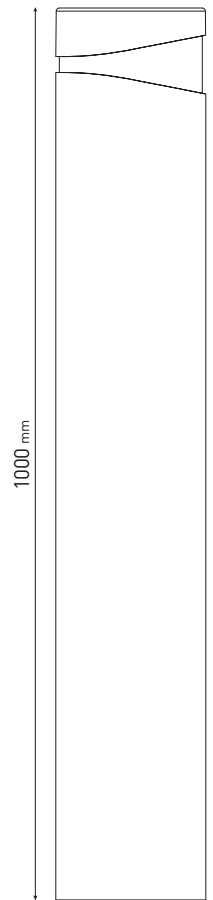
1000mm height bollard, round shape, for outdoor surface installation, 180° light emission, phospho-chromatised and polyester powder coated die-cast copper-free aluminium body, polycarbonate diffuser, moulded silicone gasket and stainless steel screws. Anchorage bolts included- Built-in LED driver 220-240V 50-60Hz, with 12 CREE XH-G mid-power LED. IP65 rating.

**Designed by MOMO DESIGN.**





BY **MOMO DESIGN**

**Energy Label** A++

- Material: high corrosion resistance die-cast copper-free aluminum body and frame.
- Coating: polyester powder coating with phosphochromating pre-finish
- NR. 12 CREE XH-G mid-power LED
- Electronic transformer 220/240V 50/60Hz included
- Stainless steel screws
- Silicone rubber gasket
- Polycarbonate diffuser
- Anchorage unit included



1-10 V DIMMABLE / DALI VERSION  
AVAILABLE ON REQUEST

	LIGHT SOURCE	LED COLOR*	LIGHT BEAM OPTIONS	LUMEN OUTPUT (lm)	LUMINOUS EFFICACY (lm/w)	COLORS OPTIONS
9 WATT 220-240V 50-60HZ ELECTRONIC IP65 7,00 KG UNIT GROSS WEIGHT	MID-POWER LED	 3.000°K WARM-WHITE	 180°	800	88.88	 TEXTURED GREY  MATT BLACK (ON REQUEST)

\* OTHER LIGHT COLORS AVAILABLE ON REQUEST: ○ 4000°K NEURAL WHITE



**609006 HYDROBOULEVARD 03 360 LED**

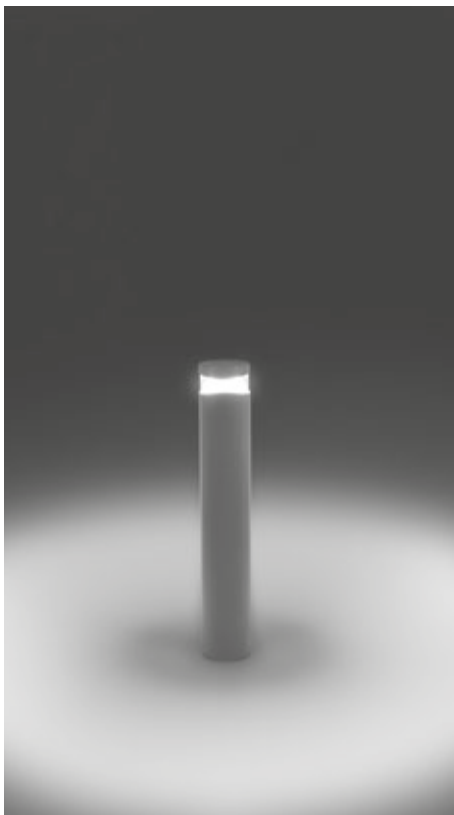
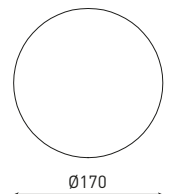
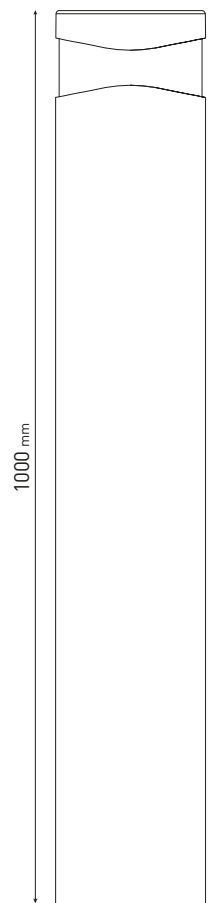
1000mm height bollard, round shape, for outdoor surface installation, 360° light emission, phospho-chromatised and polyester powder coated die-cast copper-free aluminium body, polycarbonate diffuser, moulded silicone gasket and stainless steel screws. Anchorage bolts included- Built-in LED driver 220-240V 50-60Hz, with 24 CREE XH-G mid-power LED. IP65 rating.

**Designed by MOMO DESIGN.**

BY **MOMO DESIGN**

**Energy Label** A++

- Material: high corrosion resistance die-cast copper-free aluminum body and frame.
- Coating: polyester powder coating with phosphochromating pre-finish
- NR. 24 CREE XH-G mid-power LED
- Electronic transformer 220/240V 50/60Hz included
- Stainless steel screws
- Silicone rubber gasket
- Polycarbonate diffuser
- Anchorage unit included



**1...10 V** **DALI**  
1-10 V DIMMABLE / DALI VERSION  
AVAILABLE ON REQUEST

	LIGHT SOURCE	LED COLOR*	LIGHT BEAM OPTIONS	LUMEN OUTPUT (lm)	LUMINOUS EFFICACY (lm/w)	COLORS OPTIONS
18 WATT 220-240V 50-60HZ ELECTRONIC IP65 7,20 KG UNIT GROSS WEIGHT	MID-POWER LED	3.000°K WARM-WHITE	360°	1.600	84.21	<span style="display: inline-block; width: 15px; height: 15px; background-color: #ccc; border: 1px solid #000;"></span> TEXTURED GREY <span style="display: inline-block; width: 15px; height: 15px; background-color: #000; border: 1px solid #000;"></span> MATT BLACK (ON REQUEST)

\* OTHER LIGHT COLORS AVAILABLE ON REQUEST: ○ 4000°K NEURAL WHITE

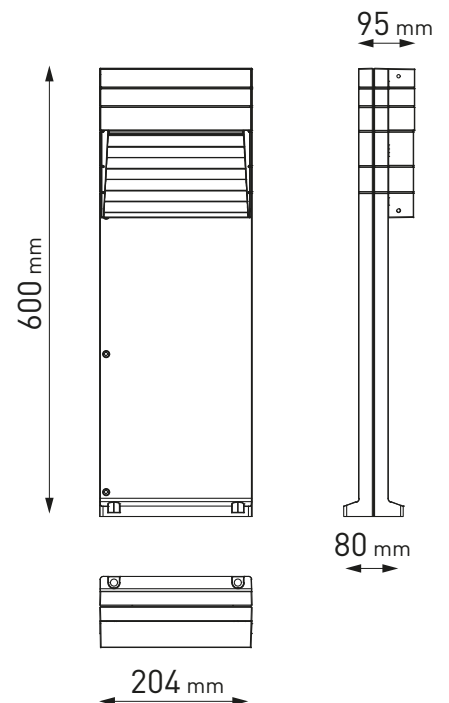




**608001 HYDROSURF BOLLARD 01 SQUARE LED**

600 mm height bollard, square shape, for outdoor surface installation, 180° light distribution, phospho-chromatised and polyester powder coated die-cast copper-free aluminium body, frosted glass diffuser, moulded silicone gasket and stainless steel screws. Built-in LED driver 220-240V 50-60Hz, with 14 mid-power CREE XH-G LED. IP65 rating.

**Energy Label** A++

- Material: high corrosion resistance die-cast copper-free aluminum body and frame.
- Coating: polyester powder coating with phosphochromating pre-finish
- NR. 14 x CREE XH-G LED
- Electronic transformer 220/240V 50/60Hz included
- Stainless steel screws
- Silicone rubber gasket
- Tempered safety glass



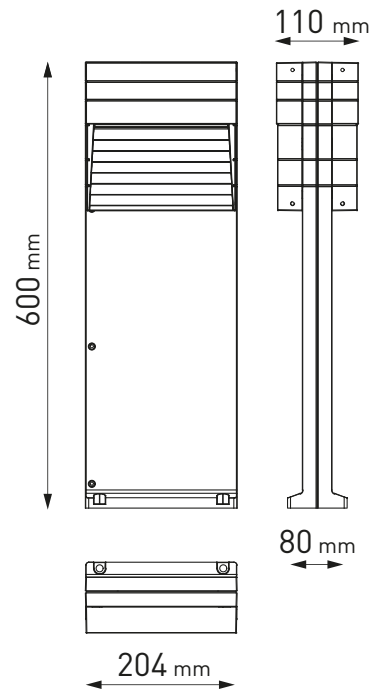
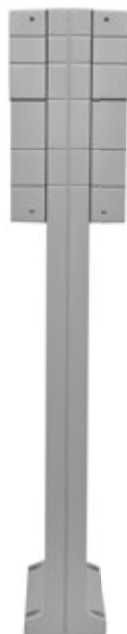
	LIGHT SOURCE	LED COLOR*	LIGHT BEAM OPTIONS	LUMEN OUTPUT (lm)	LUMINOUS EFFICACY (lm/w)	COLORS OPTIONS
8 WATT 220-240V 50-60HZ ELECTRONIC IP65 4,60 KG UNIT GROSS WEIGHT	MID-POWER LED	 3.000°K WARM-WHITE	 FLOOR WASHER 180°	650	81.25	<div style="display: flex; flex-direction: column; gap: 5px;"> <div><span style="display: inline-block; width: 15px; height: 15px; background-color: #808080; border: 1px solid black;"></span> TEXTURED GREY</div> <div><span style="display: inline-block; width: 15px; height: 15px; background-color: white; border: 1px solid black;"></span> MATT WHITE (ON REQUEST)</div> <div><span style="display: inline-block; width: 15px; height: 15px; background-color: black; border: 1px solid black;"></span> MATT BLACK (ON REQUEST)</div> </div>

**608002 HYDROSURF BOLLARD 02 SQUARE LED**

600 mm height bollard, square shape, for outdoor surface installation, floor washer 2x180° light distribution, phosphochromatised and polyester powder coated die-cast copper-free aluminium body, frosted glass diffuser, moulded silicone gasket and stainless steel screws. Built-in LED driver 220-240V 50-60Hz, with 2x14 mid-power CREE XH-G LED. IP65 rating.

**Energy Label** A++

- Material: high corrosion resistance die-cast copper-free aluminum body and frame.
- Coating: polyester powder coating with phosphochromating pre-finish
- NR. 2 x 14 x CREE XH-G LED
- Electronic transformer 220/240V 50/60Hz included
- Stainless steel screws
- Silicone rubber gasket
- Tempered safety glass



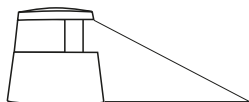
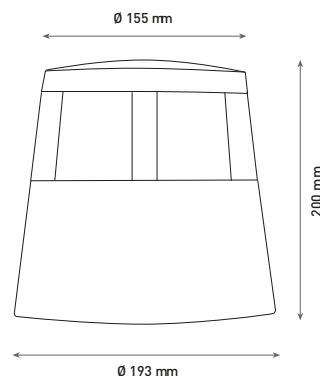
	LIGHT SOURCE	LED COLOR*	LIGHT BEAM OPTIONS	LUMEN OUTPUT (lm)	LUMINOUS EFFICACY (lm/w)	COLORS OPTIONS
16 WATT 220-240V 50-60HZ ELECTRONIC IP65 6 KG UNIT GROSS WEIGHT	MID-POWER LED	3.000°K WARM-WHITE	FLOOR WASHER 2X180°	2 X 650	81.25	<div style="display: flex; flex-direction: column; gap: 5px;"> <div><span style="display: inline-block; width: 15px; height: 15px; background-color: grey; border: 1px solid black;"></span> TEXTURED GREY</div> <div><span style="display: inline-block; width: 15px; height: 15px; background-color: white; border: 1px solid black;"></span> MATT WHITE (ON REQUEST)</div> <div><span style="display: inline-block; width: 15px; height: 15px; background-color: black; border: 1px solid black;"></span> MATT BLACK (ON REQUEST)</div> </div>



**601007 HYDROPHARO 01 E27**

Low height bollard, round shape, for outdoor surface installation, phospho-chromatised and polyester powder coated die-cast copper-free aluminium body, vandal-proof polycarbonate diffuser, moulded silicone gasket and stainless steel screws. Single light emission 180°. E27 lamp-holder, 230V 50Hz. IP65 rating.

**Energy Label** A++

- Material: high corrosion resistance die-cast copper-free aluminum body
- Coating: polyester powder coating with phosphochromating pre-finish
- Stainless steel screws
- Silicone rubber gasket
- Polycarbonate diffuser vandal-proof
- E27 lamp-holder
- Protection against impact IK09 (10 joule)
- Double PG 13.5 cable gland.



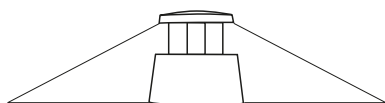
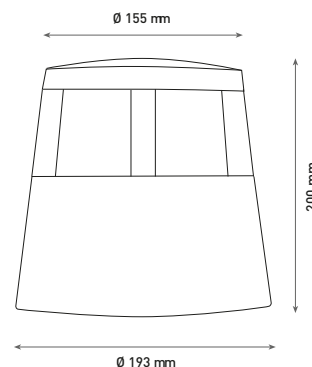
	LIGHT SOURCE	LIGHT COLOR	LIGHT BEAM OPTIONS	COLORS OPTIONS
E27 220-240V 50-60 HZ IP65 3.50 KG UNIT GROSS WEIGHT	E27	SEE BULB FEATURES	 180° LIGHT DISTRIBUTION	 TEXTURED GREY



**601008 HYDROPHARO 02 E27**

Low height bollard, round shape, for outdoor surface installation, phospho-chromatised and polyester powder coated die-cast copper-free aluminium body, vandal-proof polycarbonate diffuser, moulded silicone gasket and stainless steel screws. Double light emission 2 x 90°. E27 lamp-holder, 230V 50Hz. IP65 rating.

**Energy Label** A++

- Material: high corrosion resistance die-cast copper-free aluminum body
- Coating: polyester powder coating with phosphochromating pre-finish
- Stainless steel screws
- Silicone rubber gasket
- Polycarbonate diffuser vandal-proof
- E27 lamp-holder
- Protection against impact IK09 (10 joule)
- Double PG 13.5 cable gland.



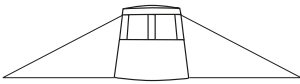
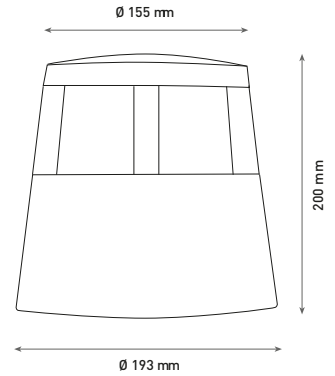
	LIGHT SOURCE	LIGHT COLOR	LIGHT BEAM OPTIONS	COLORS OPTIONS
E27 220-240V 50-60 HZ IP65 3.50 KG UNIT GROSS WEIGHT	E27	SEE BULB FEATURES	 2 X 90° LIGHT DISTRIBUTION	 TEXTURED GREY



**601009 HYDROPHARO 04 E27**

Low height bollard, round shape, for outdoor surface installation, phospho-chromatised and polyester powder coated die-cast copper-free aluminium body, vandal-proof polycarbonate diffuser, moulded silicone gasket and stainless steel screws. Full light emission 360°. E27 lamp-holder, 230V 50Hz. IP65 rating.

**Energy Label** A++

- Material: high corrosion resistance die-cast copper-free aluminum body
- Coating: polyester powder coating with phosphochromating pre-finish
- Stainless steel screws
- Silicone rubber gasket
- Polycarbonate diffuser vandal-proof
- E27 lamp-holder
- Protection against impact IK09 (10 joule)
- Double PG 13.5 cable gland.



	LIGHT SOURCE	LIGHT COLOR	LIGHT BEAM OPTIONS	COLORS OPTIONS
E27 220-240V 50-60 HZ IP65 3.50 KG UNIT GROSS WEIGHT	E27	SEE BULB FEATURES	 360° LIGHT DISTRIBUTION	 TEXTURED GREY





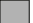
**603001 HYDROWAY MINI ROUND LED**

680mm height bollard, round shape, for outdoor surface installation, 360° light emission, phospho-chromatised and polyester powder coated die-cast copper-free aluminium body, polycarbonate diffuser, moulded silicone gasket and stainless steel screws. Anchorage unit included- Built-in LED driver 220-240V 50-60Hz, with 4 CREE XP-E high-power LED. IP65 rating.

**Energy Label** **A++**

- Material: high corrosion resistance die-cast copper-free aluminum body
- Coating: polyester powder coating with phosphochromating pre-finish
- NR. 4 x 2W CREE "XP-E" LED
- Electronic transformer 220/240V 50/60Hz included
- Stainless steel screws
- Silicone rubber gasket
- Polycarbonate diffuser.
- Anchorage unit included.



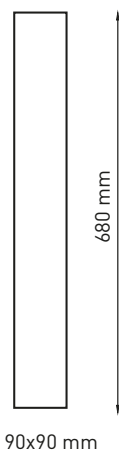
	LIGHT SOURCE	LED COLOR*	LIGHT BEAM OPTIONS	LUMEN OUTPUT (lm)	LUMINOUS EFFICACY (lm/w)	COLORS OPTIONS
10 WATT 220-240V 50-60HZ ELECTRONIC IP65 2,80 KG UNIT GROSS WEIGHT	HIGH-POWER LED	 3.000°K WARM-WHITE	 360°	600	60.00	 TEXTURED GREY




**603002 HYDROWAY MINI SQUARE LED**

680mm height bollard, square shape, for outdoor surface installation, 4x85° light emission, phospho-chromatised and polyester powder coated die-cast copper-free aluminium body, polycarbonate diffuser, moulded silicone gasket and stainless steel screws. Anchorage unit included- Built-in LED driver 220-240V 50-60Hz, with 4 CREE XP-E high-power LED. IP65 rating.

**Energy Label** **A++**

- Material: high corrosion resistance die-cast copper-free aluminum body
- Coating: polyester powder coating with phosphochromating pre-finish
- NR. 4 x 2W CREE "XP-E" LED
- Electronic transformer 220/240V 50/60Hz included
- Stainless steel screws
- Silicone rubber gasket
- Polycarbonate diffuser.
- Anchorage unit included.



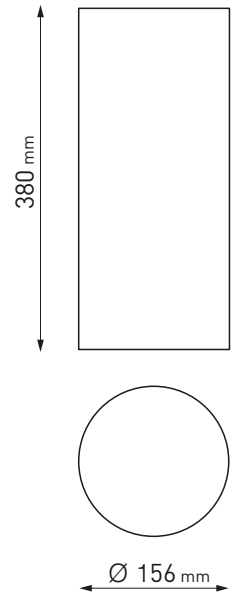
	LIGHT SOURCE	LED COLOR*	LIGHT BEAM OPTIONS	LUMEN OUTPUT (lm)	LUMINOUS EFFICACY (lm/w)	COLORS OPTIONS
10 WATT 220-240V 50-60HZ ELECTRONIC IP65 2,80 KG UNIT GROSS WEIGHT	HIGH-POWER LED	 3.000°K WARM-WHITE	 4 X 85°	600	60.00	 TEXTURED GREY




**603003 HYDROWAY MEDIUM 01 ROUND LED**

380mm height bollard, round shape, for outdoor surface installation, 360° light emission, phospho-chromatised and polyester powder coated die-cast copper-free aluminium body, polycarbonate diffuser, moulded silicone gasket and stainless steel screws. Anchorage bolts included- Built-in LED driver 220-240V 50-60Hz, with 8 CREE XP-E high-power LED. IP65 rating.

**Energy Label** A++

- Material: high corrosion resistance die-cast copper-free aluminum body and frame.
- Coating: polyester powder coating with phosphochromating pre-finish
- NR. 8 x 2.5 W CREE XP-E LED
- Electronic transformer 220/240V 50/60Hz included
- Stainless steel screws
- Silicone rubber gasket
- Polycarbonate diffuser
- Anchorage unit included



	LIGHT SOURCE	LED COLOR*	LIGHT BEAM OPTIONS	LUMEN OUTPUT (lm)	LUMINOUS EFFICACY (lm/w)	COLORS OPTIONS
20 WATT 220-240V 50-60HZ ELECTRONIC IP65 4,30 KG UNIT GROSS WEIGHT	HIGH-POWER LED	 3.000°K WARM-WHITE	 360°	1.200	60.00	 TEXTURED GREY

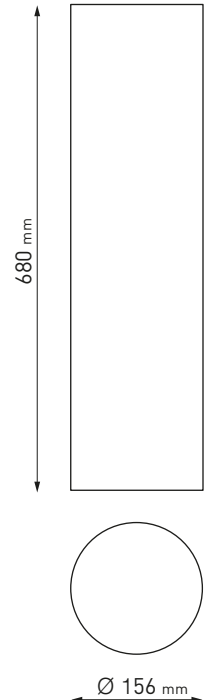





**603004 HYDROWAY MEDIUM 02 ROUND LED**

680mm height bollard, round shape, for outdoor surface installation, 360° light emission, phospho-chromatised and polyester powder coated die-cast copper-free aluminium body, polycarbonate diffuser, moulded silicone gasket and stainless steel screws. Anchorage bolts included- Built-in LED driver 220-240V 50-60Hz, with 8 CREE XP-E high-power LED. IP65 rating.

**Energy Label** A++

- Material: high corrosion resistance die-cast copper-free aluminum body and frame.
- Coating: polyester powder coating with phosphochromating pre-finish
- NR. 8 x 2.5 W CREE XP-E LED
- Electronic transformer 220/240V 50/60Hz included
- Stainless steel screws
- Silicone rubber gasket
- Polycarbonate diffuser
- Anchorage unit included

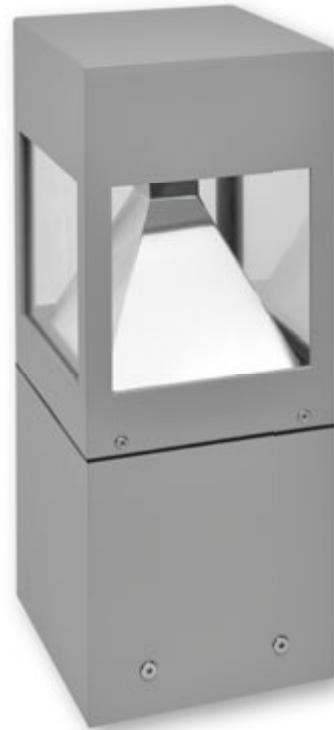


	LIGHT SOURCE	LED COLOR*	LIGHT BEAM OPTIONS	LUMEN OUTPUT (lm)	LUMINOUS EFFICACY (lm/w)	COLORS OPTIONS
20 WATT 220-240V 50-60HZ ELECTRONIC IP65 5,20 KG UNIT GROSS WEIGHT	HIGH-POWER LED	 3.000°K WARM-WHITE	 360°	1.200	60.00	 TEXTURED GREY



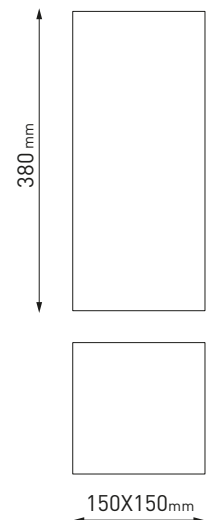
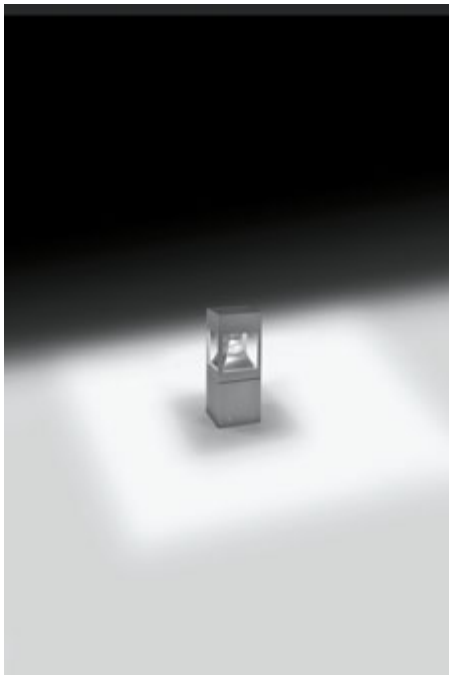
**603005 HYDROWAY MEDIUM 01 SQUARE LED**




380mm height bollard, square shape, for outdoor surface installation, 4x85° light emission, phospho-chromatised and polyester powder coated die-cast copper-free aluminium body, polycarbonate diffuser, moulded silicone gasket and stainless steel screws. Anchorage bolts included- Built-in LED driver 220-240V 50-60Hz, with 8 CREE XP-E high-power LED. IP65 rating.



**Energy Label** A++

- Material: high corrosion resistance die-cast copper-free aluminum body and frame.
- Coating: polyester powder coating with phosphochromating pre-finish
- NR. 8 x 2.5 W CREE XP-E LED
- Electronic transformer 220/240V 50/60Hz included
- Stainless steel screws
- Silicone rubber gasket
- Polycarbonate diffuser
- Anchorage unit included



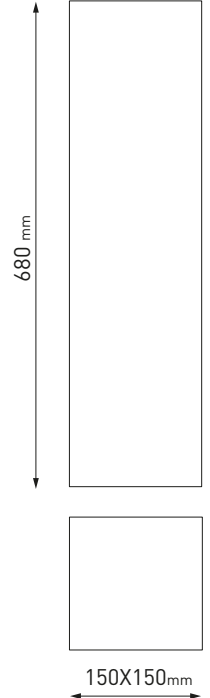
	LIGHT SOURCE	LED COLOR*	LIGHT BEAM OPTIONS	LUMEN OUTPUT (lm)	LUMINOUS EFFICACY (lm/w)	COLORS OPTIONS
20 WATT 220-240V 50-60HZ ELECTRONIC IP65 3,80 KG UNIT GROSS WEIGHT	HIGH-POWER LED	 3.000°K WARM-WHITE	 4 X 85°	1.200	60.00	 TEXTURED GREY




**603006 HYDROWAY MEDIUM 02 SQUARE LED**

680mm height bollard, square shape, for outdoor surface installation, 4x85° light emission, phospho-chromatised and polyester powder coated die-cast copper-free aluminium body, polycarbonate diffuser, moulded silicone gasket and stainless steel screws. Anchorage bolts included- Built-in LED driver 220-240V 50-60Hz, with 8 CREE XP-E high-power LED. IP65 rating.

**Energy Label** A++

- Material: high corrosion resistance die-cast copper-free aluminum body and frame.
- Coating: polyester powder coating with phosphochromating pre-finish
- NR. 8 x 2.5 W CREE XP-E LED
- Electronic transformer 220/240V 50/60Hz included
- Stainless steel screws
- Silicone rubber gasket
- Polycarbonate diffuser
- Anchorage unit included



	LIGHT SOURCE	LED COLOR*	LIGHT BEAM OPTIONS	LUMEN OUTPUT (lm)	LUMINOUS EFFICACY (lm/w)	COLORS OPTIONS
20 WATT 220-240V 50-60HZ ELECTRONIC IP65 5,20 KG UNIT GROSS WEIGHT	HIGH-POWER LED	 3.000°K WARM-WHITE	 4 X 85°	1.200	60.00	 TEXTURED GREY



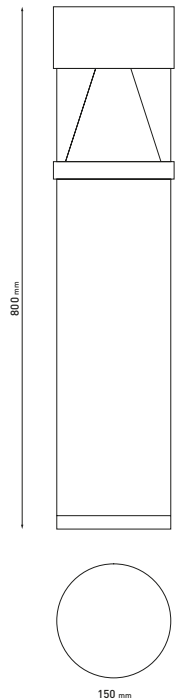
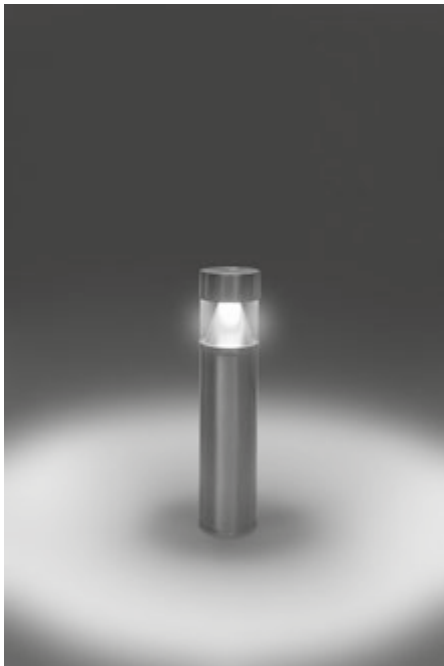
**601401 HYDROWAY MEDIUM STEEL ROUND LED**



700mm height bollard, round shape diam. 157 mm, for outdoor surface installation, 360° light emission, completely realized in stainless steel AISI 316L brushed finish, 4mm thick PMMA diffuser, moulded silicone gasket and stainless steel AISI 316 screws. Anchorage bolts included- Built-in LED driver 220-240V 50-60Hz, with 1 x CREE COB LED.

**Energy Label** A++

- Material: stainless steel AISI 316L
- NR. 1 x CREE COB LED
- Electronic transformer 220/240V 50/60Hz included
- Stainless steel screws
- Silicone rubber gasket
- Anchorage unit included



	LIGHT SOURCE	LED COLOR*	LIGHT BEAM OPTIONS	LUMEN OUTPUT (lm)	LUMINOUS EFFICACY (lm/w)	COLORS OPTIONS
15 WATT 220-240V 50-60HZ ELECTRONIC IP65 10,00 KG UNIT GROSS WEIGHT	COB LED	3.000°K WARM-WHITE	360°	900	60.00	STAINLESS STEEL

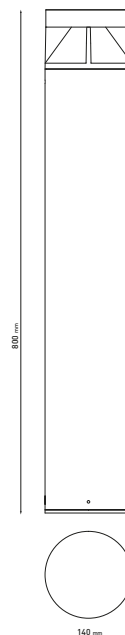





**601301 HYDROBULLET MINI LED** NEW

800mm height bollard, round shape diam. 140 mm, for outdoor surface installation, 360° light emission, phospho-chromatised and polyester powder coated die-cast copper-free aluminium body, polycarbonate diffuser, moulded silicone gasket and stainless steel screws. Anchorage bolts included- Built-in LED driver 220-240V 50-60Hz, with CREE LED.

**Energy Label** A++

- Material: high corrosion resistance die-cast copper-free aluminum body and frame.
- Coating: polyester powder coating with phosphochromating pre-finish
- Electronic transformer 220/240V 50/60Hz included
- Stainless steel screws
- Silicone rubber gasket
- Anchorage unit included



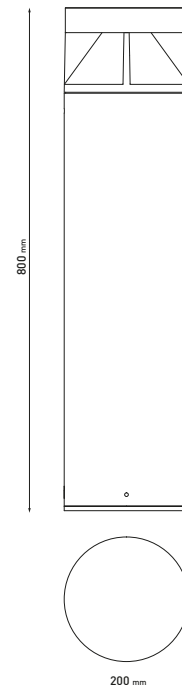
	LIGHT SOURCE	LED COLOR*	LIGHT BEAM OPTIONS	LUMEN OUTPUT (lm)	LUMINOUS EFFICACY (lm/w)	COLORS OPTIONS
12 WATT 220-240V 50-60HZ ELECTRONIC IP65 4,00 KG UNIT GROSS WEIGHT	MID-POWER LED	 3.000°K WARM-WHITE	 360°	888	74.00	 MATT BLACK




**601302 HYDROBULLET MEDIUM LED** NEW

800mm height bollard, round shape diam. 200 mm, for outdoor surface installation, 360° light emission, phospho-chromatised and polyester powder coated die-cast copper-free aluminium body, polycarbonate diffuser, moulded silicone gasket and stainless steel screws. Anchorage bolts included- Built-in LED driver 220-240V 50-60Hz, with CREE LED.

**Energy Label** A++

- Material: high corrosion resistance die-cast copper-free aluminum body and frame.
- Coating: polyester powder coating with phosphochromating pre-finish
- Electronic transformer 220/240V 50/60Hz included
- Stainless steel screws
- Silicone rubber gasket
- Anchorage unit included



	LIGHT SOURCE	LED COLOR*	LIGHT BEAM OPTIONS	LUMEN OUTPUT (lm)	LUMINOUS EFFICACY (lm/w)	COLORS OPTIONS
26 WATT 220-240V 50-60HZ ELECTRONIC IP65 6,00 KG UNIT GROSS WEIGHT	MID-POWER LED	 3.000°K WARM-WHITE	 360°	1.924	74.00	 MATT BLACK



### 604001 HYDROLANE ROUND 01 LED

600mm height bollard, round shape, for outdoor surface installation, 360° light emission, phospho-chromatised and polyester powder coated die-cast copper-free aluminum body, tempered safety glass, moulded silicone gasket and stainless steel screws. Built-in LED driver 220-240V 50-60Hz, with 2 x COB LED. IP65 rating.

#### Energy Label **A++**

- Material: high corrosion resistance die-cast copper-free aluminum body
- Coating: polyester powder coating with phosphocromating pre-finish
- NR. 2 x 5W COB LED
- Electronic transformer 220/240V 50/60Hz included
- Stainless steel screws
- Silicone rubber gasket
- Tempered safety glass.
- 1 mt. neoprene power cable included



	LIGHT SOURCE	LED COLOR*	LIGHT BEAM OPTIONS	LUMEN OUTPUT (lm)	LUMINOUS EFFICACY (lm/w)	COLORS OPTIONS
10 WATT 220-240V 50-60HZ ELECTRONIC IP65 2,60 KG UNIT GROSS WEIGHT	COB LED	3.000°K WARM-WHITE	360°	700	70.00	TEXTURED GREY

### 604002 HYDROLANE ROUND 02 LED

800mm height bollard, round shape, for outdoor surface installation, 360° light emission, phospho-chromatised and polyester powder coated die-cast copper-free aluminum body, tempered safety glass, moulded silicone gasket and stainless steel screws. Built-in LED driver 220-240V 50-60Hz, with 2 x COB LED. IP65 rating.

#### Energy Label **A++**

- Material: high corrosion resistance die-cast copper-free aluminum body
- Coating: polyester powder coating with phosphocromating pre-finish
- NR. 2 x 5W COB LED
- Electronic transformer 220/240V 50/60Hz included
- Stainless steel screws
- Silicone rubber gasket
- Tempered safety glass.
- 1 mt. neoprene power cable included



	LIGHT SOURCE	LED COLOR*	LIGHT BEAM OPTIONS	LUMEN OUTPUT (lm)	LUMINOUS EFFICACY (lm/w)	COLORS OPTIONS
10 WATT 220-240V 50-60HZ ELECTRONIC IP65 3,50 KG UNIT GROSS WEIGHT	COB LED	3.000°K WARM-WHITE	360°	700	70.00	TEXTURED GREY



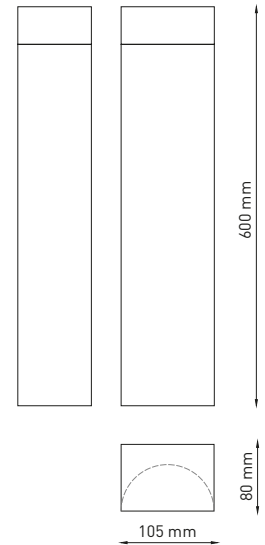





### 604003 HYDROLANE SQUARE 01 LED

600mm height bollard, square shape, for outdoor surface installation, 80° light emission, phospho-chromatised and polyester powder coated die-cast copper-free aluminum body, tempered safety glass, moulded silicone gasket and stainless steel screws. Built-in LED driver 220-240V 50-60Hz, with 1 x COB LED. IP65 rating.

#### Energy Label **A++**

- Material: high corrosion resistance die-cast copper-free aluminum body
- Coating: polyester powder coating with phosphochromating pre-finish
- NR. 1 x 5W COB LED
- Electronic transformer 220/240V 50/60Hz included
- Stainless steel screws
- Silicone rubber gasket
- Tempered safety glass.
- 1 mt. neoprene power cable included



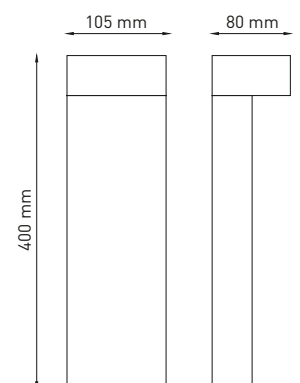
	LIGHT SOURCE	LED COLOR*	LIGHT BEAM OPTIONS	LUMEN OUTPUT (lm)	LUMINOUS EFFICACY (lm/w)	COLORS OPTIONS
5 WATT 220-240V 50-60HZ ELECTRONIC IP65 2,60 KG UNIT GROSS WEIGHT	COB LED	 3.000°K WARM-WHITE	 80°	350	70.00	 TEXTURED GREY




### 605001 HYDROSIDE 01 LED

400mm height bollard, square shape, for outdoor surface installation, 180° light emission, phospho-chromatised and polyester powder coated die-cast copper-free aluminum body, tempered safety glass, moulded silicone gasket and stainless steel screws. Built-in LED driver 220-240V 50-60Hz, with 1 x COB LED. IP65 rating.

#### Energy Label **A++**

- Material: high corrosion resistance die-cast copper-free aluminum body
- Coating: polyester powder coating with phosphochromating pre-finish
- NR. 1 x 5W COB LED
- Electronic transformer 220/240V 50/60Hz included
- Stainless steel screws
- Silicone rubber gasket
- Tempered safety glass.
- 1 mt. neoprene power cable included



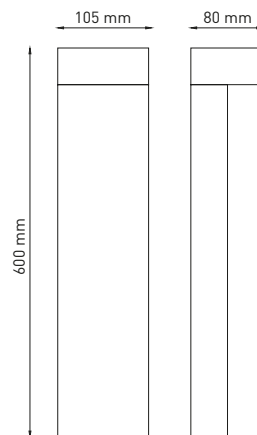
	LIGHT SOURCE	LED COLOR*	LIGHT BEAM OPTIONS	LUMEN OUTPUT (lm)	LUMINOUS EFFICACY (lm/w)	COLORS OPTIONS
5 WATT 220-240V 50-60HZ ELECTRONIC IP65 1,70 KG UNIT GROSS WEIGHT	COB LED	 3.000°K WARM-WHITE	 180°	350	70.00	 TEXTURED GREY




### 605002 HYDROSIDE 02 LED

600mm height bollard, square shape, for outdoor surface installation, 180° light emission, phospho-chromatised and polyester powder coated die-cast copper-free aluminum body, tempered safety glass, moulded silicone gasket and stainless steel screws. Built-in LED driver 220-240V 50-60Hz, with 1 x COB LED. IP65 rating.

#### Energy Label **A++**

- Material: high corrosion resistance die-cast copper-free aluminum body
- Coating: polyester powder coating with phosphochromating pre-finish
- NR. 1 x 5W COB LED
- Electronic transformer 220/240V 50/60Hz included
- Stainless steel screws
- Silicone rubber gasket
- Tempered safety glass.
- 1 mt. neoprene power cable included



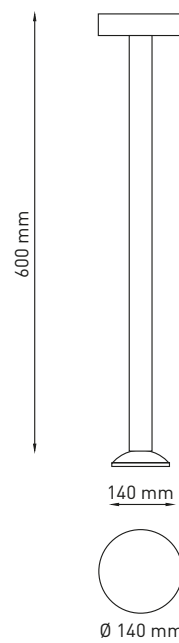
	LIGHT SOURCE	LED COLOR*	LIGHT BEAM OPTIONS	LUMEN OUTPUT (lm)	LUMINOUS EFFICACY (lm/w)	COLORS OPTIONS
5 WATT 220-240V 50-60HZ ELECTRONIC IP65 2,60 KG UNIT GROSS WEIGHT	COB LED	 3.000°K WARM-WHITE	 180°	350	70.00	 TEXTURED GREY




### 606001 HYDROPLATE 01 LED

600mm height bollard, round shape, for outdoor surface installation, 360° light emission, phospho-chromatised and polyester powder coated die-cast copper-free aluminum body, tempered safety glass, moulded silicone gasket and stainless steel screws. Built-in LED driver 220-240V 50-60Hz, with 2 x COB LED. IP65 rating.

#### Energy Label **A++**

- Material: high corrosion resistance die-cast copper-free aluminum body
- Coating: polyester powder coating with phosphochromating pre-finish
- NR. 2 x 5W COB LED
- Electronic transformer 220/240V 50/60Hz included
- Stainless steel screws
- Silicone rubber gasket
- Tempered safety glass.
- 1 mt. neoprene power cable included



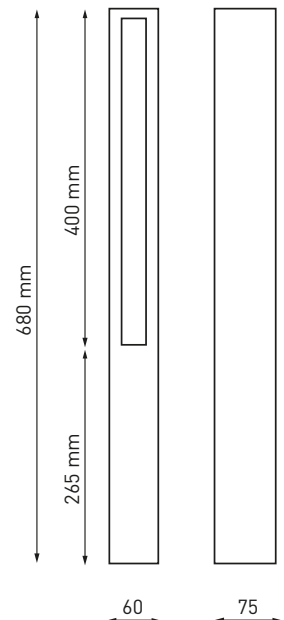
	LIGHT SOURCE	LED COLOR*	LIGHT BEAM OPTIONS	LUMEN OUTPUT (lm)	LUMINOUS EFFICACY (lm/w)	COLORS OPTIONS
10 WATT 220-240V 50-60HZ ELECTRONIC IP65 1,60 KG UNIT GROSS WEIGHT	COB LED	 3.000°K WARM-WHITE	 360°	700	70.00	 TEXTURED GREY

**601201 HYDROSTICK LED**

680mm height bollard, rectangular shape for outdoor surface installation, with 180° diffused light emission from one side, phospho-chromatised and polyester powder coated die-cast copper-free aluminum body, opaline PMMA diffuser, moulded silicone gasket and stainless steel screws. Built-in LED driver 220-240V 50-60Hz, with 48 low-power LED. Anchorage bolts included. IP65 rating.

**Energy Label** **A++**

- Material: high corrosion resistance die-cast copper-free aluminum body.
- Coating: polyester powder coating with phosphochromating pre-finish
- NR. 48 x low-power SMD3528 LED
- Electronic transformer 220/240V 50/60Hz included
- Stainless steel screws
- Silicone rubber gasket
- PMMA diffuser
- Anchorage unit included



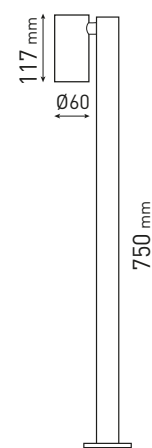
	LIGHT SOURCE	LED COLOR*	LIGHT BEAM OPTIONS	LUMEN OUTPUT (lm)	LUMINOUS EFFICACY (lm/w)	COLORS OPTIONS
6 WATT 220-240V 50-60HZ ELECTRONIC IP65 3,00 KG UNIT GROSS WEIGHT	LOW-POWER LED	3.000°K WARM-WHITE	180°	350	58.34	TEXTURED GREY




### 601101 HYDROSWING 01 LED

750mm height bollard, cylindrical shape with single lighting head, for outdoor surface installation, 30° light emission, realized in hard anodized copper-free aluminum, tempered safety glass, moulded silicone gasket and stainless steel screws. With 1 x COB LED, 24V DC remote driver needed. IP65 rating.




#### Energy Label **A++**

- Material: hard anodized copper-free aluminum.
- NR. 1 x COB LED
- 24V DC remote driver needed
- Stainless steel screws
- Silicone rubber gasket
- Tempered safety glass.



	LIGHT SOURCE	LED COLOR*	LIGHT BEAM OPTIONS	LUMEN OUTPUT (lm)	LUMINOUS EFFICACY (lm/w)	COLORS OPTIONS
9 WATT 24V DC IP65 2,00 KG UNIT GROSS WEIGHT	COB LED	 3.000°K WARM-WHITE	 30°	1.050	116.67	 SILVER GREY

#### REMOTE DRIVER SELECTION

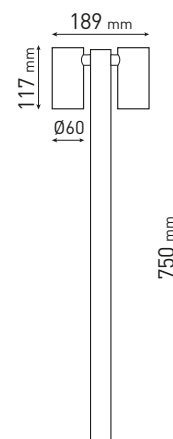
BRAND	MANUFACTURER CODE	TYPE	WATT	IP RATE	NUMBERS OF FIXTURES
 MEANWELL	LPV-20-24	CONSTANT VOLTAGE 24V DC	20W	IP67	MIN 1 - MAX 2
 MEANWELL	LPV-35-24	CONSTANT VOLTAGE 24V DC	35W	IP67	MIN 1 - MAX 3
 MEANWELL	LPV-60-24	CONSTANT VOLTAGE 24V DC	60W	IP67	MIN 1 - MAX 6




### 601102 HYDROSWING 02 LED

750mm height bollard, cylindrical shape with double lighting head, for outdoor surface installation, 2x30° light emission, realized in hard anodized copper-free aluminum, tempered safety glass, moulded silicone gasket and stainless steel screws. With 2 x COB LED, 24V DC remote driver needed. IP65 rating.




#### Energy Label **A++**

- Material: hard anodized copper-free aluminum.
- NR. 2 x COB LED
- 24V DC remote driver needed
- Stainless steel screws
- Silicone rubber gasket
- Tempered safety glass.



	LIGHT SOURCE	LED COLOR*	LIGHT BEAM OPTIONS	LUMEN OUTPUT (lm)	LUMINOUS EFFICACY (lm/w)	COLORS OPTIONS
2X9 WATT 24V DC IP65 2,50 KG UNIT GROSS WEIGHT	COB LED	 3.000°K WARM-WHITE	 2 X 30°	2 X 1.050	116.67	 SILVER GREY

#### REMOTE DRIVER SELECTION

BRAND	MANUFACTURER CODE	TYPE	WATT	IP RATE	NUMBERS OF FIXTURES
 MEANWELL	LPV-20-24	CONSTANT VOLTAGE 24V DC	20W	IP67	1
 MEANWELL	LPV-60-24	CONSTANT VOLTAGE 24V DC	60 W	IP67	MIN 1 - MAX 3
 MEANWELL	LPV-100-24	CONSTANT VOLTAGE 24V DC	100 W	IP67	MIN 1 - MAX 5



elia

TEMTEX Dress  
**Kungens Kurva**  
**shoppingcenter**

H&M  
KappAhl

KUNGENS KURVA  
VÄNAR KUNGENS KURVA



# Downlights



701000 HYDROCEILING

page. **296**



706000 HYDROTECH

page. **298**



707000 HYDROTECH STEEL

page. **306**



702000 HYDROSPOT

page. **307**



704000 ID SERIES

page. **309**



705000 OYSTER

page. **310**

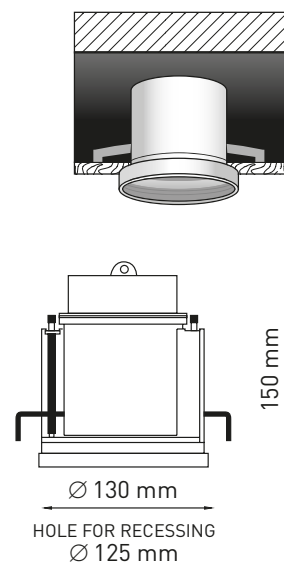


### 701005 HYDROCEILING MINI LED

Recessed luminaire for outdoor ceiling installation, phospho-chromatised and polyester powder coated die-cast copper-free aluminum body, tempered safety glass, moulded silicone gasket and stainless steel screws. Built-in LED driver 220-240V 50-60Hz, with 1 x COB LED. IP65 rating.

#### Energy Label **A++**

- Material: high corrosion resistance die-cast copper-free aluminum body
- Coating: polyester powder coating with phosphochromating pre-finish
- NR. 1 x 12W COB Bridgelux LED
- Electronic transformer 220/240V 50/60Hz included
- Stainless steel screws
- Silicone rubber gasket
- Tempered safety glass.
- 1 mt. neoprene power cable included



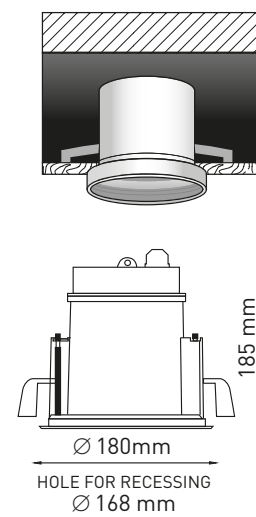
	LIGHT SOURCE	LED COLOR*	LIGHT BEAM OPTIONS	LUMEN OUTPUT (lm)	LUMINOUS EFFICACY (lm/w)	COLORS OPTIONS
12 WATT 220-240V 50-60HZ ELECTRONIC IP65 1,25 KG UNIT GROSS WEIGHT	COB LED	3.000°K WARM-WHITE	25°	900	75.00	MATT BLACK

### 701006 HYDROCEILING MEDIUM LED

Recessed luminaire for outdoor ceiling installation, phospho-chromatised and polyester powder coated die-cast copper-free aluminum body, tempered safety glass, moulded silicone gasket and stainless steel screws. Built-in LED driver 220-240V 50-60Hz, with 1 x COB LED. IP65 rating.

#### Energy Label **A++**

- Material: high corrosion resistance die-cast copper-free aluminum body
- Coating: polyester powder coating with phosphochromating pre-finish
- NR. 1 x 26W COB Bridgelux LED
- Electronic transformer 220/240V 50/60Hz included
- Stainless steel screws
- Silicone rubber gasket
- Tempered safety glass.
- 1 mt. neoprene power cable included



	LIGHT SOURCE	LED COLOR*	LIGHT BEAM OPTIONS	LUMEN OUTPUT (lm)	LUMINOUS EFFICACY (lm/w)	COLORS OPTIONS
26 WATT 220-240V 50-60HZ ELECTRONIC IP65 2,20 KG UNIT GROSS WEIGHT	COB LED	3.000°K WARM-WHITE	30°	2.745	105.58	MATT BLACK

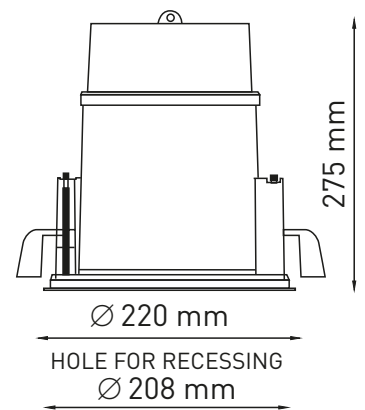
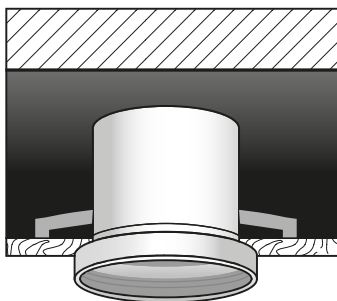





**701007 HYDROCEILING MAXI LED**

Recessed luminaire for outdoor ceiling installation, phospho-chromatised and polyester powder coated die-cast copper-free aluminum body, tempered safety glass, moulded silicone gasket and stainless steel screws. Built-in LED driver 220-240V 50-60Hz, with 1 x COB LED. IP65 rating.

**Energy Label** A++

- Material: high corrosion resistance die-cast copper-free aluminum body
- Coating: polyester powder coating with phosphochromating pre-finish
- NR. 1 x 50W COB Bridgelux LED
- Electronic transformer 220/240V 50/60Hz included
- Stainless steel screws
- Silicone rubber gasket
- Tempered safety glass.
- 1 mt. neoprene power cable included



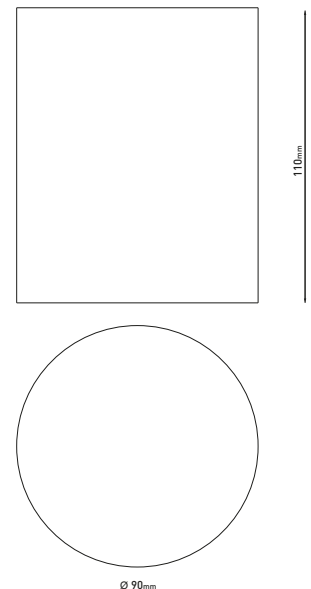
	LIGHT SOURCE	LED COLOR*	LIGHT BEAM OPTIONS	LUMEN OUTPUT (lm)	LUMINOUS EFFICACY (lm/w)	COLORS OPTIONS
50 WATT 220-240V 50-60HZ ELECTRONIC IP65 3,45 KG UNIT GROSS WEIGHT	COB LED	 3.000°K WARM-WHITE	 30°	4.240	84.80	 MATT BLACK




**706008 HYDROTECH MINI COMPACT 03 ROUND LED** 

Round downlight for outdoor surface installation on the ceiling, phospho-chromatised and polyester powder coated die-cast copper-free aluminium body, tempered safety glass, moulded silicone gasket and stainless steel screws. Built-in LED driver 220-240V 50-60Hz, with 1 x COB "CXA 1507" CREE LED. IP65 rating.

**Energy Label** 

- Material: high corrosion resistance die-cast copper-free aluminum body
- Coating: polyester powder coating with phosphochromating pre-finish
- NR. 1 x 9W COB CREE "CXA 1507" LED
- Electronic transformer 220/240V 50/60Hz included
- Stainless steel screws
- Silicone rubber gasket
- Tempered safety glass.
- 0.5 mt. neoprene power cable included



	LIGHT SOURCE	LED COLOR*	LIGHT BEAM OPTIONS	LUMEN OUTPUT (lm)	LUMINOUS EFFICACY (lm/w)	COLORS OPTIONS
9 WATT 220-240V 50-60HZ ELECTRONIC IP65 0,90 KG UNIT GROSS WEIGHT	COB LED	 3.000°K WARM-WHITE	 30°	642	71.33	 TEXTURED GREY

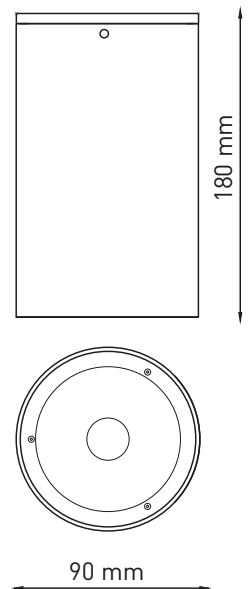
**706004 HYDROTECH MINI 03 ROUND LED**




Round downlight for outdoor surface installation on the ceiling, phospho-chromatised and polyester powder coated die-cast copper-free aluminium body, tempered safety glass, moulded silicone gasket and stainless steel screws. Built-in LED driver 220-240V 50-60Hz, with 1 x COB "CXA 1512" CREE LED. IP65 rating.



**Energy Label** **A++**

- Material: high corrosion resistance die-cast copper-free aluminum body
- Coating: polyester powder coating with phosphochromating pre-finish
- NR. 1 x 13W COB CREE "CXA 1512" LED
- Electronic transformer 220/240V 50/60Hz included
- Stainless steel screws
- Silicone rubber gasket
- Tempered safety glass.
- 0.5 mt. neoprene power cable included



	LIGHT SOURCE	LED COLOR*	LIGHT BEAM OPTIONS	LUMEN OUTPUT (lm)	LUMINOUS EFFICACY (lm/w)	COLORS OPTIONS
13 WATT 220-240V 50-60HZ ELECTRONIC IP65 0,95 KG UNIT GROSS WEIGHT	COB LED	 3.000°K WARM-WHITE	 30°	1.290	99.23	 TEXTURED GREY

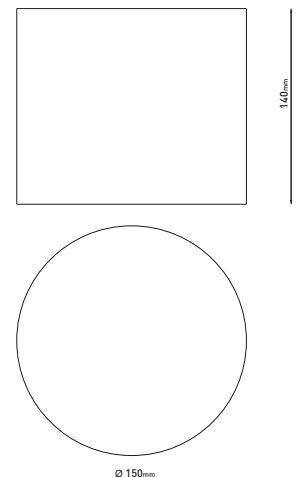
**706009 HYDROTECH MEDIUM COMPACT 03 ROUND LED**



Round downlight for outdoor surface installation on the ceiling, phosphochromatised and polyester powder coated die-cast copper-free aluminium body, tempered safety glass, moulded silicone gasket and stainless steel screws. Built-in LED driver 220-240V 50-60Hz, with 1 x COB "CXA 2520" CREE LED. IP65 rating.

**Energy Label** **A++**

- Material: high corrosion resistance die-cast copper-free aluminum body
- Coating: polyester powder coating with phosphochromating pre-finish
- NR. 1 x 20W COB CREE "CXA 2520" LED
- Electronic transformer 220/240V 50/60Hz included
- Stainless steel screws
- Silicone rubber gasket
- Tempered safety glass.
- 0.5 mt. neoprene power cable included



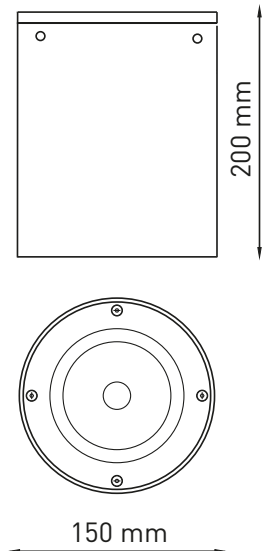
	LIGHT SOURCE	LED COLOR*	LIGHT BEAM OPTIONS	LUMEN OUTPUT (lm)	LUMINOUS EFFICACY (lm/w)	COLORS OPTIONS
20 WATT 220-240V 50-60HZ ELECTRONIC IP65 2,00 KG UNIT GROSS WEIGHT	COB LED	3.000°K WARM-WHITE	30°	1.560	78.00	TEXTURED GREY




**706005 HYDROTECH MEDIUM 03 ROUND LED**

Round downlight for outdoor surface installation on the ceiling, phospho-chromatised and polyester powder coated die-cast copper-free aluminium body, tempered safety glass, moulded silicone gasket and stainless steel screws. Built-in LED driver 220-240V 50-60Hz, with 1 x COB "CXA 2520" CREE LED. IP65 rating.

**Energy Label** **A++**

- Material: high corrosion resistance die-cast copper-free aluminum body
- Coating: polyester powder coating with phosphochromating pre-finish
- NR. 1 x 26W COB CREE "CXA 2520" LED
- Electronic transformer 220/240V 50/60Hz included
- Stainless steel screws
- Silicone rubber gasket
- Tempered safety glass.
- 0.5 mt. neoprene power cable included



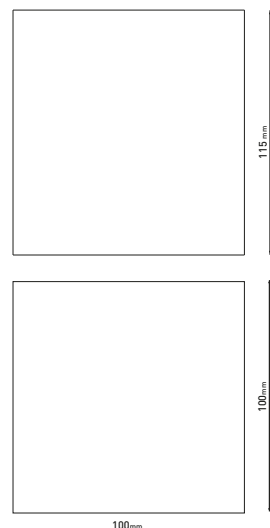
	LIGHT SOURCE	LED COLOR*	LIGHT BEAM OPTIONS	LUMEN OUTPUT (lm)	LUMINOUS EFFICACY (lm/w)	COLORS OPTIONS
26 WATT 220-240V 50-60HZ ELECTRONIC IP65 2,30 KG UNIT GROSS WEIGHT	COB LED	 3.000°K WARM-WHITE	 30°	2.500	96.15	 TEXTURED GREY

**706010 HYDROTECH MINI COMPACT 03 SQUARE LED** **NEW**

Square downlight for outdoor surface installation on the ceiling, phospho-chromatised and polyester powder coated die-cast copper-free aluminium body, tempered safety glass, moulded silicone gasket and stainless steel screws. Built-in LED driver 220-240V 50-60Hz, with 1 x COB "CXA 1507" CREE LED. IP65 rating.

**Energy Label** **A++**

- Material: high corrosion resistance die-cast copper-free aluminum body
- Coating: polyester powder coating with phosphochromating pre-finish
- NR. 1 x 9W COB CREE "CXA 1507" LED
- Electronic transformer 220/240V 50/60Hz included
- Stainless steel screws
- Silicone rubber gasket
- Tempered safety glass.
- 0.5 mt. neoprene power cable included



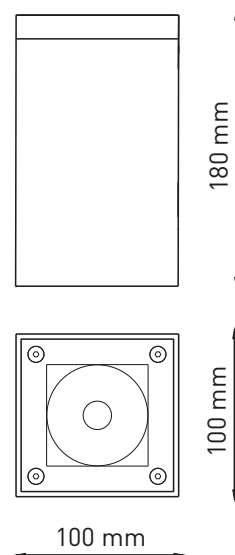
	LIGHT SOURCE	LED COLOR*	LIGHT BEAM OPTIONS	LUMEN OUTPUT (lm)	LUMINOUS EFFICACY (lm/w)	COLORS OPTIONS
9 WATT 220-240V 50-60HZ ELECTRONIC IP65 1,00 KG UNIT GROSS WEIGHT	COB LED	3.000°K WARM-WHITE	30°	637	70.77	TEXTURED GREY




**706006 HYDROTECH MINI 03 SQUARE LED**

Square downlight for outdoor surface installation on the ceiling, phospho-chromatised and polyester powder coated die-cast copper-free aluminium body, tempered safety glass, moulded silicone gasket and stainless steel screws. Built-in LED driver 220-240V 50-60Hz, with 1 x COB "CXA 1512" CREE LED. IP65 rating.

**Energy Label** **A++**

- Material: high corrosion resistance die-cast copper-free aluminum body
- Coating: polyester powder coating with phosphochromating pre-finish
- NR. 1 x 13W COB CREE "CXA 1512" LED
- Electronic transformer 220/240V 50/60Hz included
- Stainless steel screws
- Silicone rubber gasket
- Tempered safety glass.
- 0.5 mt. neoprene power cable included



	LIGHT SOURCE	LED COLOR*	LIGHT BEAM OPTIONS	LUMEN OUTPUT (lm)	LUMINOUS EFFICACY (lm/w)	COLORS OPTIONS
13 WATT 220-240V 50-60HZ ELECTRONIC IP65 1,15 KG UNIT GROSS WEIGHT	COB LED	 3.000°K WARM-WHITE	 30°	1.290	99.23	 TEXTURED GREY

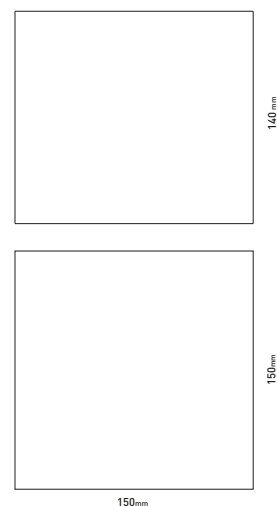
**706011 HYDROTECH MEDIUM COMPACT 03 SQUARE LED**



Square downlight for outdoor surface installation on the ceiling, phosphochromatised and polyester powder coated die-cast copper-free aluminium body, tempered safety glass, moulded silicone gasket and stainless steel screws. Built-in LED driver 220-240V 50-60Hz, with 1 x COB "CXA 2520" CREE LED. IP65 rating.

**Energy Label** A++

- Material: high corrosion resistance die-cast copper-free aluminum body
- Coating: polyester powder coating with phosphochromating pre-finish
- NR. 1 x 20W COB CREE "CXA 2520" LED
- Electronic transformer 220/240V 50/60Hz included
- Stainless steel screws
- Silicone rubber gasket
- Tempered safety glass.
- 0.5 mt. neoprene power cable included



	LIGHT SOURCE	LED COLOR*	LIGHT BEAM OPTIONS	LUMEN OUTPUT (lm)	LUMINOUS EFFICACY (lm/w)	COLORS OPTIONS
20 WATT 220-240V 50-60HZ ELECTRONIC IP65 2,00 KG UNIT GROSS WEIGHT	COB LED	3.000°K WARM-WHITE	30°	1.539	76.95	TEXTURED GREY

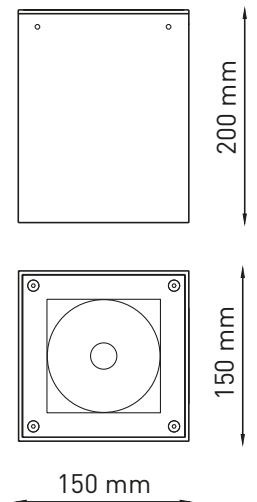





**706007 HYDROTECH MEDIUM 03 SQUARE LED**

Square downlight for outdoor surface installation on the ceiling, phospho-chromatised and polyester powder coated die-cast copper-free aluminium body, tempered safety glass, moulded silicone gasket and stainless steel screws. Built-in LED driver 220-240V 50-60Hz, with 1 x COB "CXA 2520" CREE LED. IP65 rating.

**Energy Label** **A++**

- Material: high corrosion resistance die-cast copper-free aluminum body
- Coating: polyester powder coating with phosphochromating pre-finish
- NR. 1 x 26W COB CREE "CXA 2520" LED
- Electronic transformer 220/240V 50/60Hz included
- Stainless steel screws
- Silicone rubber gasket
- Tempered safety glass.
- 0.5 mt. neoprene power cable included



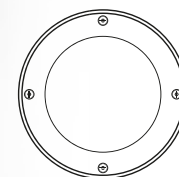
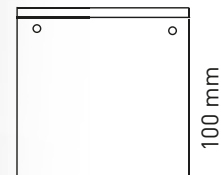
	LIGHT SOURCE	LED COLOR*	LIGHT BEAM OPTIONS	LUMEN OUTPUT (lm)	LUMINOUS EFFICACY (lm/w)	COLORS OPTIONS
26 WATT 220-240V 50-60HZ ELECTRONIC IP65 2,50 KG UNIT GROSS WEIGHT	COB LED	 3.000°K WARM-WHITE	 30°	2.500	96.15	 TEXTURED GREY

### 707001 HYDROTECH MINI STEEL ROUND 03 LED




Round downlight for outdoor surface installation on the ceiling, luminaire body completely realized in mirrored stainless steel AISI 316L, tempered safety glass, moulded silicone gasket and stainless steel screws. Built-in LED driver 220-240V 50-60Hz, with 1 x COB CREE LED. IP65 rating.

#### Energy Label **A++**

- Mirrored stainless steel AISI 316L
- NR. 1 x 5W CREE COB LED
- Electronic transformer 220/240V 50/60Hz included
- Stainless steel screws
- Silicone rubber gasket
- Tempered safety glass.
- 0.3 mt. neoprene power cable included



Ø100 mm

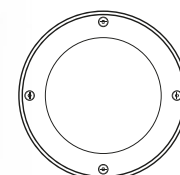
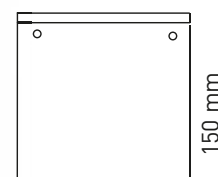
	LIGHT SOURCE	LED COLOR*	LIGHT BEAM OPTIONS	LUMEN OUTPUT (lm)	LUMINOUS EFFICACY (lm/w)	COLORS OPTIONS
5 WATT 220-240V 50-60HZ ELECTRONIC IP65 1,50 KG UNIT GROSS WEIGHT	COB LED	 3.000°K WARM-WHITE	 30°	480	96.00	 MIRRORED STAINLESS STEEL

### 707002 HYDROTECH MEDIUM STEEL ROUND 03 LED




Round downlight for outdoor surface installation on the ceiling, luminaire body completely realized in mirrored stainless steel AISI 316L, tempered safety glass, moulded silicone gasket and stainless steel screws. Built-in LED driver 220-240V 50-60Hz, with 1 x COB CREE LED. IP65 rating.

#### Energy Label **A++**

- Mirrored stainless steel AISI 316L
- NR. 1 x 12W CREE COB LED
- Electronic transformer 220/240V 50/60Hz included
- Stainless steel screws
- Silicone rubber gasket
- Tempered safety glass.
- 0.3 mt. neoprene power cable included



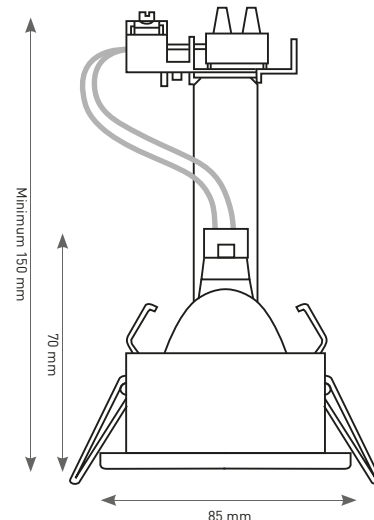
Ø150 mm



	LIGHT SOURCE	LED COLOR*	LIGHT BEAM OPTIONS	LUMEN OUTPUT (lm)	LUMINOUS EFFICACY (lm/w)	COLORS OPTIONS
12 WATT 220-240V 50-60HZ ELECTRONIC IP65 3,00 KG UNIT GROSS WEIGHT	COB LED	 3.000°K WARM-WHITE	 30°	960	80.00	 MIRRORED STAINLESS STEEL

**702002 HYDROSPOT STEEL**

Completely made of massive Stainless Steel.  
Ideal for use in Saunas, Spas Hammam,  
Swimming pool areas,  
Fitness Centers and all wet recreational areas  
both Indoor and Outdoor.

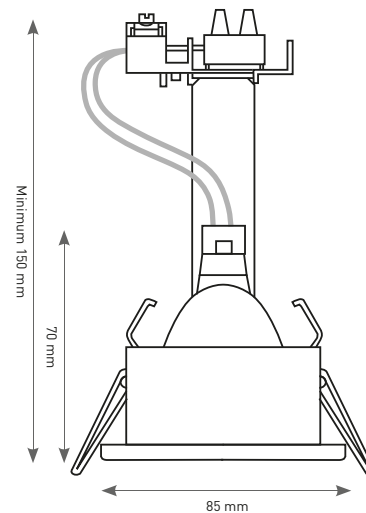
- Protection class IP65
- Stainless steel body
- Stainless steel ring
- Stainless steel bracket
- Silicon rubber gaskets
- Tempered safety glass
- Inox aisi 304










	LIGHT SOURCE	LIGHT COLOR	LIGHT BEAM OPTIONS	COLORS OPTIONS
MAX 50 WATT 220-240V 50-60HZ ELECTRONIC IP65 0,50 KG UNIT GROSS WEIGHT	 QPAR16 OR GU 10 L.E.D.	SEE BULB FEATURES	SEE BULB FEATURES	 STAINLESS STEEL AISI 304

**702005 HYDROSPOT 01**

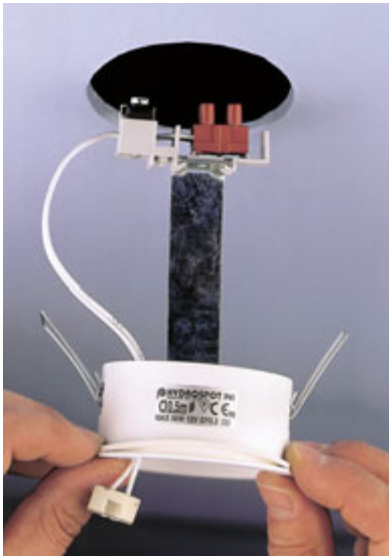
- Die-cast aluminium
- Water-proof IP65
- Dust proof



	LIGHT SOURCE	LIGHT COLOR	LIGHT BEAM OPTIONS	COLORS OPTIONS
MAX 50 WATT 220-240V 50-60HZ ELECTRONIC IP65 0,50 KG UNIT GROSS WEIGHT	 QPAR16 OR GU 10 L.E.D.	SEE BULB FEATURES	SEE BULB FEATURES	 CHROME  SATIN ZAPON  TEXTURE  GOLD  MATT WHITE  MATT BLACK

**702004 HYDROSPOT OYSTER**

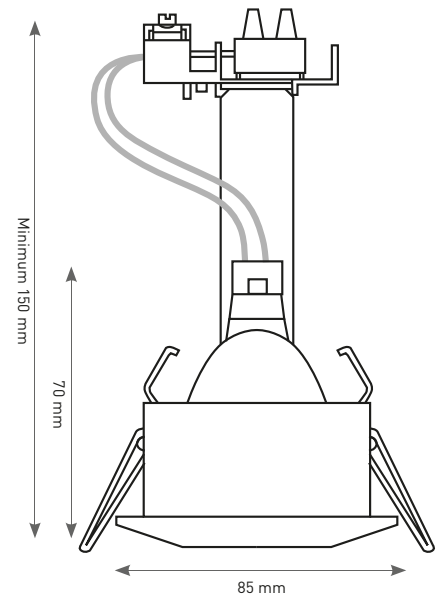
- Die-cast aluminium
- Water-proof IP66
- Dust proof










EASY INSTALLATION



EASY RELAMPING AND MAINTENANCE



	LIGHT SOURCE	LIGHT COLOR	LIGHT BEAM OPTIONS	COLORS OPTIONS
<p>MAX 50 WATT 220-240V 50-60HZ ELECTRONIC IP65 0,50 KG UNIT GROSS WEIGHT</p>	 <p>QPAR16 OR GU 10 L.E.D.</p>	<p>SEE BULB FEATURES</p>	<p>SEE BULB FEATURES</p>	<p>  CHROME     SATIN ZAPON   TEXTURE     GOLD   MATT WHITE   MATT BLACK                 </p>

**704001 ID02 STANDARD**

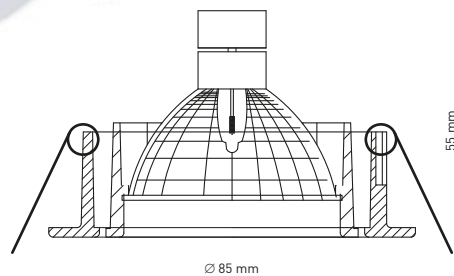
- Die-cast
- See bulb features



CHROME VERSION



AC020 - PUKSTOP



50 WATT MAX  
MR16 - BASE GU5,3  
12 VOLTS - IP20  
0,2 KG UNIT GROSS WEIGHT

LIGHT SOURCE	LIGHT COLOR	LIGHT BEAM OPTIONS	COLORS OPTIONS
MR16 - BASE GU5,3	SEE BULB FEATURES	SEE BULB FEATURES	<ul style="list-style-type: none"> <li> CHROME</li> <li> ZAPON SATIN</li> <li> TEXTURE</li> <li> MATT WHITE</li> <li> MATT BLACK</li> </ul>

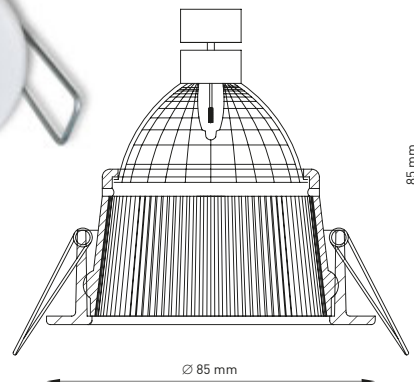
**704002 ID5 PLUS STANDARD**

- Die-cast
- See bulb features



THE **DARK-LIGHT** TECHNIQUE IS RELATED TO THE CUT-OFF ANGLE OF THE LAMPS AND THE REFLECTOR. THIS METHOD PROVIDES HIGH VISUAL COMFORT BY DECREASING THE DIRECT GLARE ON OBJECTS AND INSTALLATIONS, THUS

TAKING THE MAXIMUM RENDERING ADVANTAGE OF THE LIGHT. PRODUCING A RESULT ON WHICH IT IS POSSIBLE TO OBTAIN THE BEST LIGHTING OUTPUT WITHOUT SEEING THE ELEMENT THAT PRODUCES IT. CUT-OFF IS THE ANGLE FORMED BETWEEN THE CEILING (HORIZONTAL) AND AN IMAGINARY STRAIGHT LINE THAT IS TANGENT TO THE LAMP AND PASSES BY THE EDGE OF THE REFLECTOR. IF OUR VISUAL FIELD IS POSITIONED WITHIN THIS ANGLE, IT IS IMPOSSIBLE TO SEE THE LAMP IN FUNCTION. DOWN-LIGHTS SUPPLIED WITH INTEGRATED CELL-DIFFUSERS PRODUCE THE SAME EFFECT AS ANTI-GLARE LOUVERS AND CAN HAVE AN IMPORTANT BEARING ON DIRECT GLARE. AS A RESULT OF THIS, THE VISUAL COMFORT INCREASES AND MAKES IT MOST SUITABLE TO USE IN WORK AREAS WITH COMPUTER-SCREENS, SUBSTANTIALLY REDUCING THE DISABILITY GLARE THAT USUALLY REFLECTS ON THE SAME.



20/35/50 WATT  
MR16 - BASE GU5,3  
12 VOLTS - IP44  
0,3 KG UNIT GROSS WEIGHT

LIGHT SOURCE	LIGHT COLOR	LIGHT BEAM OPTIONS	COLORS OPTIONS
MR16 - BASE GU5,3	SEE BULB FEATURES	SEE BULB FEATURES	<ul style="list-style-type: none"> <li> TEXTURED GREY</li> <li> MATT WHITE</li> <li> MATT BLACK</li> </ul>

**705001 OYSTER 01**

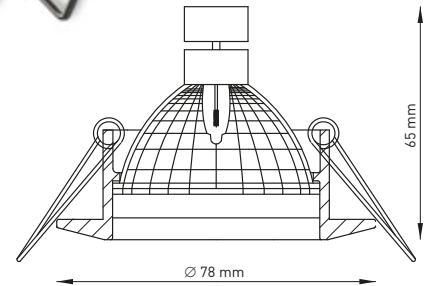
- Die-cast
- See bulb features









ZAPONATO SATIN VERSION



63 mm



	LIGHT SOURCE	LIGHT COLOR	LIGHT BEAM OPTIONS	COLORS OPTIONS
20/50 WATT MR16 - BASE GU5,3 12 VOLTS - IP20 0,2 KG UNIT GROSS WEIGHT	 MR16 - BASE GU5,3	SEE BULB FEATURES	SEE BULB FEATURES	<ul style="list-style-type: none"> <li> CHROME</li> <li> ZAPONATO SATIN</li> <li> TEXTURE</li> <li> MATT WHITE</li> <li> MATT BLACK</li> </ul>

**705002 OSYTER 02**

- Die-cast
- See bulb features



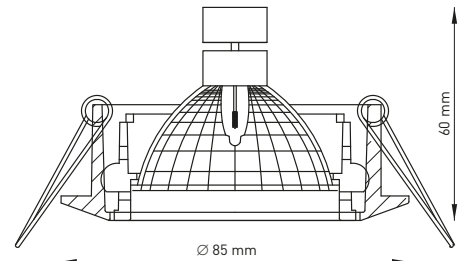
CHROME VERSION









75 mm



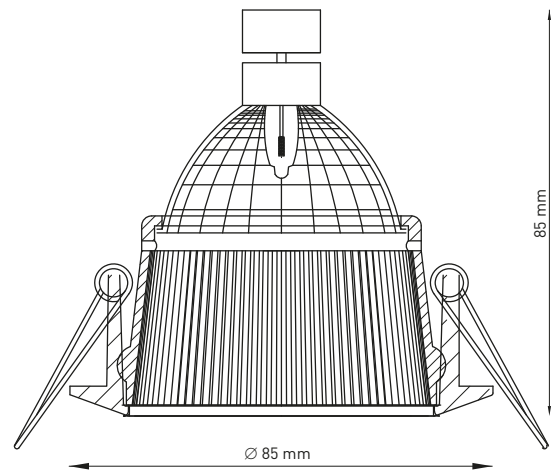
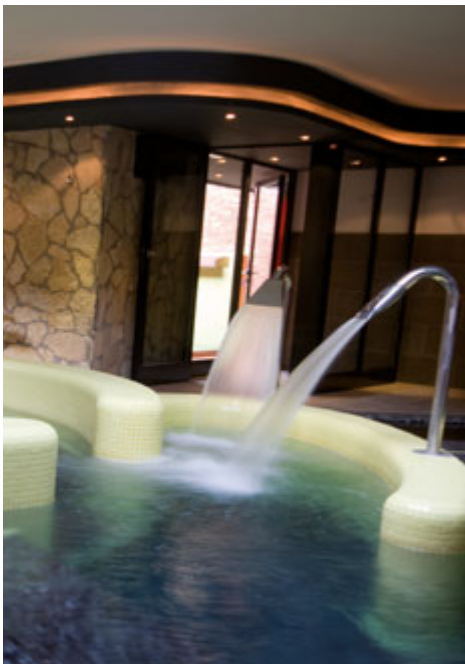
MOVABLE  
+15° ← → -15°




	LIGHT SOURCE	LIGHT COLOR	LIGHT BEAM OPTIONS	COLORS OPTIONS
20/35/50 WATT MR16 - BASE GU5,3 12 VOLTS - IP20 0,2 KG UNIT GROSS WEIGHT	 MR16 - BASE GU5,3	SEE BULB FEATURES	SEE BULB FEATURES	<ul style="list-style-type: none"> <li> CHROME</li> <li> ZAPONATO SATIN</li> <li> TEXTURE</li> <li> MATT WHITE</li> <li> MATT BLACK</li> </ul>

**705005 OYSTER 05 PLUS**

- Die-cast
- See bulb features



	LIGHT SOURCE	LIGHT COLOR	LIGHT BEAM OPTIONS	COLORS OPTIONS
20/35/50 WATT MR16 - BASE GU5,3 12 VOLTS - IP44 0,3 KG UNIT GROSS WEIGHT	 MR16 - BASE GU5,3	SEE BULB FEATURES	SEE BULB FEATURES	■ TEXTURED GREY □ MATT WHITE ■ MATT BLACK

p.uk.®







# Urban lights



802000 HYDROCITY

page. **314**



803000 HYDROBOOK POLE-TOP

page. **328**



804000 HYDROTECH POLE-TOP

page. **336**



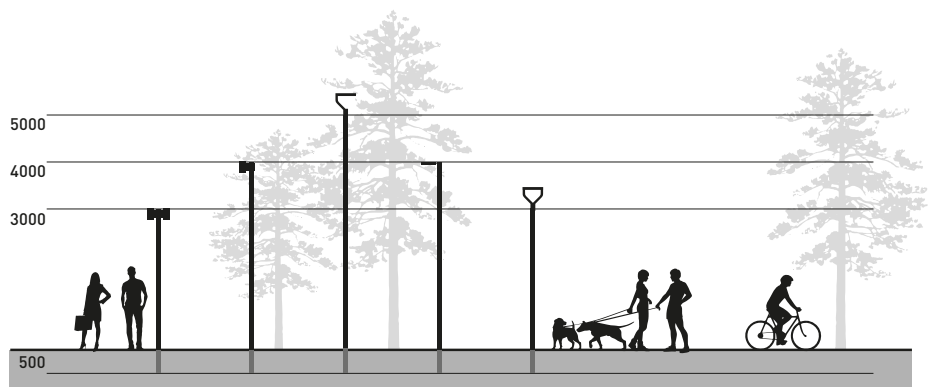
805000 HYDROFLASH POLE-TOP

page. **348**



809900 POLES & ACCESSORIES

page. **364**

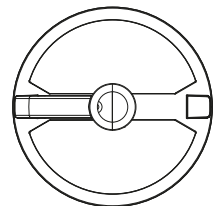


**802001-02 HYDROCITY 01 LED**

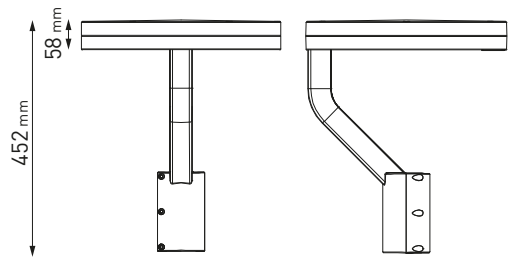
Round pole-top mounted luminaire for outdoor installation on a pole diam. 60 mm, single supporting arm, with downward light distribution. Phosphochromatised and polyester powder coated die-cast copper-free aluminium body, tempered safety glass, moulded silicone gasket and stainless steel screws. Built-in LED driver/s, with number of LEDs from 24 to 48 CREE XP-G3 LED. IP66 rating.

**Energy Label** A++

- Material: high corrosion resistance die-cast copper-free aluminum body
- Coating: polyester powder coating with phosphochromating pre-finish
- NR. 24 -> 48 x 1.5W CREE "XP-G3" LED
- Electronic transformer 220/240V 50/60Hz included
- Stainless steel screws
- Silicone rubber gasket
- Tempered safety glass.
- 3 m neoprene power cable included



Ø 390 mm



**AVAILABLE OPTICS:**



ROTSYMMETRICAL



CYCLE ROUTE / PEDESTRIAN



STREET



802001	HYDROCITY 01 12+12	LIGHT SOURCE	LED COLOR*	LIGHT BEAM OPTIONS	LUMEN OUTPUT (lm)	LUMINOUS EFFICACY (lm/w)	COLORS OPTIONS
36 WATT 220-240V 50-60HZ ELECTRONIC IP66 6,10 KG UNIT GROSS WEIGHT		HIGH-POWER LED	3.000°K WARM-WHITE	ROTOSYMMETRICAL	3.456	96.00	<ul style="list-style-type: none"> <li> TEXTURED GREY</li> <li> MATT WHITE (ON REQUEST)</li> <li> MATT BLACK (ON REQUEST)</li> </ul>
				CYCLE ROUTE PEDESTRIAN			
				STREET			

\* OTHER LIGHT COLORS AVAILABLE ON REQUEST: ○ 4.000°K NEUTRAL-WHITE, ● BLUE

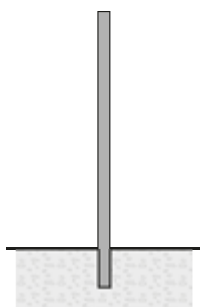


802002	HYDROCITY 01 24+24	LIGHT SOURCE	LED COLOR*	LIGHT BEAM OPTIONS	LUMEN OUTPUT (lm)	LUMINOUS EFFICACY (lm/w)	COLORS OPTIONS
72 WATT 220-240V 50-60HZ ELECTRONIC IP66 6,10 KG UNIT GROSS WEIGHT		HIGH-POWER LED	3.000°K WARM-WHITE	ROTOSYMMETRICAL	6.912	96.00	<ul style="list-style-type: none"> <li> TEXTURED GREY</li> <li> MATT WHITE (ON REQUEST)</li> <li> MATT BLACK (ON REQUEST)</li> </ul>
				CYCLE ROUTE PEDESTRIAN			
				STREET			

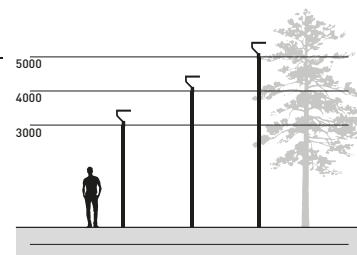
\* OTHER LIGHT COLORS AVAILABLE ON REQUEST: ○ 4.000°K NEUTRAL-WHITE, ● BLUE

## POLES & ACCESSORIES

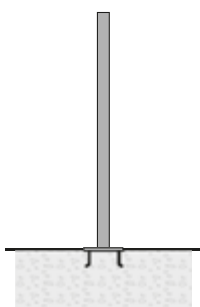
### BURIED POLES



CODE	ARTICLE	HEIGHT MM.	DESCRIPTION
809901	CYLINDRICAL POLE 3,5 METERS TO BE BURIED	3.500	Cylindrical pole made in steel S235JR (UNI EN 10219) hot galvanized (UNI EN 1461), <b>diameter 76 mm, thickness 4 mm.</b> Phospho-chromatised and polyester powder coated. <b>Total height including 500 mm to be buried into the ground.</b> Includes IP54 cover plate 132x38 mm and terminal block in double insulation.
809902	CYLINDRICAL POLE 4,5 METERS TO BE BURIED	4.500	
809903	CYLINDRICAL POLE 5,5 METERS TO BE BURIED	5.500	
809908	ADAPTER DIAM. 76MM → 60MM		Adapter for pole diam. 76 mm, allow the diameter reduction to 60 mm



### POLES WITH BASE-PLATE



CODE	ARTICLE	HEIGHT MM.	DESCRIPTION
809904	CYLINDRICAL POLE 3 METERS WITH BASE-PLATE	3.000	Cylindrical pole made in steel S235JR (UNI EN 10219) hot galvanized (UNI EN 1461), <b>diameter 76 mm, thickness 4 mm.</b> Phospho-chromatised and polyester powder coated. <b>With base plate dim. 250x250 mm, thickness 10 mm</b> Includes IP54 cover plate 132x38 mm and terminal block in double insulation.
809905	CYLINDRICAL POLE 4 METERS WITH BASE-PLATE	4.000	
809906	CYLINDRICAL POLE 5 METERS WITH BASE-PLATE	5.000	
809907	ANCHORAGE UNIT FOR BASE-PLATE		<b>Base plate dim. 250x250 mm, thickness 3 mm,</b> made in galvanized steel complete of nr. 4 anchorage threaded bolts
809908	ADAPTER DIAM. 76MM → 60MM		Adapter for pole diam. 76 mm, allow the diameter reduction to 60 mm



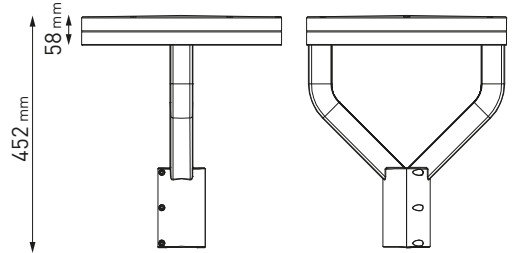
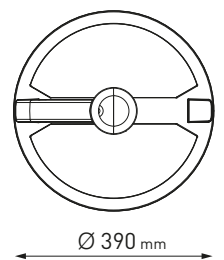


**802003..07 HYDROCITY 02 LED**

Round pole-top mounted luminaire for outdoor installation on a pole diam. 60 mm, double supporting arm, with downward light distribution. Phosphochromatised and polyester powder coated die-cast copper-free aluminium body, tempered safety glass, moulded silicone gasket and stainless steel screws. Built-in LED driver/s, with number of LEDs from 12 to 48 CREE XP-G3 LED. IP66 rating.

**Energy Label** A++

- Material: high corrosion resistance die-cast copper-free aluminum body
- Coating: polyester powder coating with phosphochromating pre-finish
- NR. 12 -> 48 x 1.5W CREE "XP-G3" LED
- Electronic transformer 220/240V 50/60Hz included
- Stainless steel screws
- Silicone rubber gasket
- Tempered safety glass.
- 3 m neoprene power cable included



**AVAILABLE OPTICS:**



ROTSYMMETRICAL



CYCLE ROUTE / PEDESTRIAN



STREET





**Energy Label** **A++**

802003 HYDROCITY 02 -12+0	LIGHT SOURCE	LED COLOR*	LIGHT BEAM OPTIONS	LUMEN OUTPUT (lm)	LUMINOUS EFFICACY (lm/w)	COLORS OPTIONS
18 WATT 220-240V 50-60HZ ELECTRONIC IP66 6,30 KG UNIT GROSS WEIGHT	HIGH-POWER LED	3.000°K WARM-WHITE	ROTOSYMMETRICAL	1.728	96.00	<input type="checkbox"/> TEXTURED GREY <input type="checkbox"/> MATT WHITE (ON REQUEST) <input type="checkbox"/> MATT BLACK (ON REQUEST)
			CYCLE ROUTE PEDESTRIAN			
			STREET			

\* OTHER LIGHT COLORS AVAILABLE ON REQUEST: ○ 4.000°K NEUTRAL-WHITE, ● BLUE



**Energy Label** **A++**

802004 HYDROCITY 02 -12+12	LIGHT SOURCE	LED COLOR*	LIGHT BEAM OPTIONS	LUMEN OUTPUT (lm)	LUMINOUS EFFICACY (lm/w)	COLORS OPTIONS
36 WATT 220-240V 50-60HZ ELECTRONIC IP66 6,30 KG UNIT GROSS WEIGHT	HIGH-POWER LED	3.000°K WARM-WHITE	ROTOSYMMETRICAL	3.456	96.00	<input type="checkbox"/> TEXTURED GREY <input type="checkbox"/> MATT WHITE (ON REQUEST) <input type="checkbox"/> MATT BLACK (ON REQUEST)
			CYCLE ROUTE PEDESTRIAN			
			STREET			

\* OTHER LIGHT COLORS AVAILABLE ON REQUEST: ○ 4.000°K NEUTRAL-WHITE, ● BLUE



**Energy Label** **A++**

802005 HYDROCITY 02 -24+0	LIGHT SOURCE	LED COLOR*	LIGHT BEAM OPTIONS	LUMEN OUTPUT (lm)	LUMINOUS EFFICACY (lm/w)	COLORS OPTIONS
36 WATT 220-240V 50-60HZ ELECTRONIC IP66 6,30 KG UNIT GROSS WEIGHT	HIGH-POWER LED	3.000°K WARM-WHITE	ROTOSYMMETRICAL	3.456	96.00	<input type="checkbox"/> TEXTURED GREY <input type="checkbox"/> MATT WHITE (ON REQUEST) <input type="checkbox"/> MATT BLACK (ON REQUEST)
			CYCLE ROUTE PEDESTRIAN			
			STREET			

\* OTHER LIGHT COLORS AVAILABLE ON REQUEST: ○ 4.000°K NEUTRAL-WHITE, ● BLUE

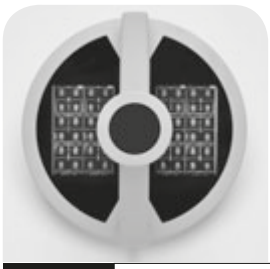


**Energy Label** **A++**

802006 HYDROCITY 02 -24+12	LIGHT SOURCE	LED COLOR*	LIGHT BEAM OPTIONS	LUMEN OUTPUT (lm)	LUMINOUS EFFICACY (lm/w)	COLORS OPTIONS
54 WATT 220-240V 50-60HZ ELECTRONIC IP66 6,30 KG UNIT GROSS WEIGHT	HIGH-POWER LED	3.000°K WARM-WHITE	ROTOSYMMETRICAL	5.184	96.00	<input type="checkbox"/> TEXTURED GREY <input type="checkbox"/> MATT WHITE (ON REQUEST) <input type="checkbox"/> MATT BLACK (ON REQUEST)
			CYCLE ROUTE PEDESTRIAN			
			STREET			

\* OTHER LIGHT COLORS AVAILABLE ON REQUEST: ○ 4.000°K NEUTRAL-WHITE, ● BLUE



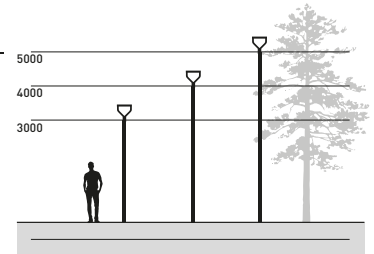
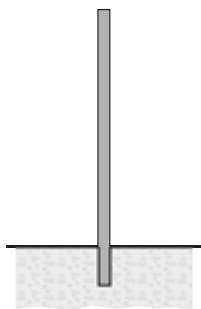


802007 HYDROCITY 02 - 24+24	LIGHT SOURCE	LED COLOR*	LIGHT BEAM OPTIONS	LUMEN OUTPUT (lm)	LUMINOUS EFFICACY (lm/w)	COLORS OPTIONS
72 WATT 220-240V 50-60HZ ELECTRONIC IP66 6,30 KG UNIT GROSS WEIGHT	HIGH-POWER LED	3.000°K WARM-WHITE	ROTOSYMMETRICAL	6.912	96.00	TEXTURED GREY MATT WHITE (ON REQUEST) MATT BLACK (ON REQUEST)
			CYCLE ROUTE PEDESTRIAN			
			STREET			

\* OTHER LIGHT COLORS AVAILABLE ON REQUEST: ○ 4.000°K NEUTRAL-WHITE, ● BLUE

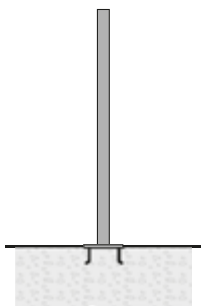
## POLES & ACCESSORIES

### BURIED POLES



CODE	ARTICLE	HEIGHT MM.	DESCRIPTION
809901	CYLINDRICAL POLE 3,5 METERS TO BE BURIED	3.500	Cylindrical pole made in steel S235JR (UNI EN 10219) hot galvanized (UNI EN 1461), <b>diameter 76 mm, thickness 4 mm.</b> Phospho-chromatised and polyester powder coated. <b>Total height including 500 mm to be buried into the ground.</b> Includes IP54 cover plate 132x38 mm and terminal block in double insulation.
809902	CYLINDRICAL POLE 4,5 METERS TO BE BURIED	4.500	
809903	CYLINDRICAL POLE 5,5 METERS TO BE BURIED	5.500	
809908	ADAPTER DIAM. 76MM → 60MM		Adapter for pole diam. 76 mm, allow the diameter reduction to 60 mm

### POLES WITH BASE-PLATE



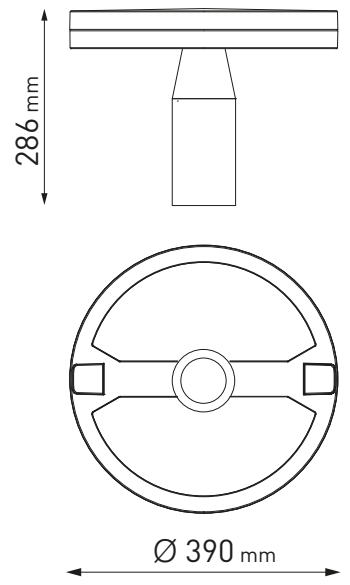
CODE	ARTICLE	HEIGHT MM.	DESCRIPTION
809904	CYLINDRICAL POLE 3 METERS WITH BASE-PLATE	3.000	Cylindrical pole made in steel S235JR (UNI EN 10219) hot galvanized (UNI EN 1461), <b>diameter 76 mm, thickness 4 mm.</b> Phospho-chromatised and polyester powder coated. <b>With base plate dim. 250x250 mm, thickness 10 mm</b> Includes IP54 cover plate 132x38 mm and terminal block in double insulation.
809905	CYLINDRICAL POLE 4 METERS WITH BASE-PLATE	4.000	
809906	CYLINDRICAL POLE 5 METERS WITH BASE-PLATE	5.000	
809907	ANCHORAGE UNIT FOR BASE-PLATE		<b>Base plate dim. 250x250 mm, thickness 3 mm,</b> made in galvanized steel complete of nr. 4 anchorage threaded bolts
809908	ADAPTER DIAM. 76MM → 60MM		Adapter for pole diam. 76 mm, allow the diameter reduction to 60 mm

**802008..12 HYDROCITY 03 LED**

Round pole-top mounted luminaire for outdoor installation on a pole diam. 60 mm, central supporting arm, with downward light distribution. Phosphochromatised and polyester powder coated die-cast copper-free aluminium body, tempered safety glass, moulded silicone gasket and stainless steel screws Built-in LED driver/s, with 12 to 48 CREE XP-G3 LED. IP66 rating.

**Energy Label** A++

- Material: high corrosion resistance die-cast copper-free aluminum body
- Coating: polyester powder coating with phosphochromating pre-finish
- NR. 12 -> 48 x 1.5W CREE "XP-G3" LED
- Electronic transformer 220/240V 50/60Hz included
- Stainless steel screws
- Silicone rubber gasket
- Tempered safety glass.
- 3 m neoprene power cable included



**AVAILABLE OPTICS:**



ROTSYMMETRICAL



CYCLE ROUTE / PEDESTRIAN



STREET





802008 HYDROCITY 03 12+0		LIGHT SOURCE	LED COLOR*	LIGHT BEAM OPTIONS	LUMEN OUTPUT (lm)	LUMINOUS EFFICACY (lm/w)	COLORS OPTIONS
18 WATT 220-240V 50-60HZ ELECTRONIC IP66 6,10 KG UNIT GROSS WEIGHT		HIGH-POWER LED	3.000°K WARM-WHITE	<input type="checkbox"/> ROTOSYMMETRICAL	1.728	96.00	<input type="checkbox"/> TEXTURED GREY <input type="checkbox"/> MATT WHITE (ON REQUEST) <input type="checkbox"/> MATT BLACK (ON REQUEST)
				<input type="checkbox"/> CYCLE ROUTE PEDESTRIAN			
				<input type="checkbox"/> STREET			

\* OTHER LIGHT COLORS AVAILABLE ON REQUEST: ○ 4.000°K NEUTRAL-WHITE, ● BLUE



802009 HYDROCITY 03 -12+12		LIGHT SOURCE	LED COLOR*	LIGHT BEAM OPTIONS	LUMEN OUTPUT (lm)	LUMINOUS EFFICACY (lm/w)	COLORS OPTIONS
36 WATT 220-240V 50-60HZ ELECTRONIC IP66 6,10 KG UNIT GROSS WEIGHT		HIGH-POWER LED	3.000°K WARM-WHITE	<input type="checkbox"/> ROTOSYMMETRICAL	3.456	96.00	<input type="checkbox"/> TEXTURED GREY <input type="checkbox"/> MATT WHITE (ON REQUEST) <input type="checkbox"/> MATT BLACK (ON REQUEST)
				<input type="checkbox"/> CYCLE ROUTE PEDESTRIAN			
				<input type="checkbox"/> STREET			

\* OTHER LIGHT COLORS AVAILABLE ON REQUEST: ○ 4.000°K NEUTRAL-WHITE, ● BLUE



802010 HYDROCITY 03 -24+0		LIGHT SOURCE	LED COLOR*	LIGHT BEAM OPTIONS	LUMEN OUTPUT (lm)	LUMINOUS EFFICACY (lm/w)	COLORS OPTIONS
36 WATT 220-240V 50-60HZ ELECTRONIC IP66 6,10 KG UNIT GROSS WEIGHT		HIGH-POWER LED	3.000°K WARM-WHITE	<input type="checkbox"/> ROTOSYMMETRICAL	3.456	96.00	<input type="checkbox"/> TEXTURED GREY <input type="checkbox"/> MATT WHITE (ON REQUEST) <input type="checkbox"/> MATT BLACK (ON REQUEST)
				<input type="checkbox"/> CYCLE ROUTE PEDESTRIAN			
				<input type="checkbox"/> STREET			

\* OTHER LIGHT COLORS AVAILABLE ON REQUEST: ○ 4.000°K NEUTRAL-WHITE, ● BLUE



802011 HYDROCITY 03 -24+12		LIGHT SOURCE	LED COLOR*	LIGHT BEAM OPTIONS	LUMEN OUTPUT (lm)	LUMINOUS EFFICACY (lm/w)	COLORS OPTIONS
54 WATT 220-240V 50-60HZ ELECTRONIC IP66 6,10 KG UNIT GROSS WEIGHT		HIGH-POWER LED	3.000°K WARM-WHITE	<input type="checkbox"/> ROTOSYMMETRICAL	5.184	96.00	<input type="checkbox"/> TEXTURED GREY <input type="checkbox"/> MATT WHITE (ON REQUEST) <input type="checkbox"/> MATT BLACK (ON REQUEST)
				<input type="checkbox"/> CYCLE ROUTE PEDESTRIAN			
				<input type="checkbox"/> STREET			

\* OTHER LIGHT COLORS AVAILABLE ON REQUEST: ○ 4.000°K NEUTRAL-WHITE, ● BLUE

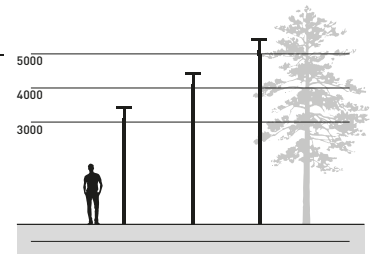
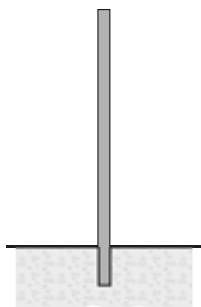


802012 HYDROCITY 03 - 24+24	LIGHT SOURCE	LED COLOR*	LIGHT BEAM OPTIONS	LUMEN OUTPUT (lm)	LUMINOUS EFFICACY (lm/w)	COLORS OPTIONS
72 WATT 220-240V 50-60HZ ELECTRONIC IP66 6,10 KG UNIT GROSS WEIGHT	HIGH-POWER LED	3.000°K WARM-WHITE	ROTOSYMMETRICAL	6.912	96.00	TEXTURED GREY
			CYCLE ROUTE PEDESTRIAN			MATT WHITE <i>(ON REQUEST)</i>
			STREET			MATT BLACK <i>(ON REQUEST)</i>

\* OTHER LIGHT COLORS AVAILABLE ON REQUEST: ○ 4.000°K NEUTRAL-WHITE, ● BLUE

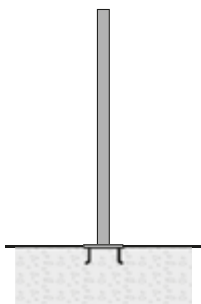
## POLES & ACCESSORIES

### BURIED POLES



CODE	ARTICLE	HEIGHT MM.	DESCRIPTION
809901	CYLINDRICAL POLE 3,5 METERS TO BE BURIED	3.500	Cylindrical pole made in steel S235JR (UNI EN 10219) hot galvanized (UNI EN 1461), <b>diameter 76 mm, thickness 4 mm.</b> Phospho-chromatised and polyester powder coated.
809902	CYLINDRICAL POLE 4,5 METERS TO BE BURIED	4.500	<b>Total height including 500 mm to be buried into the ground. Includes IP54 cover plate 132x38 mm and terminal block in double insulation.</b>
809903	CYLINDRICAL POLE 5,5 METERS TO BE BURIED	5.500	
809908	ADAPTER DIAM. 76MM → 60MM		Adapter for pole diam. 76 mm, allow the diameter reduction to 60 mm

### POLES WITH BASE-PLATE



CODE	ARTICLE	HEIGHT MM.	DESCRIPTION
809904	CYLINDRICAL POLE 3 METERS WITH BASE-PLATE	3.000	Cylindrical pole made in steel S235JR (UNI EN 10219) hot galvanized (UNI EN 1461), <b>diameter 76 mm, thickness 4 mm.</b> Phospho-chromatised and polyester powder coated. <b>With base plate dim. 250x250 mm, thickness 10 mm</b> <b>Includes IP54 cover plate 132x38 mm and terminal block in double insulation.</b>
809905	CYLINDRICAL POLE 4 METERS WITH BASE-PLATE	4.000	
809906	CYLINDRICAL POLE 5 METERS WITH BASE-PLATE	5.000	
809907	ANCHORAGE UNIT FOR BASE-PLATE		<b>Base plate dim. 250x250 mm, thickness 3 mm,</b> made in galvanized steel complete of nr. 4 anchorage threaded bolts
809908	ADAPTER DIAM. 76MM → 60MM		Adapter for pole diam. 76 mm, allow the diameter reduction to 60 mm



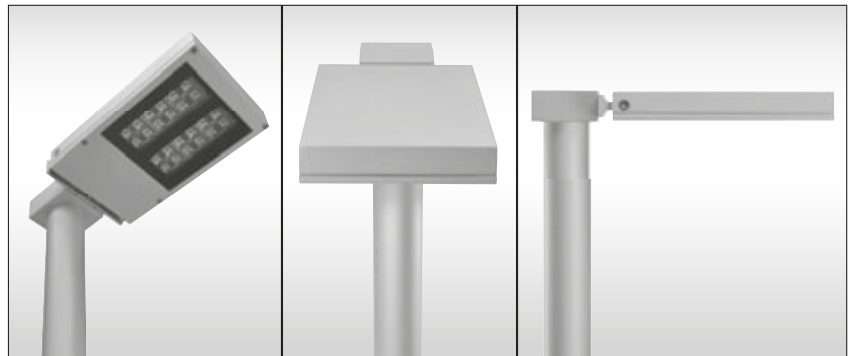
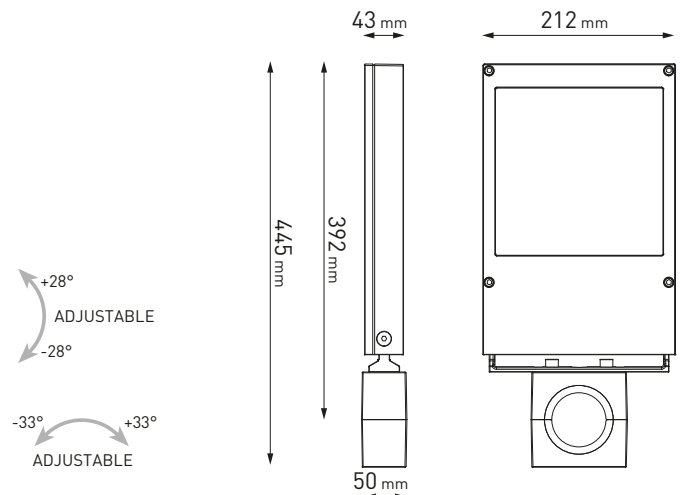
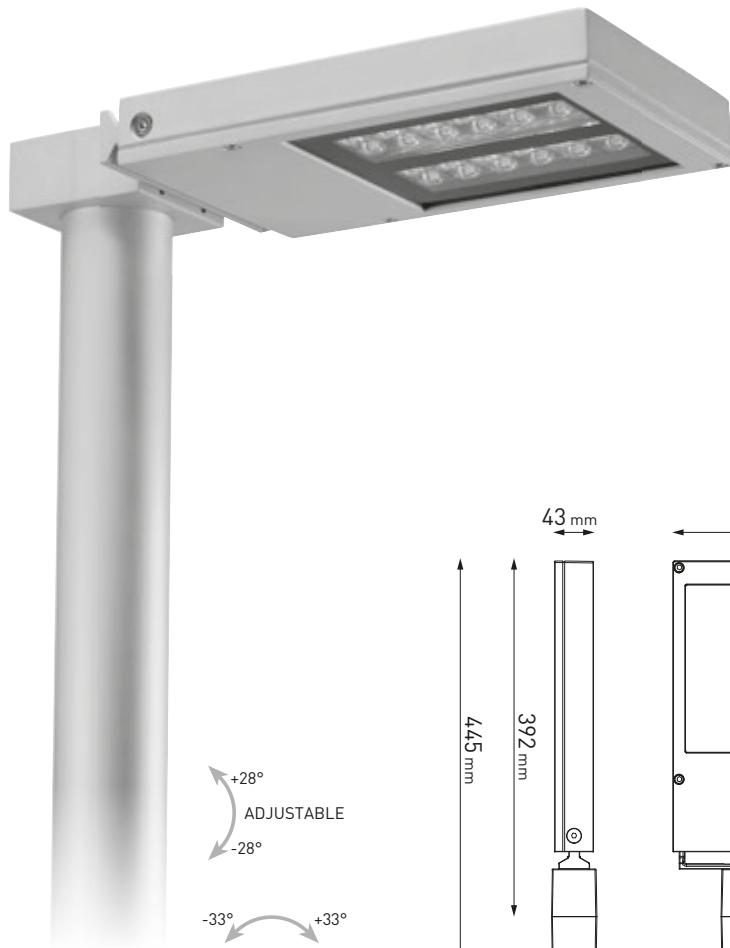


**803001 - 803002 SINGLE HYDROBOOK POLE-TOP MAXI LED**

Square pole-top mounted floodlight for outdoor installation on a pole diam. 60 mm or 76 mm. Phospho-chromatised and polyester powder coated die-cast copper-free aluminium body, tempered safety glass, moulded silicone gasket and stainless steel screws. Flange for pole diam. 60 mm or 76 mm included. Built-in LED driver 220-240V 50-60Hz, with 12 or 24 CREE XP-G3 LED. IP65 rating.

**Energy Label** A++

- Material: high corrosion resistance die-cast copper-free aluminum body
- Coating: polyester powder coating with phosphochromating pre-finish
- NR. 12 -> 24 x 1.5W CREE "XP-G3" LED
- Electronic transformer 220/240V 50/60Hz included
- Stainless steel screws
- Silicone rubber gasket
- Tempered safety glass.
- Double nickel-plated brass cable gland PG9
- 3 m neoprene power cable included



**AVAILABLE OPTICS:**

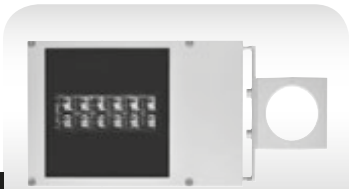


CYCLE ROUTE / PEDESTRIAN



STREET





Energy Label **A++**

803001	LIGHT SOURCE	LED COLOR*	LIGHT BEAM OPTIONS	LUMEN OUTPUT (lm)	LUMINOUS EFFICACY (lm/w)	COLORS OPTIONS
<b>HYDROBOOK POLE-TOP MAXI 12 LED</b>	HIGH-POWER LED	3.000°K WARM-WHITE	CYCLE ROUTE PEDESTRIAN	1.728	96.00	TEXTURED GREY MATT WHITE (ON REQUEST) MATT BLACK (ON REQUEST)
18 WATT 220-240V 50-60HZ ELECTRONIC IP65 3,00 KG UNIT GROSS WEIGHT			STREET			

\* OTHER LIGHT COLORS AVAILABLE ON REQUEST: ○ 4.000°K NEUTRAL-WHITE, ● BLUE



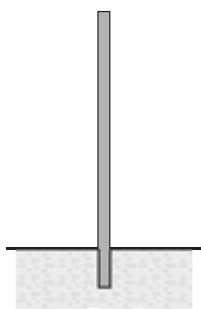
Energy Label **A++**

803002	LIGHT SOURCE	LED COLOR*	LIGHT BEAM OPTIONS	LUMEN OUTPUT (lm)	LUMINOUS EFFICACY (lm/w)	COLORS OPTIONS
<b>HYDROBOOK POLE-TOP MAXI 24 LED</b>	HIGH-POWER LED	3.000°K WARM-WHITE	CYCLE ROUTE PEDESTRIAN	3.456	96.00	TEXTURED GREY MATT WHITE (ON REQUEST) MATT BLACK (ON REQUEST)
36 WATT 220-240V 50-60HZ ELECTRONIC IP65 3,00 KG UNIT GROSS WEIGHT			STREET			

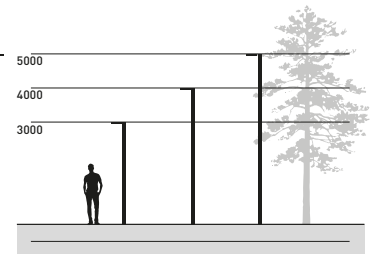
\* OTHER LIGHT COLORS AVAILABLE ON REQUEST: ○ 4.000°K NEUTRAL-WHITE, ● BLUE

## POLES & ACCESSORIES

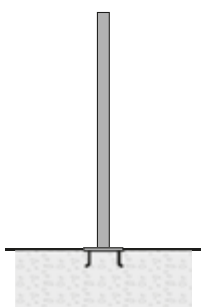
### BURIED POLES



CODE	ARTICLE	HEIGHT MM.	DESCRIPTION
809901	CYLINDRICAL POLE 3,5 METERS TO BE BURIED	3.500	Cylindrical pole made in steel S235JR (UNI EN 10219) hot galvanized (UNI EN 1461), diameter 76 mm, thickness 4 mm. Phospho-chromatised and polyester powder coated. Total height including 500 mm to be buried into the ground. Includes IP54 cover plate 132x38 mm and terminal block in double insulation.
809902	CYLINDRICAL POLE 4,5 METERS TO BE BURIED	4.500	
809903	CYLINDRICAL POLE 5,5 METERS TO BE BURIED	5.500	
809909	TOP CAP FOR POLE DIAM. 76 MM.		



### POLES WITH BASE-PLATE



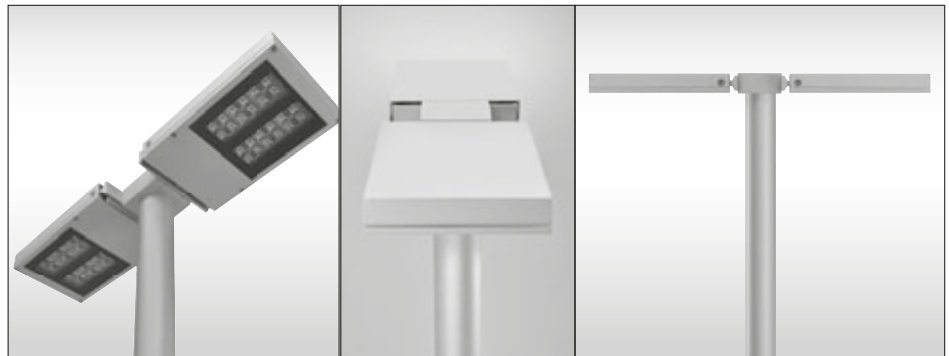
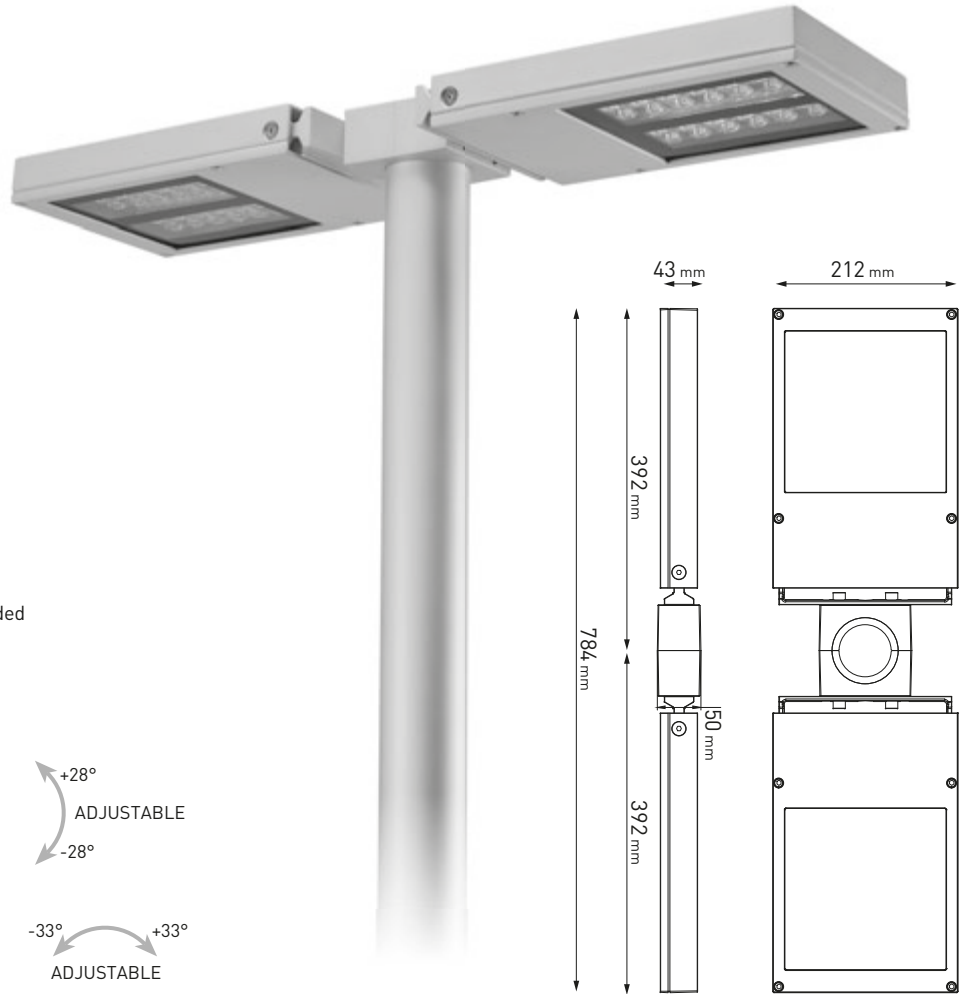
CODE	ARTICLE	HEIGHT MM.	DESCRIPTION
809904	CYLINDRICAL POLE 3 METERS WITH BASE-PLATE	3.000	Cylindrical pole made in steel S235JR (UNI EN 10219) hot galvanized (UNI EN 1461), diameter 76 mm, thickness 4 mm. Phospho-chromatised and polyester powder coated. With base plate dim. 250x250 mm, thickness 10 mm. Includes IP54 cover plate 132x38 mm and terminal block in double insulation.
809905	CYLINDRICAL POLE 4 METERS WITH BASE-PLATE	4.000	
809906	CYLINDRICAL POLE 5 METERS WITH BASE-PLATE	5.000	
809907	ANCHORAGE UNIT FOR BASE-PLATE		Base plate dim. 250x250 mm, thickness 3 mm, made in galvanized steel complete of nr. 4 anchorage threaded bolts
809909	TOP CAP FOR POLE DIAM. 76 MM.		

**803003 - 803004 DOUBLE HYDROBOOK POLE-TOP MAXI LED**

2 x square pole-top mounted floodlight for outdoor installation on a pole diam. 60 mm or 76 mm. Phospho-chromatised and polyester powder coated die-cast copper-free aluminium body, tempered safety glass, moulded silicone gasket and stainless steel screws. Flange for pole diam. 60 mm or 76 mm included. Built-in LED driver 220-240V 50-60Hz, with 2 x 12 or 24 CREE XP-G3 LED. IP65 rating.

**Energy Label** A++

- Material: high corrosion resistance die-cast copper-free aluminum body
- Coating: polyester powder coating with phosphochromating pre-finish
- NR. 2 x 12 -> 24 x 1.5W CREE "XP-G3" LED
- Electronic transformer 220/240V 50/60Hz included
- Stainless steel screws
- Silicone rubber gasket
- Tempered safety glass.
- Double nickel-plated brass cable gland PG9
- 3 m neoprene power cable included



**AVAILABLE OPTICS:**



CYCLE ROUTE / PEDESTRIAN



STREET



Energy Label **A++**

803003	LIGHT SOURCE	LED COLOR*	LIGHT BEAM OPTIONS	LUMEN OUTPUT (lm)	LUMINOUS EFFICACY (lm/w)	COLORS OPTIONS
<b>DOUBLE HYDROBOOK POLE-TOP MAXI 12 LED</b>	HIGH-POWER LED	3.000°K WARM-WHITE	CYCLE ROUTE PEDESTRIAN	2 X 1.728	96.00	TEXTURED GREY
<b>2X18 WATT</b> 220-240V 50-60HZ ELECTRONIC IP65 5,80 KG UNIT GROSS WEIGHT			STREET			MATT WHITE (ON REQUEST)
* OTHER LIGHT COLORS AVAILABLE ON REQUEST: ○ 4.000°K NEUTRAL-WHITE, ● BLUE						

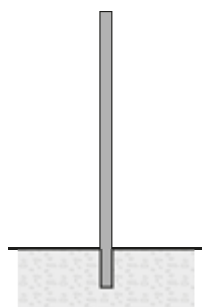


Energy Label **A++**

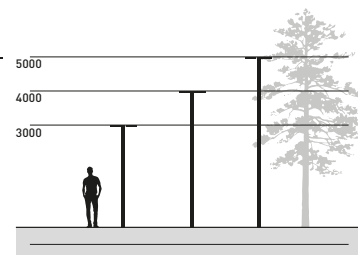
803004	LIGHT SOURCE	LED COLOR*	LIGHT BEAM OPTIONS	LUMEN OUTPUT (lm)	LUMINOUS EFFICACY (lm/w)	COLORS OPTIONS
<b>DOUBLE HYDROBOOK POLE-TOP MAXI 24 LED</b>	HIGH-POWER LED	3.000°K WARM-WHITE	CYCLE ROUTE PEDESTRIAN	2 X 3.456	96.00	TEXTURED GREY
<b>2X36 WATT</b> 220-240V 50-60HZ ELECTRONIC IP65 5,80 KG UNIT GROSS WEIGHT			STREET			MATT WHITE (ON REQUEST)
* OTHER LIGHT COLORS AVAILABLE ON REQUEST: ○ 4.000°K NEUTRAL-WHITE, ● BLUE						

## POLES & ACCESSORIES

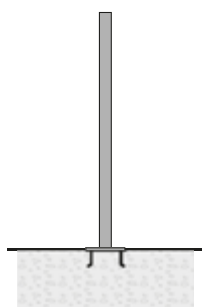
### BURIED POLES



CODE	ARTICLE	HEIGHT MM.	DESCRIPTION
809901	CYLINDRICAL POLE 3,5 METERS TO BE BURIED	3.500	Cylindrical pole made in steel S235JR (UNI EN 10219) hot galvanized (UNI EN 1461), diameter 76 mm, thickness 4 mm. Phospho-chromatised and polyester powder coated. Total height including 500 mm to be buried into the ground. Includes IP54 cover plate 132x38 mm and terminal block in double insulation.
809902	CYLINDRICAL POLE 4,5 METERS TO BE BURIED	4.500	
809903	CYLINDRICAL POLE 5,5 METERS TO BE BURIED	5.500	
809909	TOP CAP FOR POLE DIAM. 76 MM.		



### POLES WITH BASE-PLATE



CODE	ARTICLE	HEIGHT MM.	DESCRIPTION
809904	CYLINDRICAL POLE 3 METERS WITH BASE-PLATE	3.000	Cylindrical pole made in steel S235JR (UNI EN 10219) hot galvanized (UNI EN 1461), diameter 76 mm, thickness 4 mm. Phospho-chromatised and polyester powder coated. With base plate dim. 250x250 mm, thickness 10 mm. Includes IP54 cover plate 132x38 mm and terminal block in double insulation.
809905	CYLINDRICAL POLE 4 METERS WITH BASE-PLATE	4.000	
809906	CYLINDRICAL POLE 5 METERS WITH BASE-PLATE	5.000	
809907	ANCHORAGE UNIT FOR BASE-PLATE		Base plate dim. 250x250 mm, thickness 3 mm, made in galvanized steel complete of nr. 4 anchorage threaded bolts
809909	TOP CAP FOR POLE DIAM. 76 MM.		





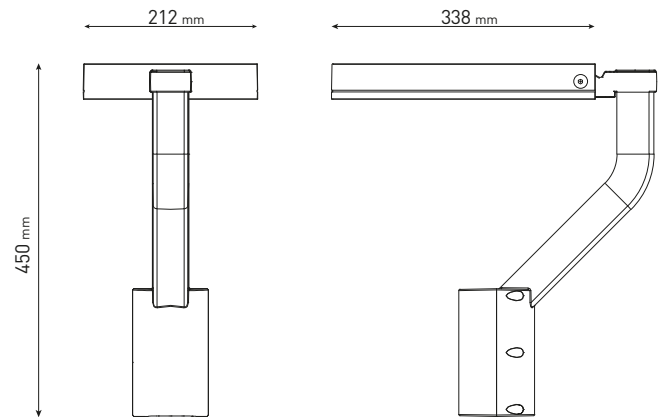
**803005 -803006 HYDROBOOK ARM POLE-TOP MAXI LED**

Square pole-top mounted floodlight for outdoor installation on a pole diam. 60 mm with single supporting arm. Phospho-chromatised and polyester powder coated die-cast copper-free aluminium body, tempered safety glass, moulded silicone gasket and stainless steel screws. Built-in LED driver 220-240V 50-60Hz, with 12 or 24 CREE XP-G3 LED. IP65 rating.

**Energy Label** A++

- Material: high corrosion resistance die-cast copper-free aluminum body
- Coating: polyester powder coating with phosphochromating pre-finish
- NR. 12 -> 24 x 1.5W CREE "XP-G3" LED
- Electronic transformer 220/240V 50/60Hz included
- Stainless steel screws
- Silicone rubber gasket
- Tempered safety glass.
- Double M20 rubber grommet Rutaseal® in EPDM
- 3 m neoprene power cable included

+20°  
ADJUSTABLE  
-20°



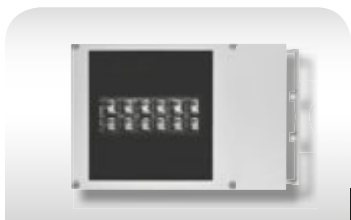
**AVAILABLE OPTICS:**



CYCLE ROUTE / PEDESTRIAN



STREET



+20°  
ADJUSTABLE  
-20°

803005	HYDROBOOK ARM POLE-TOP MAXI 12 LED	LIGHT SOURCE	LED COLOR*	LIGHT BEAM OPTIONS	LUMEN OUTPUT (lm)	LUMINOUS EFFICACY (lm/w)	COLORS OPTIONS
18 WATT 220-240V 50-60HZ ELECTRONIC IP65 3,60 KG UNIT GROSS WEIGHT		HIGH-POWER LED	3.000°K WARM-WHITE	<input type="checkbox"/> CYCLE ROUTE PEDESTRIAN  <input type="checkbox"/> STREET	1.728	96.00	<input type="checkbox"/> TEXTURED GREY <input type="checkbox"/> MATT WHITE (ON REQUEST) <input type="checkbox"/> MATT BLACK (ON REQUEST)

\* OTHER LIGHT COLORS AVAILABLE ON REQUEST: ○ 4.000°K NEUTRAL-WHITE

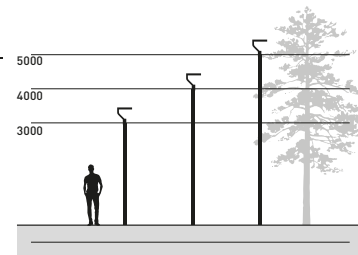


+20°  
ADJUSTABLE  
-20°

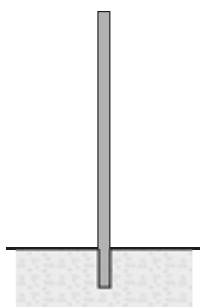
803006	HYDROBOOK ARM POLE-TOP MAXI 24 LED	LIGHT SOURCE	LED COLOR*	LIGHT BEAM OPTIONS	LUMEN OUTPUT (lm)	LUMINOUS EFFICACY (lm/w)	COLORS OPTIONS
36 WATT 220-240V 50-60HZ ELECTRONIC IP65 3,60 KG UNIT GROSS WEIGHT		HIGH-POWER LED	3.000°K WARM-WHITE	<input type="checkbox"/> CYCLE ROUTE PEDESTRIAN  <input type="checkbox"/> STREET	3.456	96.00	<input type="checkbox"/> TEXTURED GREY <input type="checkbox"/> MATT WHITE (ON REQUEST) <input type="checkbox"/> MATT BLACK (ON REQUEST)

\* OTHER LIGHT COLORS AVAILABLE ON REQUEST: ○ 4.000°K NEUTRAL-WHITE

## POLES & ACCESSORIES

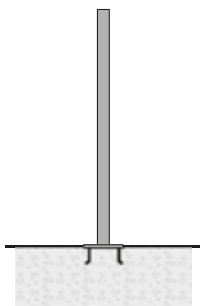


### BURIED POLES



CODE	ARTICLE	HEIGHT MM.	DESCRIPTION
809901	CYLINDRICAL POLE 3,5 METERS TO BE BURIED	3.500	Cylindrical pole made in steel S235JR (UNI EN 10219) hot galvanized (UNI EN 1461), diameter 76 mm, thickness 4 mm. Phospho-chromatised and polyester powder coated. <b>Total height including 500 mm to be buried into the ground. Includes IP54 cover plate 132x38 mm and terminal block in double insulation.</b>
809902	CYLINDRICAL POLE 4,5 METERS TO BE BURIED	4.500	
809903	CYLINDRICAL POLE 5,5 METERS TO BE BURIED	5.500	
809908	ADAPTER DIAM. 76MM → 60MM		Adapter for pole diam. 76 mm, allow the diameter reduction to 60 mm

### POLES WITH BASE-PLATE



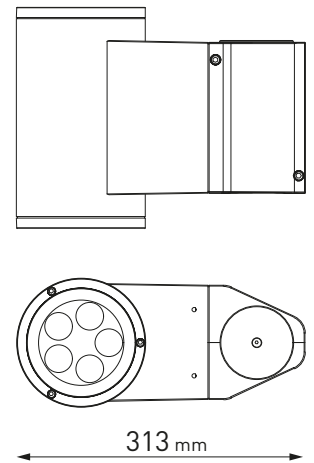
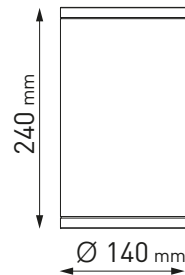
CODE	ARTICLE	HEIGHT MM.	DESCRIPTION
809904	CYLINDRICAL POLE 3 METERS WITH BASE-PLATE	3.000	Cylindrical pole made in steel S235JR (UNI EN 10219) hot galvanized (UNI EN 1461), diameter 76 mm, thickness 4 mm. Phospho-chromatised and polyester powder coated. <b>With base plate dim. 250x250 mm, thickness 10 mm Includes IP54 cover plate 132x38 mm and terminal block in double insulation.</b>
809905	CYLINDRICAL POLE 4 METERS WITH BASE-PLATE	4.000	
809906	CYLINDRICAL POLE 5 METERS WITH BASE-PLATE	5.000	
809907	ANCHORAGE UNIT FOR BASE-PLATE		<b>Base plate dim. 250x250 mm, thickness 3 mm, made in galvanized steel complete of nr. 4 anchorage threaded bolts</b>
809908	ADAPTER DIAM. 76MM → 60MM		Adapter for pole diam. 76 mm, allow the diameter reduction to 60 mm

**804001 SINGLE HYDROTECH POLE-TOP MEDIUM 01 ROUND LED**

Round pole-top mounted luminaire for outdoor installation on a pole diam. 60 mm or 76 mm, with downward light distribution. Phospho-chromatised and polyester powder coated die-cast copper-free aluminium body, tempered safety glass, moulded silicone gasket and stainless steel screws. Clamp for pole diam 60 mm or 76 mm included. Built-in LED driver 220-240V 50-60Hz, with 5 CREE XP-G3 LED. IP65 rating.

**Energy Label** A++

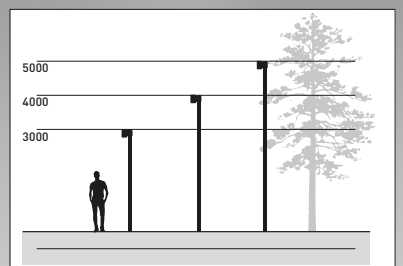
- Material: high corrosion resistance die-cast copper-free aluminum body
- Coating: polyester powder coating with phosphochromating pre-finish
- NR. 5 x 1.5W CREE "XP-G3" LED
- Electronic transformer 220/240V 50/60Hz included
- Stainless steel screws
- Silicone rubber gasket
- Tempered safety glass.
- 3 m neoprene power cable included



8 WATT  
220-240V 50-60HZ ELECTRONIC  
IP65  
3,80 KG UNIT GROSS WEIGHT

LIGHT SOURCE	LED COLOR*	LIGHT BEAM OPTIONS	LUMEN OUTPUT (lm)	LUMINOUS EFFICACY (lm/w)	COLORS OPTIONS
HIGH-POWER LED	3.000°K WARM-WHITE	10°	720	90.00	<input type="checkbox"/> TEXTURED GREY <input type="checkbox"/> MATT WHITE (ON REQUEST) <input type="checkbox"/> MATT BLACK (ON REQUEST)
		30°	684	85.50	
		45°	650	81.25	
	4.000°K NEUTRAL-WHITE	10°	750	93.75	
		30°	713	89.13	
		45°	677	84.63	



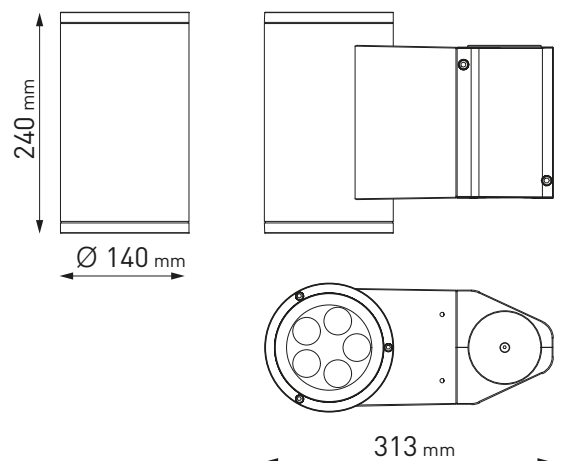






**804005 SINGLE HYDROTECH POLE-TOP MEDIUM 01 ROUND PRO LED**

Round pole-top mounted luminaire for outdoor installation on a pole diam. 60 mm or 76 mm, with downward light distribution. Phospho-chromatised and polyester powder coated die-cast copper-free aluminium body, tempered safety glass, moulded silicone gasket and stainless steel screws. Clamp for pole diam 60 mm or 76 mm included. Built-in LED driver 220-240V 50-60Hz, with 5 CREE XP-L LED. IP65 rating.

**Energy Label** A++

- Material: high corrosion resistance die-cast copper-free aluminum body
- Coating: polyester powder coating with phosphochromating pre-finish
- NR. 5 CREE "XP-L" LED
- Electronic transformer 220/240V 50/60Hz included
- Stainless steel screws
- Silicone rubber gasket
- Tempered safety glass.
- 3 m neoprene power cable included



	LIGHT SOURCE	LED COLOR*	LIGHT BEAM OPTIONS	LUMEN OUTPUT (lm)	LUMINOUS EFFICACY (lm/w)	COLORS OPTIONS
14 WATT 220-240V 50-60HZ ELECTRONIC IP65 3,80 KG UNIT GROSS WEIGHT	HIGH-POWER LED	 3.000°K WARM-WHITE	 10°	1.300	92.86	■ TEXTURED GREY □ MATT WHITE (ON REQUEST) ■ MATT BLACK (ON REQUEST)
			 30°	1.230	87.86	
			 45°	1.170	83.57	

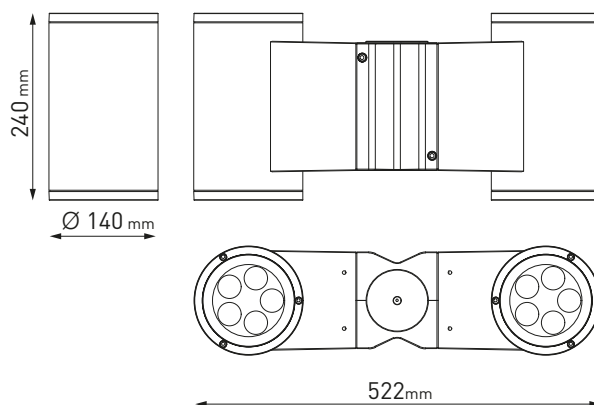
\* OTHER LIGHT COLORS AVAILABLE ON REQUEST: ○ 4.000°K NEUTRAL-WHITE

**804002 DOUBLE HYDROTECH POLE-TOP MEDIUM 01 ROUND LED**

2 x round pole-top mounted luminaire for outdoor installation on a pole diam. 60 mm or 76 mm, with downward light distribution. Phospho-chromatised and polyester powder coated die-cast copper-free aluminium body, tempered safety glass, moulded silicone gasket and stainless steel screws. Clamp for pole diam 60 mm or 76 mm included. Built-in LED driver 220-240V 50-60Hz, with 2 x 5 CREE XP-G3 LED. IP65 rating.

**Energy Label** A++

- Material: high corrosion resistance die-cast copper-free aluminum body
- Coating: polyester powder coating with phosphochromating pre-finish
- NR. 2 x 5 x 1.5W CREE "XP-G3" LED
- Electronic transformer 220/240V 50/60Hz included
- Stainless steel screws
- Silicone rubber gasket
- Tempered safety glass.
- 3 m neoprene power cable included



2X8 WATT  
220-240V 50-60HZ ELECTRONIC  
IP65  
7,00 KG UNIT GROSS WEIGHT

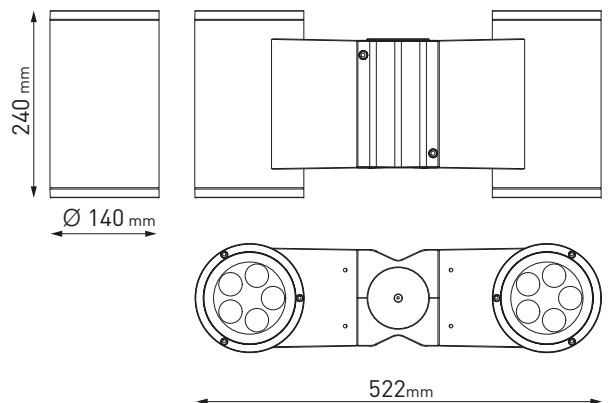
LIGHT SOURCE	LED COLOR*	LIGHT BEAM OPTIONS	LUMEN OUTPUT (lm)	LUMINOUS EFFICACY (lm/w)	COLORS OPTIONS
HIGH-POWER LED	3.000°K WARM-WHITE	<b>M</b> 10°	2 X 720	90.00	■ TEXTURED GREY
		<b>M</b> 30°	2 X 684	85.50	
		<b>M</b> 45°	2 X 650	81.25	□ MATT WHITE (ON REQUEST)
	4.000°K NEUTRAL-WHITE	<b>M</b> 10°	2 X 750	93.75	■ MATT BLACK (ON REQUEST)
		<b>M</b> 30°	2 X 713	89.13	
		<b>M</b> 45°	2 X 677	84.63	





**804006 DOUBLE HYDROTECH POLE-TOP MEDIUM 01 ROUND PRO LED**

2 x round pole-top mounted luminaire for outdoor installation on a pole diam. 60 mm or 76 mm, with downward light distribution. Phospho-chromatised and polyester powder coated die-cast copper-free aluminium body, tempered safety glass, moulded silicone gasket and stainless steel screws. Clamp for pole diam 60 mm or 76 mm included. Built-in LED driver 220-240V 50-60Hz, with 2 x 5 CREE XP-L LED. IP65 rating.

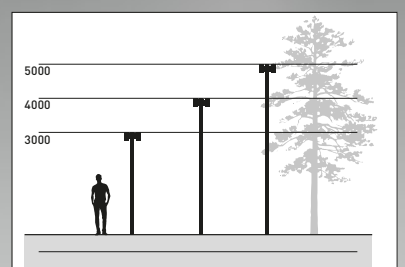
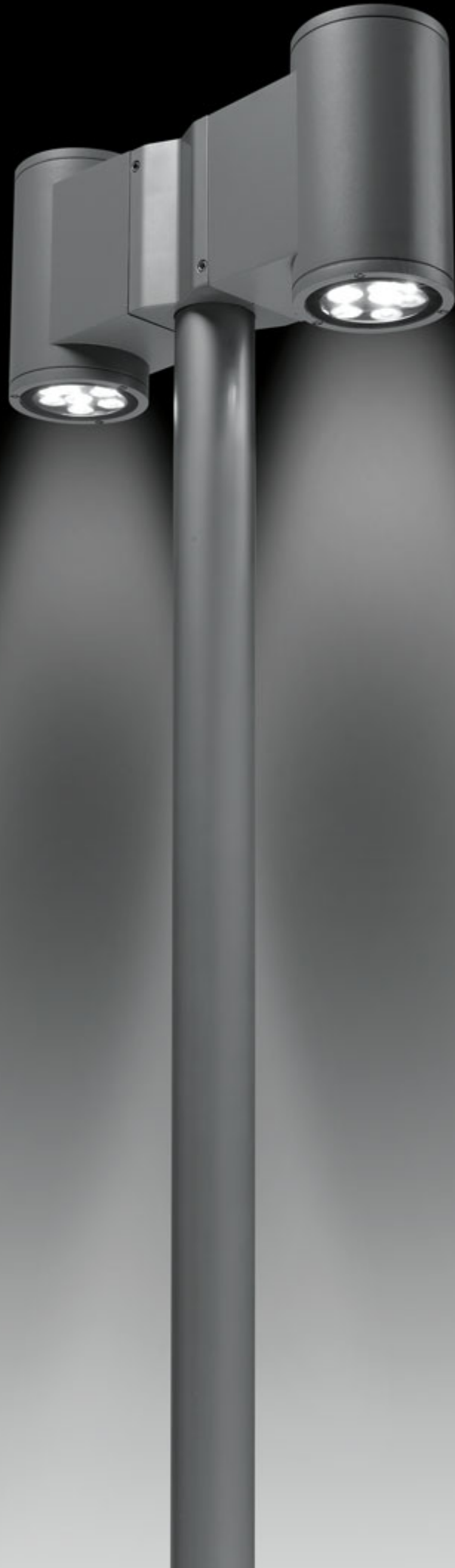
**Energy Label** A++

- Material: high corrosion resistance die-cast copper-free aluminum body
- Coating: polyester powder coating with phosphochromating pre-finish
- NR. 2 x 5 CREE "XP-L" LED
- Electronic transformer 220/240V 50/60Hz included
- Stainless steel screws
- Silicone rubber gasket
- Tempered safety glass.
- 3 m neoprene power cable included



	LIGHT SOURCE	LED COLOR*	LIGHT BEAM OPTIONS	LUMEN OUTPUT (lm)	LUMINOUS EFFICACY (lm/w)	COLORS OPTIONS
2X14 WATT 220-240V 50-60HZ ELECTRONIC IP65 7,00 KG UNIT GROSS WEIGHT	HIGH-POWER LED	 3.000°K WARM-WHITE	 10°	2 X 1.300	92.86	■ TEXTURED GREY □ MATT WHITE (ON REQUEST) ■ MATT BLACK (ON REQUEST)
			 30°	2 X 1.230	87.86	
			 45°	2 X 1.170	83.57	

\* OTHER LIGHT COLORS AVAILABLE ON REQUEST: ○ 4.000°K NEUTRAL-WHITE

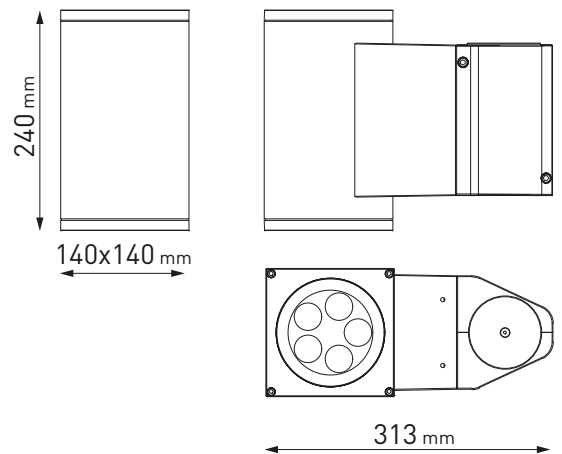


**804003 SINGLE HYDROTECH POLE-TOP MEDIUM 01 SQUARE LED**

Square pole-top mounted luminaire for outdoor installation on a pole diam. 60 mm or 76 mm, with downward light distribution. Phospho-chromatised and polyester powder coated die-cast copper-free aluminium body, tempered safety glass, moulded silicone gasket and stainless steel screws. Clamp for pole diam 60 mm or 76 mm included. Built-in LED driver 220-240V 50-60Hz, with 5 CREE XP-G3 LED. IP65 rating.

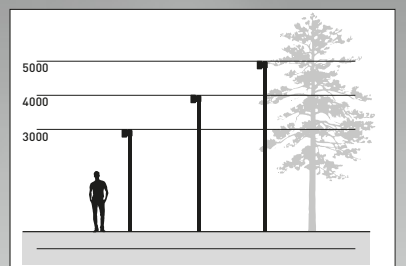
**Energy Label** A++

- Material: high corrosion resistance die-cast copper-free aluminum body
- Coating: polyester powder coating with phosphochromating pre-finish
- NR. 5 x 1.5W CREE "XP-G3" LED
- Electronic transformer 220/240V 50/60Hz included
- Stainless steel screws
- Silicone rubber gasket
- Tempered safety glass.
- 3 m neoprene power cable included



8 WATT  
220-240V 50-60HZ ELECTRONIC  
IP65  
3,80 KG UNIT GROSS WEIGHT

LIGHT SOURCE	LED COLOR*	LIGHT BEAM OPTIONS	LUMEN OUTPUT (lm)	LUMINOUS EFFICACY (lm/w)	COLORS OPTIONS
HIGH-POWER LED	3.000°K WARM-WHITE	<b>M</b> 10°	720	90.00	<input type="checkbox"/> TEXTURED GREY <input type="checkbox"/> MATT WHITE (ON REQUEST) <input type="checkbox"/> MATT BLACK (ON REQUEST)
		<b>M</b> 30°	684	85.50	
		<b>M</b> 45°	650	81.25	
	4.000°K NEUTRAL-WHITE	<b>M</b> 10°	750	93.75	
		<b>M</b> 30°	713	89.13	
		<b>M</b> 45°	677	84.63	

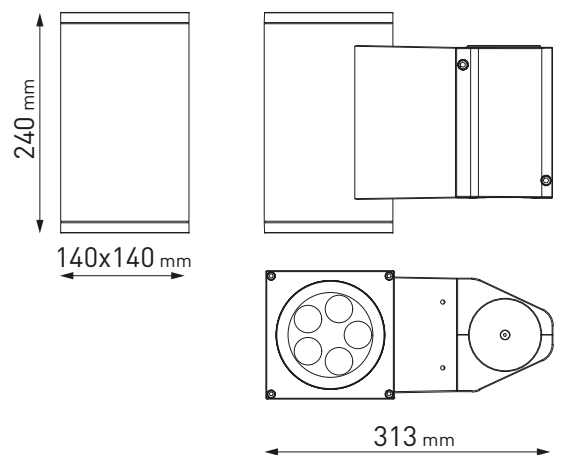


**804007 SINGLE HYDROTECH POLE-TOP MEDIUM 01 SQUARE PRO LED**

Square pole-top mounted luminaire for outdoor installation on a pole diam. 60 mm or 76 mm, with downward light distribution. Phospho-chromatised and polyester powder coated die-cast copper-free aluminium body, tempered safety glass, moulded silicone gasket and stainless steel screws. Clamp for pole diam 60 mm or 76 mm included. Built-in LED driver 220-240V 50-60Hz, with 5 CREE XP-L LED. IP65 rating.

**Energy Label** A++

- Material: high corrosion resistance die-cast copper-free aluminum body
- Coating: polyester powder coating with phosphochromating pre-finish
- NR. 5 CREE "XP-L" LED
- Electronic transformer 220/240V 50/60Hz included
- Stainless steel screws
- Silicone rubber gasket
- Tempered safety glass.
- 3 m neoprene power cable included



	LIGHT SOURCE	LED COLOR*	LIGHT BEAM OPTIONS	LUMEN OUTPUT (lm)	LUMINOUS EFFICACY (lm/w)	COLORS OPTIONS
14 WATT 220-240V 50-60HZ ELECTRONIC IP65 3,80 KG UNIT GROSS WEIGHT	HIGH-POWER LED	3.000°K WARM-WHITE	10°	1.300	92.86	■ TEXTURED GREY □ MATT WHITE (ON REQUEST) ■ MATT BLACK (ON REQUEST)
			30°	1.230	87.86	
			45°	1.170	83.57	

\* OTHER LIGHT COLORS AVAILABLE ON REQUEST: ○ 4.000°K NEUTRAL-WHITE

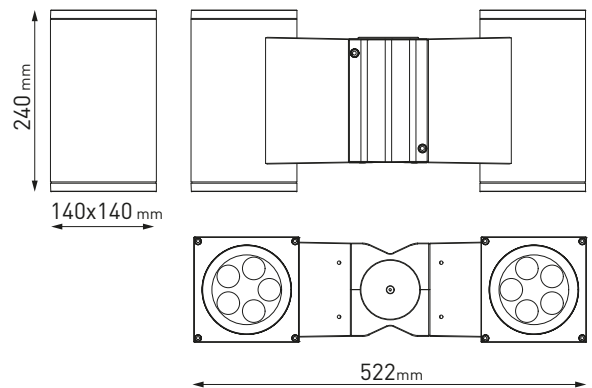
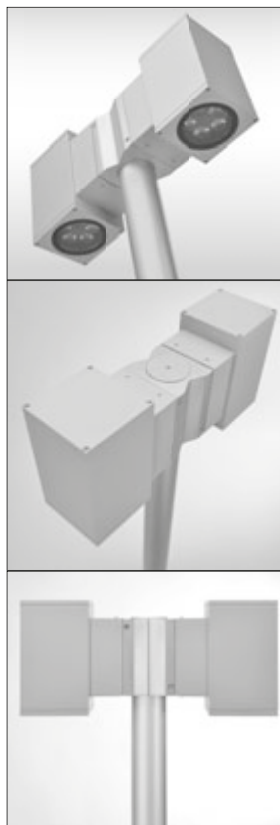


**804004 DOUBLE HYDROTECH POLE-TOP MEDIUM 01 SQUARE LED**





2 x square pole-top mounted luminaire for outdoor installation on a pole diam. 60 mm or 76 mm, with downward light distribution. Phospho-chromatised and polyester powder coated die-cast copper-free aluminium body, tempered safety glass, moulded silicone gasket and stainless steel screws. Clamp for pole diam 60 mm or 76 mm included. Built-in LED driver 220-240V 50-60Hz, with 2 x 5 CREE XP-G3 LED. IP65 rating.

**Energy Label** A++

- Material: high corrosion resistance die-cast copper-free aluminum body
- Coating: polyester powder coating with phosphochromating pre-finish
- NR. 2 x 5 x 1.5W CREE "XP-G3" LED
- Electronic transformer 220/240V 50/60Hz included
- Stainless steel screws
- Silicone rubber gasket
- Tempered safety glass.
- 3 m neoprene power cable included



2X8 WATT  
220-240V 50-60HZ ELECTRONIC  
IP65  
7,00 KG UNIT GROSS WEIGHT

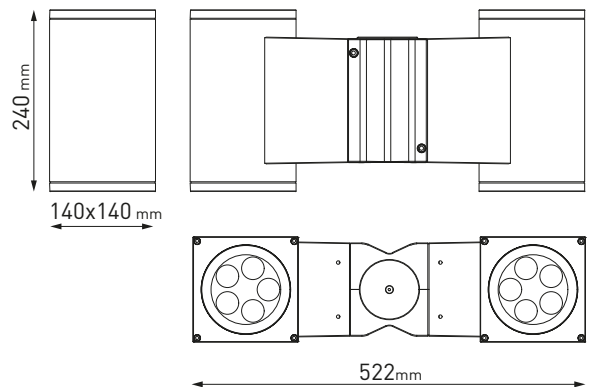
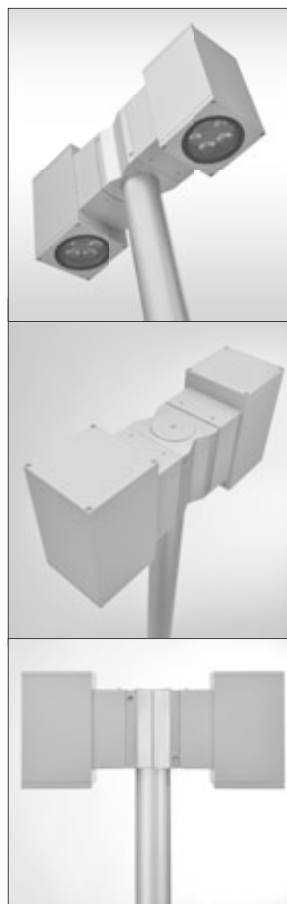
LIGHT SOURCE	LED COLOR*	LIGHT BEAM OPTIONS	LUMEN OUTPUT (lm)	LUMINOUS EFFICACY (lm/w)	COLORS OPTIONS
HIGH-POWER LED	 3.000°K WARM-WHITE	<b>M</b> 10°	2 X 720	90.00	 TEXTURED GREY
		<b>M</b> 30°	2 X 684	85.50	
		<b>M</b> 45°	2 X 650	81.25	 MATT WHITE <i>(ON REQUEST)</i>
	 4.000°K NEUTRAL-WHITE	<b>M</b> 10°	2 X 750	93.75	
		<b>M</b> 30°	2 X 713	89.13	
		<b>M</b> 45°	2 X 677	84.63	





**804008 DOUBLE HYDROTECH POLE-TOP MEDIUM 01 SQUARE PRO LED**

2 x square pole-top mounted luminaire for outdoor installation on a pole diam. 60 mm or 76 mm, with downward light distribution. Phospho-chromatised and polyester powder coated die-cast copper-free aluminium body, tempered safety glass, moulded silicone gasket and stainless steel screws. Clamp for pole diam 60 mm or 76 mm included. Built-in LED driver 220-240V 50-60Hz, with 2 x 5 CREE XP-L LED. IP65 rating.

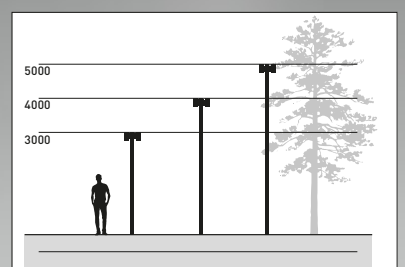
**Energy Label** A++

- Material: high corrosion resistance die-cast copper-free aluminum body
- Coating: polyester powder coating with phosphochromating pre-finish
- NR. 2 x 5 CREE "XP-L" LED
- Electronic transformer 220/240V 50/60Hz included
- Stainless steel screws
- Silicone rubber gasket
- Tempered safety glass.
- 3 m neoprene power cable included



	LIGHT SOURCE	LED COLOR*	LIGHT BEAM OPTIONS	LUMEN OUTPUT (lm)	LUMINOUS EFFICACY (lm/w)	COLORS OPTIONS
2X14 WATT 220-240V 50-60HZ ELECTRONIC IP65 7,00 KG UNIT GROSS WEIGHT	HIGH-POWER LED	 3.000°K WARM-WHITE	 10°	2 X 1.300	92.86	■ TEXTURED GREY □ MATT WHITE (ON REQUEST) ■ MATT BLACK (ON REQUEST)
			 30°	2 X 1.230	87.86	
			 45°	2 X 1.170	83.57	

\* OTHER LIGHT COLORS AVAILABLE ON REQUEST: ○ 4.000°K NEUTRAL-WHITE

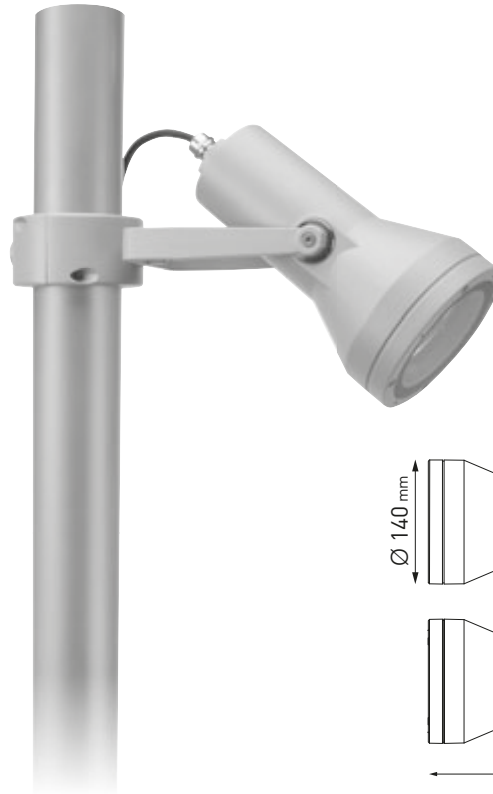


**805001 SINGLE HYDROFLASH POLE MEDIUM LED**

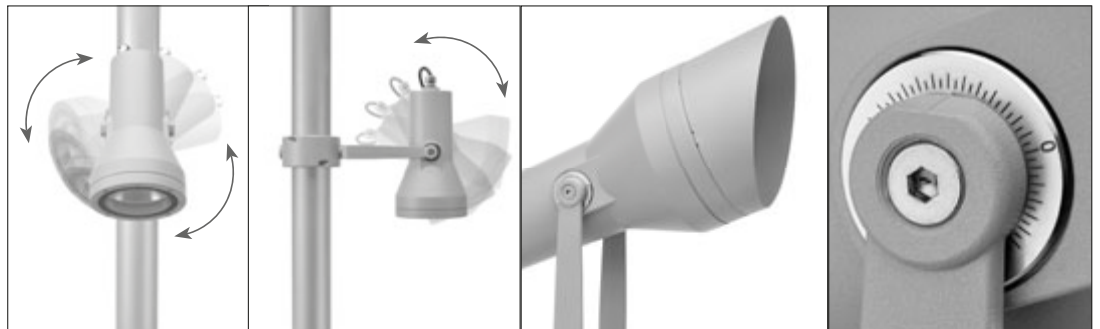
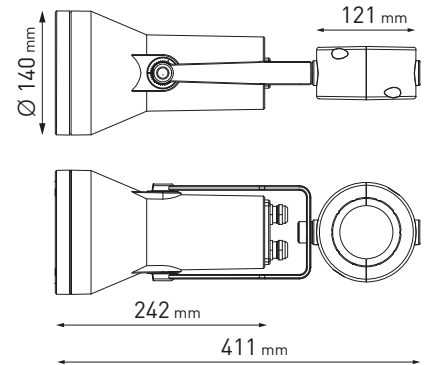
Round pole-mounted floodlight for outdoor installation on a pole diam. 60 mm or 76 mm. Phospho-chromatised and polyester powder coated die-cast copper-free aluminium body, tempered safety glass, moulded silicone gasket and stainless steel screws. Clamp for pole diam 60 mm or 76 mm included. Built-in LED driver 220-240V 50-60Hz, with 5 CREE XP-G3 high-power LED. IP65 rating.

**Energy Label** A++

- Material: high corrosion resistance die-cast copper-free aluminum body
- Coating: polyester powder coating with phosphochromating pre-finish
- NR. 5 CREE "XP-G3" LED
- Electronic transformer 220/240V 50/60Hz included
- Stainless steel screws
- Silicone rubber gasket
- Tempered safety glass.
- Double nickel-plated brass cable gland PG11
- 3 mt. neoprene power cable included



**1...10 V** **DALI**  
1-10 V DIMMABLE / DALI VERSION  
AVAILABLE ON REQUEST



AC-026 - ANTI-GLARE VISOR FOR HYDROFLASH MEDIUM

GRADUATED STAINLESS STEEL INSERT

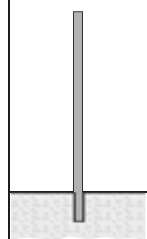
8 WATT  
220-240V 50-60HZ ELECTRONIC  
IP65  
3,00 KG UNIT GROSS WEIGHT

LIGHT SOURCE	LED COLOR*	LIGHT BEAM OPTIONS	LUMEN OUTPUT (lm)	LUMINOUS EFFICACY (lm/w)	COLORS OPTIONS
HIGH-POWER LED	3.000°K WARM-WHITE	M 10°	720	90.00	<input type="checkbox"/> TEXTURED GREY <input type="checkbox"/> MATT WHITE (ON REQUEST) <input type="checkbox"/> MATT BLACK (ON REQUEST)
		M 30°	684	85.50	
		M 45°	650	81.25	
	4.000°K NEUTRAL-WHITE	M 10°	750	93.75	
		M 30°	713	89.13	
		M 45°	677	84.63	

**POLES & ACCESSORIES**

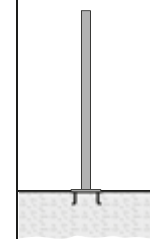
Full technical details of poles and accessories for poles are available at the end of the catalogue

**BURIED POLES**



CODE	HEIGHT MM.
809901	3.500
809902	4.500
809903	5.500
809908	ACC.

**POLES WITH BASE-PLATE**



CODE	HEIGHT MM.
809904	3.000
809905	4.000
809906	5.000
809907	ACC.
809908	ACC.



**805002 SINGLE HYDROFLASH POLE MEDIUM COB LED**

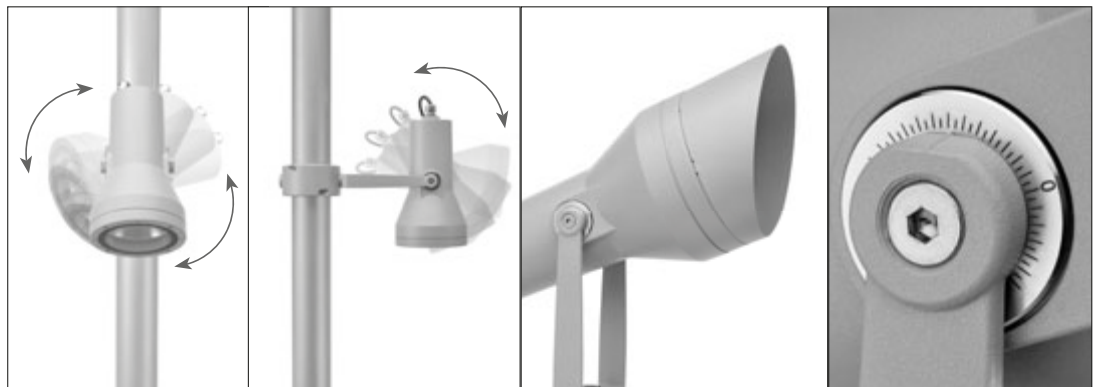
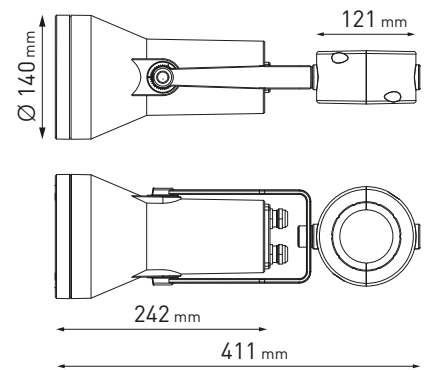
Round pole-mounted floodlight for outdoor installation on a pole diam. 60 mm or 76 mm. Phospho-chromatised and polyester powder coated die-cast copper-free aluminium body, tempered safety glass, moulded silicone gasket and stainless steel screws. Clamp for pole diam 60 mm or 76 mm included. Built-in LED driver 220-240V 50-60Hz, with 1 CREE CXA 1512 COB LED. IP65 rating.

**Energy Label** A++

- Material: high corrosion resistance die-cast copper-free aluminum body
- Coating: polyester powder coating with phosphochromating pre-finish
- NR. 1 CREE CXA 1512 LED
- Electronic transformer 220/240V 50/60Hz included
- Stainless steel screws
- Silicone rubber gasket
- Tempered safety glass.
- Double nickel-plated brass cable gland PG11
- 3 mt. neoprene power cable included



**1...10 V** **DALI**  
1-10 V DIMMABLE / DALI VERSION  
AVAILABLE ON REQUEST



AC-026 - ANTI-GLARE VISOR FOR HYDROFLASH MEDIUM

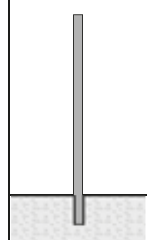
GRADUATED STAINLESS STEEL INSERT

	LIGHT SOURCE	LED COLOR*	LIGHT BEAM OPTIONS	LUMEN OUTPUT (lm)	LUMINOUS EFFICACY (lm/w)	COLORS OPTIONS
18 WATT 220-240V 50-60HZ ELECTRONIC IP65 3,00 KG UNIT GROSS WEIGHT	COB LED	3.000°K WARM-WHITE	35°	1.530	85.00	<input type="checkbox"/> TEXTURED GREY <input type="checkbox"/> MATT WHITE (ON REQUEST) <input type="checkbox"/> MATT BLACK (ON REQUEST)

**POLES & ACCESSORIES**

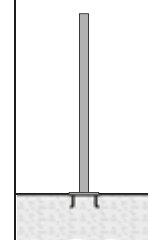
Full technical details of poles and accessories for poles are available at the end of the catalogue

**BURIED POLES**



CODE	HEIGHT MM.
809901	3.500
809902	4.500
809903	5.500
809908	ACC.

**POLES WITH BASE-PLATE**



CODE	HEIGHT MM.
809904	3.000
809905	4.000
809906	5.000
809907	ACC.
809908	ACC.

**805003 SINGLE HYDROFLASH POLE MAXI LED**

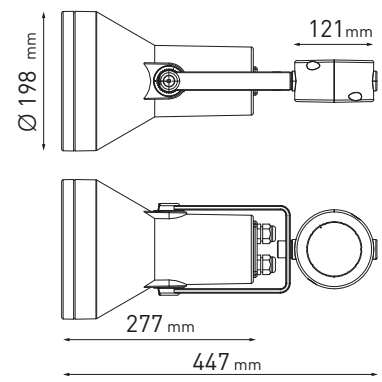
Round pole-mounted floodlight for outdoor installation on a pole diam. 60 mm or 76 mm. Phospho-chromatised and polyester powder coated die-cast copper-free aluminium body, tempered safety glass, moulded silicone gasket and stainless steel screws. Clamp for pole diam 60 mm or 76 mm included. Built-in LED driver 220-240V 50-60Hz, with 8 CREE XP-G3 high-power LED. IP65 rating.

**Energy Label** **A++**

- Material: high corrosion resistance die-cast copper-free aluminum body
- Coating: polyester powder coating with phosphochromating pre-finish
- NR. 8 CREE "XP-G3" LED
- Electronic transformer 220/240V 50/60Hz included
- Stainless steel screws
- Silicone rubber gasket
- Tempered safety glass.
- Double nickel-plated brass cable gland PG11
- 3 mt. neoprene power cable included



**1...10 V** **DALI**  
1-10 V DIMMABLE / DALI VERSION  
AVAILABLE ON REQUEST



AC-027 - ANTI-GLARE VISOR FOR HYDROFLASH MEDIUM GRADUATED STAINLESS STEEL INSERT

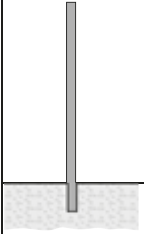
12 WATT  
220-240V 50-60HZ ELECTRONIC  
IP65  
4,00 KG UNIT GROSS WEIGHT

LIGHT SOURCE	LED COLOR*	LIGHT BEAM OPTIONS	LUMEN OUTPUT (lm)	LUMINOUS EFFICACY (lm/w)	COLORS OPTIONS
HIGH-POWER LED	3.000°K WARM-WHITE	M 10°	1.152	96.00	<input checked="" type="checkbox"/> TEXTURED GREY  <input type="checkbox"/> MATT WHITE (ON REQUEST)  <input type="checkbox"/> MATT BLACK (ON REQUEST)
		M 30°	1.095	91.25	
		M 45°	1.040	86.67	
	4.000°K NEUTRAL-WHITE	M 10°	1.200	100.00	
		M 30°	1.140	95.00	
		M 45°	1.083	90.25	

**POLES & ACCESSORIES**

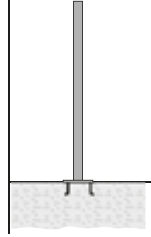
Full technical details of poles and accessories for poles are available at the end of the catalogue

**BURIED POLES**



CODE	HEIGHT MM.
809901	3.500
809902	4.500
809903	5.500
809908	ACC.

**POLES WITH BASE-PLATE**



CODE	HEIGHT MM.
809904	3.000
809905	4.000
809906	5.000
809907	ACC.
809908	ACC.

**805004 SINGLE HYDROFLASH POLE MAXI COB LED**

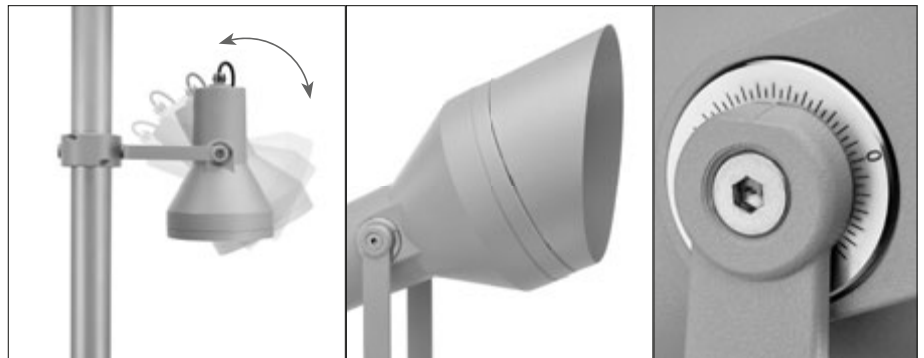
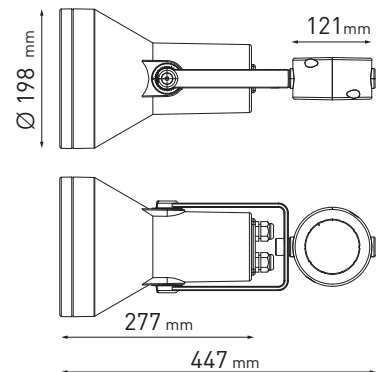
Round pole-mounted floodlight for outdoor installation on a pole diam. 60 mm or 76 mm. Phospho-chromatised and polyester powder coated die-cast copper-free aluminium body, tempered safety glass, moulded silicone gasket and stainless steel screws. Clamp for pole diam 60 mm or 76 mm included. Built-in LED driver 220-240V 50-60Hz, with 1 CREE CXB 2530 COB LED. IP65 rating.

**Energy Label** A++

- Material: high corrosion resistance die-cast copper-free aluminium body
- Coating: polyester powder coating with phosphochromating pre-finish
- NR. 1 CREE CXB 2530 LED
- Electronic transformer 220/240V 50/60Hz included
- Stainless steel screws
- Silicone rubber gasket
- Tempered safety glass.
- Double nickel-plated brass cable gland PG11
- 3 mt. neoprene power cable included





**1...10 V**   
1-10 V DIMMABLE / DALI VERSION  
AVAILABLE ON REQUEST



AC-027 - ANTI-GLARE VISOR FOR HYDROFLASH MEDIUM

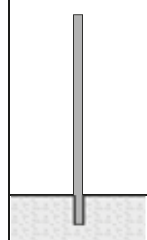
GRADUATED STAINLESS STEEL INSERT

	LIGHT SOURCE	LED COLOR*	LIGHT BEAM OPTIONS	LUMEN OUTPUT (lm)	LUMINOUS EFFICACY (lm/w)	COLORS OPTIONS
36 WATT 220-240V 50-60HZ ELECTRONIC IP65 4,00 KG UNIT GROSS WEIGHT	COB LED	 3.000°K WARM-WHITE	 35°	3.100	86.10	<div style="display: flex; flex-direction: column; gap: 5px;"> <div><span style="display: inline-block; width: 15px; height: 15px; background-color: grey; border: 1px solid black;"></span> TEXTURED GREY</div> <div><span style="display: inline-block; width: 15px; height: 15px; background-color: white; border: 1px solid black;"></span> MATT WHITE (ON REQUEST)</div> <div><span style="display: inline-block; width: 15px; height: 15px; background-color: black; border: 1px solid black;"></span> MATT BLACK (ON REQUEST)</div> </div>

**POLES & ACCESSORIES**

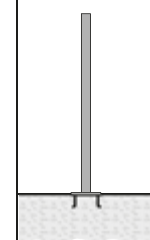
Full technical details of poles and accessories for poles are available at the end of the catalogue

**BURIED POLES**



CODE	HEIGHT MM.
809901	3.500
809902	4.500
809903	5.500
809908	ACC.

**POLES WITH BASE-PLATE**



CODE	HEIGHT MM.
809904	3.000
809905	4.000
809906	5.000
809907	ACC.
809908	ACC.



**805009 SINGLE HYDROFLASH POLE MEGA LED**



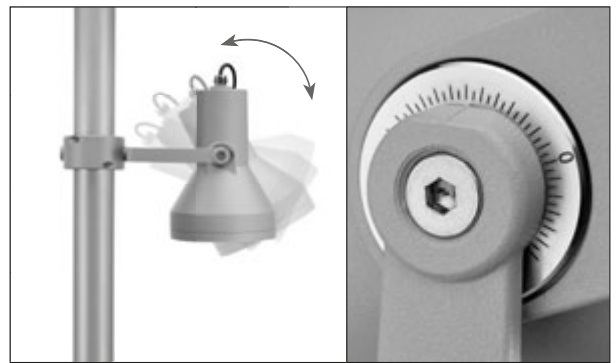
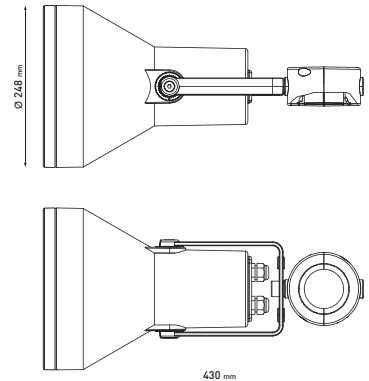
Round pole-mounted floodlight for outdoor installation on a pole diam. 60 mm or 76 mm. Phospho-chromatised and polyester powder coated die-cast copper-free aluminium body, tempered safety glass, moulded silicone gasket and stainless steel screws. Clamp for pole diam 60 mm or 76 mm included. Built-in LED driver 220-240V 50-60Hz, with 15 CREE XP-G2 high-power LED. IP65 rating.

**Energy Label** A++

- Material: high corrosion resistance die-cast copper-free aluminum body
- Coating: polyester powder coating with phosphochromating pre-finish
- NR. 15 CREE "XP-G2" LED
- Electronic transformer 220/240V 50/60Hz included
- Stainless steel screws
- Silicone rubber gasket
- Tempered safety glass.
- Double nickel-plated brass cable gland M20
- 3 mt. neoprene power cable included



**1...10 V** **DALI**  
1-10 V DIMMABLE / DALI VERSION  
AVAILABLE ON REQUEST



**GRADUATED STAINLESS STEEL INSERT**

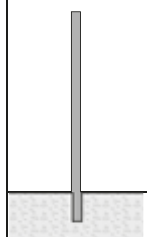
22 WATT  
220-240V 50-60HZ ELECTRONIC  
IP65  
5,50 KG UNIT GROSS WEIGHT

LIGHT SOURCE	LED COLOR*	LIGHT BEAM OPTIONS	LUMEN OUTPUT (lm)	LUMINOUS EFFICACY (lm/w)	COLORS OPTIONS
HIGH-POWER LED	3.000°K WARM-WHITE	M 10°	2.160	98.18	<input type="checkbox"/> TEXTURED GREY  <input type="checkbox"/> MATT WHITE (ON REQUEST)  <input type="checkbox"/> MATT BLACK (ON REQUEST)
		M 30°	2.052	93.27	
		M 45°	1.949	88.60	
	4.000°K NEUTRAL-WHITE	M 10°	2.250	102.28	
		M 30°	2.137	97.14	
		M 45°	2.030	92.27	

**POLES & ACCESSORIES**

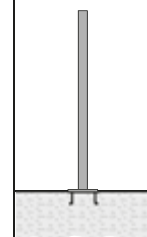
Full technical details of poles and accessories for poles are available at the end of the catalogue

**BURIED POLES**



CODE	HEIGHT MM.
809901	3.500
809902	4.500
809903	5.500
809909	ACC.

**POLES WITH BASE-PLATE**



CODE	HEIGHT MM.
809904	3.000
809905	4.000
809906	5.000
809907	ACC.
809909	ACC.





**805010 SINGLE HYDROFLASH POLE MEGA COB LED** **NEW**

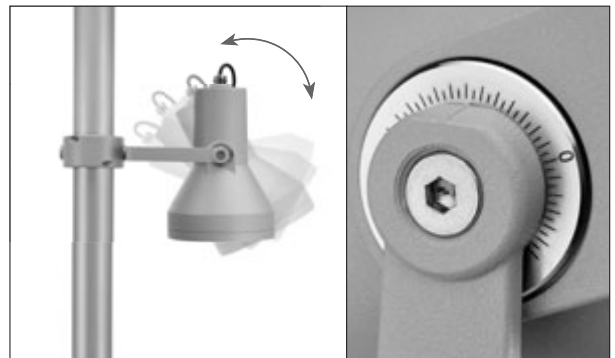
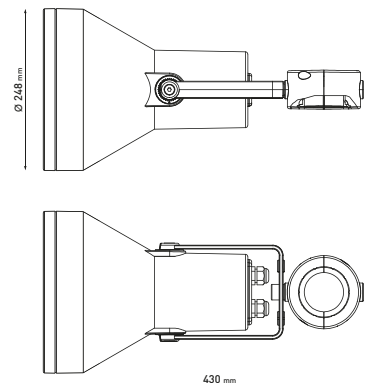
Round pole-mounted floodlight for outdoor installation on a pole diam. 60 mm or 76 mm. Phospho-chromatised and polyester powder coated die-cast copper-free aluminium body, tempered safety glass, moulded silicone gasket and stainless steel screws. Clamp for pole diam 60 mm or 76 mm included. Built-in LED driver 220-240V 50-60Hz, with 1 CREE CXB 3070 COB LED. IP65 rating.

**Energy Label** **A++**

- Material: high corrosion resistance die-cast copper-free aluminium body
- Coating: polyester powder coating with phosphochromating pre-finish
- NR. 1 CREE "CXB 3070" COB LED
- Electronic transformer 220/240V 50/60Hz included
- Stainless steel screws
- Silicone rubber gasket
- Tempered safety glass.
- Double nickel-plated brass cable gland M20
- 3 mt. neoprene power cable included



**1...10 V** **DALI**  
1-10 V DIMMABLE / DALI VERSION  
AVAILABLE ON REQUEST



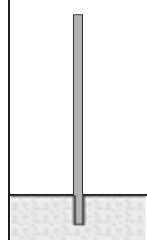
GRADUATED STAINLESS STEEL INSERT

	LIGHT SOURCE	LED COLOR*	LIGHT BEAM OPTIONS	LUMEN OUTPUT (lm)	LUMINOUS EFFICACY (lm/w)	COLORS OPTIONS
55 WATT 220-240V 50-60HZ ELECTRONIC IP65 5,50 KG UNIT GROSS WEIGHT	COB LED	3.000°K WARM-WHITE	35°	4.730	86.00	<input type="checkbox"/> TEXTURED GREY <input type="checkbox"/> MATT WHITE (ON REQUEST) <input type="checkbox"/> MATT BLACK (ON REQUEST)

**POLES & ACCESSORIES**

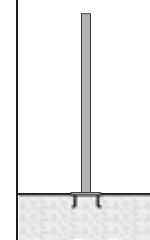
Full technical details of poles and accessories for poles are available at the end of the catalogue

**BURIED POLES**



CODE	HEIGHT MM.
809901	3.500
809902	4.500
809903	5.500
809909	ACC.

**POLES WITH BASE-PLATE**



CODE	HEIGHT MM.
809904	3.000
809905	4.000
809906	5.000
809907	ACC.
809909	ACC.

**805005 DOUBLE HYDROFLASH POLE MEDIUM LED**

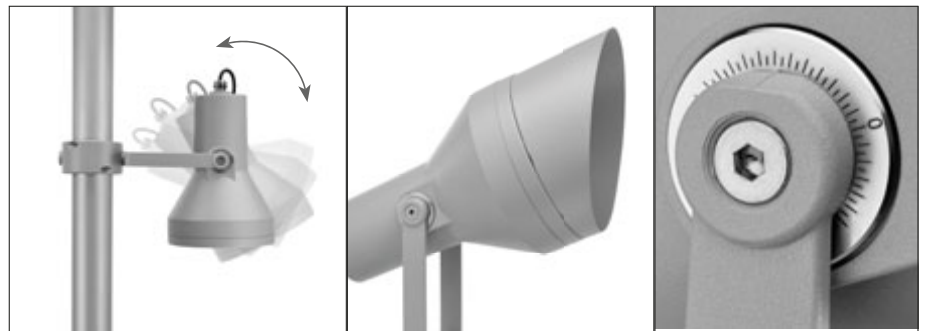
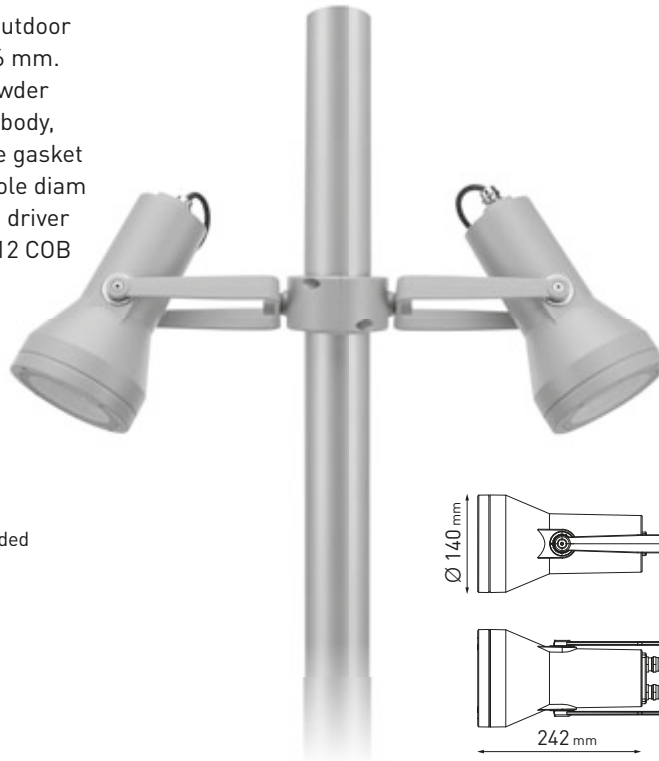
2 x Round pole-mounted floodlight for outdoor installation on a pole diam. 60 mm or 76 mm. Phospho-chromatised and polyester powder coated die-cast copper-free aluminium body, tempered safety glass, moulded silicone gasket and stainless steel screws. Clamp for pole diam 60 mm or 76 mm included. Built-in LED driver 220-240V 50-60Hz, with 1 CREE CXA 1512 COB LED. IP65 rating.



**1...10 V** **DALI**  
1-10 V DIMMABLE / DALI VERSION  
AVAILABLE ON REQUEST

**Energy Label** **A++**

- Material: high corrosion resistance die-cast copper-free aluminum body
- Coating: polyester powder coating with phosphochromating pre-finish
- NR. 2 x 5 CREE "XP-G2" LED
- Electronic transformer 220/240V 50/60Hz included
- Stainless steel screws
- Silicone rubber gasket
- Tempered safety glass.
- Double nickel-plated brass cable gland PG11
- 3 mt. neoprene power cable included



AC-026 - ANTI-GLARE VISOR FOR HYDROFLASH MEDIUM

GRADUATED STAINLESS STEEL INSERT

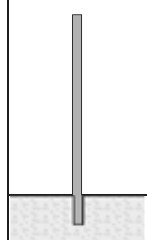
2 X 8 WATT  
220-240V 50-60HZ ELECTRONIC  
IP65  
5,60 KG UNIT GROSS WEIGHT

LIGHT SOURCE	LED COLOR*	LIGHT BEAM OPTIONS	LUMEN OUTPUT (lm)	LUMINOUS EFFICACY (lm/w)	COLORS OPTIONS
HIGH-POWER LED	3.000°K WARM-WHITE	10°	2 X 720	90.00	<input type="checkbox"/> TEXTURED GREY <input type="checkbox"/> MATT WHITE (ON REQUEST) <input type="checkbox"/> MATT BLACK (ON REQUEST)
		30°	2 X 684	85.50	
		45°	2 X 650	81.25	
	4.000°K NEUTRAL-WHITE	10°	2 X 750	93.75	
		30°	2 X 713	89.13	
		45°	2 X 677	84.63	

**POLES & ACCESSORIES**

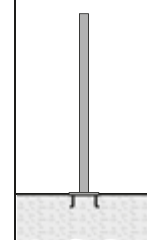
Full technical details of poles and accessories for poles are available at the end of the catalogue

**BURIED POLES**



CODE	HEIGHT MM.
809901	3.500
809902	4.500
809903	5.500
809908	ACC.

**POLES WITH BASE-PLATE**



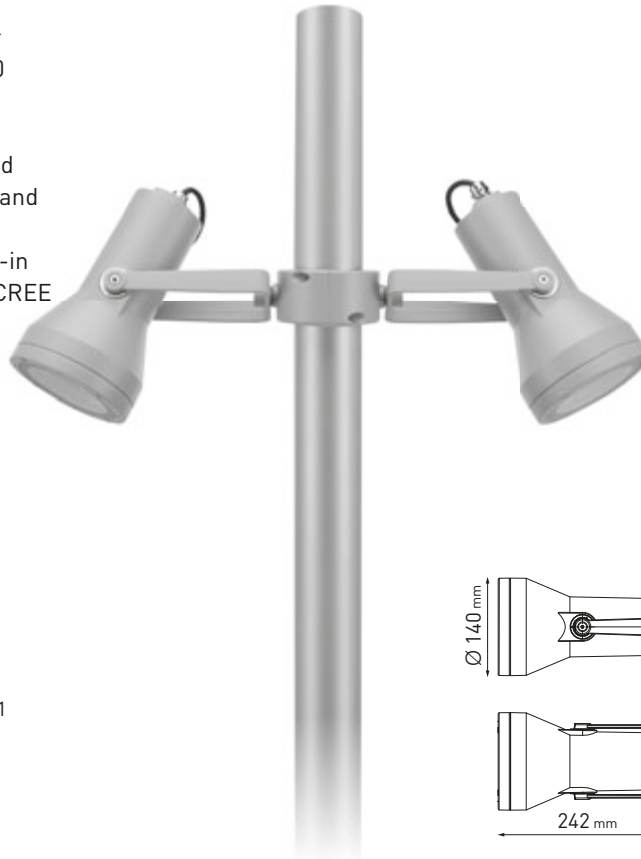
CODE	HEIGHT MM.
809904	3.000
809905	4.000
809906	5.000
809907	ACC.
809908	ACC.

**805006 DOUBLE HYDROFLASH POLE MEDIUM COB LED**

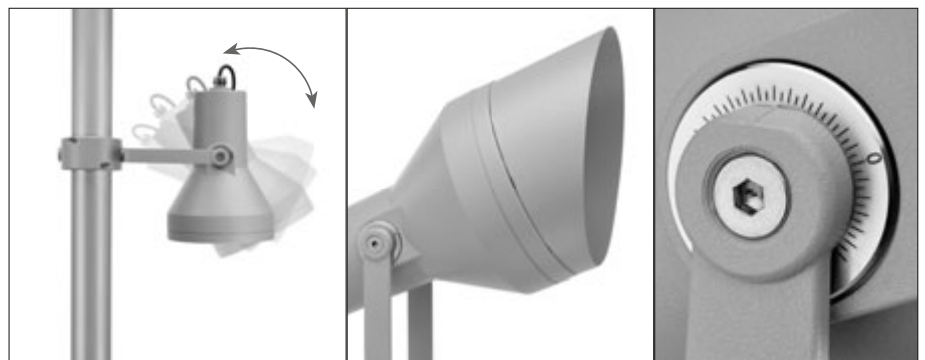
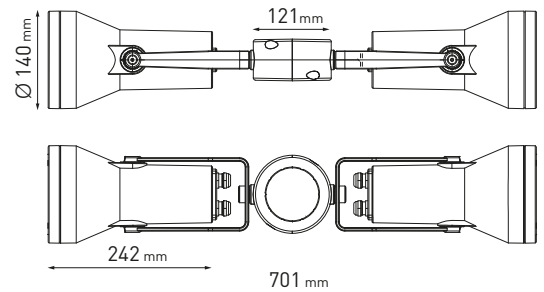
2 x Round pole-mounted floodlight for outdoor installation on a pole diam. 60 mm or 76 mm. Phospho-chromatised and polyester powder coated die-cast copper-free aluminium body, tempered safety glass, moulded silicone gasket and stainless steel screws. Clamp for pole diam 60 mm or 76 mm included. Built-in LED driver 220-240V 50-60Hz, with 1 CREE CXA 1512 COB LED. IP65 rating.

**Energy Label** **A++**

- Material: high corrosion resistance die-cast copper-free aluminum body
- Coating: polyester powder coating with phosphochromating pre-finish
- NR. 2 x 1 CREE CXA 1512 LED
- Electronic transformer 220/240V 50/60Hz included
- Stainless steel screws
- Silicone rubber gasket
- Tempered safety glass.
- Double nickel-plated brass cable gland PG11
- 3 mt. neoprene power cable included



1-10 V DIMMABLE / DALI VERSION  
AVAILABLE ON REQUEST



AC-026 - ANTI-GLARE VISOR FOR HYDROFLASH MEDIUM

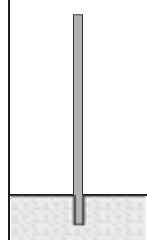
GRADUATED STAINLESS STEEL INSERT

	LIGHT SOURCE	LED COLOR*	LIGHT BEAM OPTIONS	LUMEN OUTPUT (lm)	LUMINOUS EFFICACY (lm/w)	COLORS OPTIONS
2 X 18 WATT 220-240V 50-60HZ ELECTRONIC IP65 5,60 KG UNIT GROSS WEIGHT	COB LED	3.000°K WARM-WHITE	35°	2 X 1.530	85.00	<input type="checkbox"/> TEXTURED GREY <input type="checkbox"/> MATT WHITE (ON REQUEST) <input type="checkbox"/> MATT BLACK (ON REQUEST)

**POLES & ACCESSORIES**

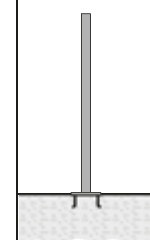
Full technical details of poles and accessories for poles are available at the end of the catalogue

**BURIED POLES**



CODE	HEIGHT MM.
809901	3.500
809902	4.500
809903	5.500
809908	ACC.

**POLES WITH BASE-PLATE**

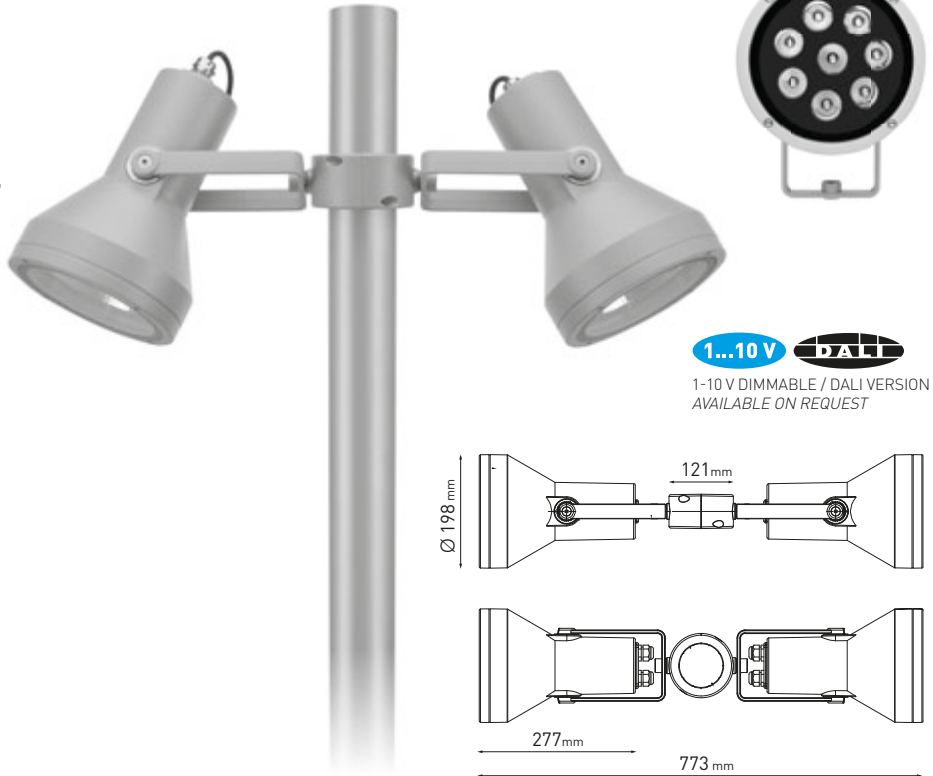


CODE	HEIGHT MM.
809904	3.000
809905	4.000
809906	5.000
809907	ACC.
809908	ACC.



**805007 DOUBLE HYDROFLASH POLE MAXI LED**

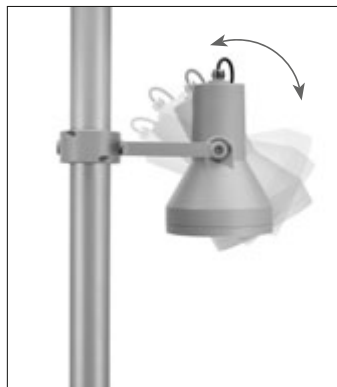
2 x Round pole-mounted floodlight for outdoor installation on a pole diam. 60 mm or 76 mm. Phospho-chromatised and polyester powder coated die-cast copper-free aluminium body, tempered safety glass, moulded silicone gasket and stainless steel screws. Clamp for pole diam 60 mm or 76 mm included. Built-in LED driver 220-240V 50-60Hz, with 8 CREE XP-G3 high-power LED. IP65 rating.



**Energy Label** A++

- Material: high corrosion resistance die-cast copper-free aluminum body
- Coating: polyester powder coating with phosphochromating pre-finish
- NR. 2 x 8 CREE "XP-G3" LED
- Electronic transformer 220/240V 50/60Hz included
- Stainless steel screws
- Silicone rubber gasket
- Tempered safety glass.
- Double nickel-plated brass cable gland PG11
- 3 mt. neoprene power cable included

**1...10 V** **DALI**  
1-10 V DIMMABLE / DALI VERSION  
AVAILABLE ON REQUEST



AC-027 - ANTI-GLARE VISOR FOR HYDROFLASH MEDIUM

GRADUATED STAINLESS STEEL INSERT

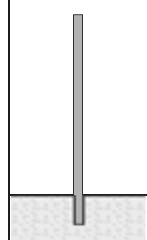
2 X 12 WATT  
220-240V 50-60HZ ELECTRONIC  
IP65  
7,50 KG UNIT GROSS WEIGHT

LIGHT SOURCE	LED COLOR*	LIGHT BEAM OPTIONS	LUMEN OUTPUT (lm)	LUMINOUS EFFICACY (lm/w)	COLORS OPTIONS
HIGH-POWER LED	3.000°K WARM-WHITE	M 10°	2 X 1.152	96.00	<input type="checkbox"/> TEXTURED GREY  <input type="checkbox"/> MATT WHITE (ON REQUEST)  <input checked="" type="checkbox"/> MATT BLACK (ON REQUEST)
		M 30°	2 X 1.095	91.25	
		M 45°	2 X 1.040	86.67	
	4.000°K NEUTRAL-WHITE	M 10°	2 X 1.200	100.00	
		M 30°	2 X 1.140	95.00	
		M 45°	2 X 1.083	90.25	

**POLES & ACCESSORIES**

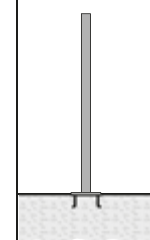
Full technical details of poles and accessories for poles are available at the end of the catalogue

**BURIED POLES**



CODE	HEIGHT MM.
809901	3.500
809902	4.500
809903	5.500
809908	ACC.

**POLES WITH BASE-PLATE**



CODE	HEIGHT MM.
809904	3.000
809905	4.000
809906	5.000
809907	ACC.
809908	ACC.

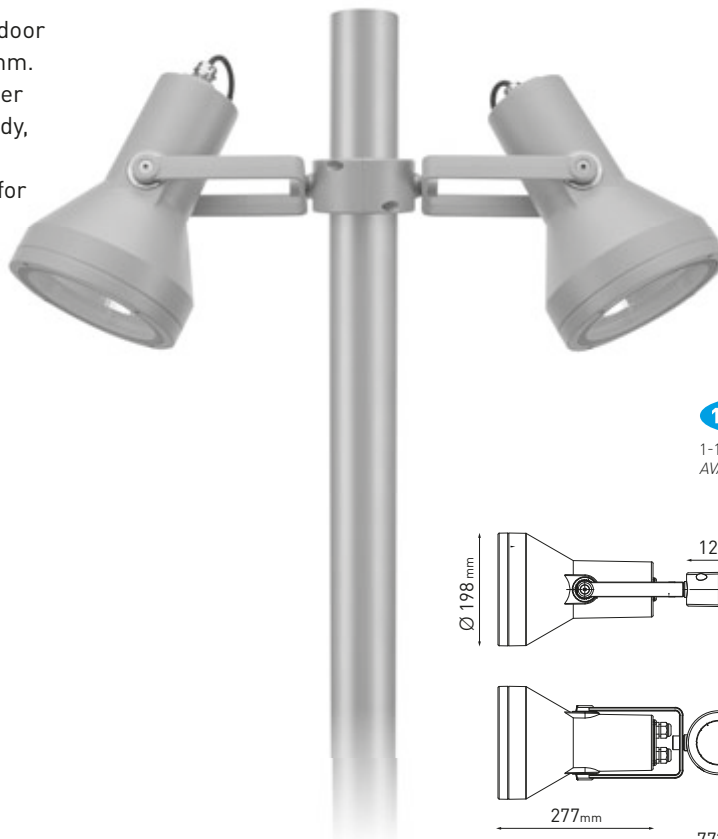


**805008 DOUBLE HYDROFLASH POLE MAXI COB LED**

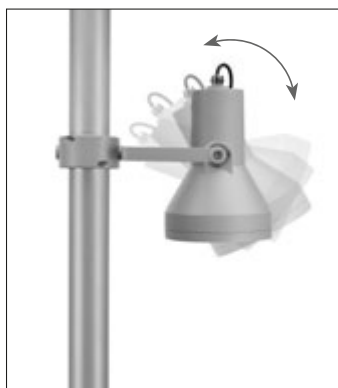
2 x Round pole-mounted floodlight for outdoor installation on a pole diam. 60 mm or 76 mm. Phospho-chromatised and polyester powder coated die-cast copper-free aluminium body, tempered safety glass, moulded silicone gasket and stainless steel screws. Clamp for pole diam 60 mm or 76 mm included. Built-in LED driver 220-240V 50-60Hz, with 1 CREE CXB 2530 COB LED. IP65 rating.

**Energy Label** A++

- Material: high corrosion resistance die-cast copper-free aluminum body
- Coating: polyester powder coating with phosphochromating pre-finish
- NR. 2 x 1 CREE CXb 2530 LED
- Electronic transformer 220/240V 50/60Hz included
- Stainless steel screws
- Silicone rubber gasket
- Tempered safety glass.
- Double nickel-plated brass cable gland PG11
- 3 mt. neoprene power cable included



**1...10V** **DALI**  
1-10 V DIMMABLE / DALI VERSION  
AVAILABLE ON REQUEST



AC-027 - ANTI-GLARE VISOR FOR HYDROFLASH MEDIUM

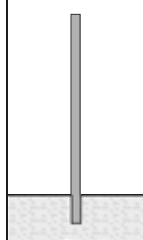
GRADUATED STAINLESS STEEL INSERT

	LIGHT SOURCE	LED COLOR*	LIGHT BEAM OPTIONS	LUMEN OUTPUT (lm)	LUMINOUS EFFICACY (lm/w)	COLORS OPTIONS
2 X 36 WATT 220-240V 50-60HZ ELECTRONIC IP65 7,50 KG UNIT GROSS WEIGHT	COB LED	3.000°K WARM-WHITE	35°	2 X 3.100	86.10	<div style="display: flex; flex-direction: column; gap: 5px;"> <div><span style="display: inline-block; width: 15px; height: 15px; background-color: grey; border: 1px solid black;"></span> TEXTURED GREY</div> <div><span style="display: inline-block; width: 15px; height: 15px; background-color: white; border: 1px solid black;"></span> MATT WHITE (ON REQUEST)</div> <div><span style="display: inline-block; width: 15px; height: 15px; background-color: black; border: 1px solid black;"></span> MATT BLACK (ON REQUEST)</div> </div>

**POLES & ACCESSORIES**

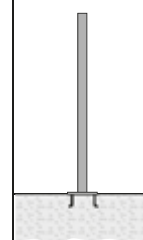
Full technical details of poles and accessories for poles are available at the end of the catalogue

**BURIED POLES**



CODE	HEIGHT MM.
809901	3.500
809902	4.500
809903	5.500
809908	ACC.

**POLES WITH BASE-PLATE**



CODE	HEIGHT MM.
809904	3.000
809905	4.000
809906	5.000
809907	ACC.
809908	ACC.

**805011 DOUBLE HYDROFLASH POLE MEGA LED** **NEW**

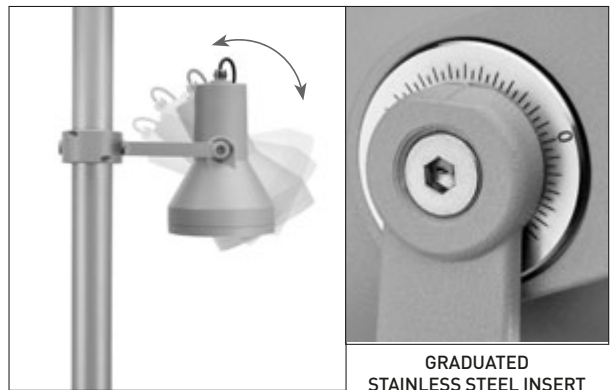
2 x Round pole-mounted floodlight for outdoor installation on a pole diam. 60 mm or 76 mm. Phospho-chromatised and polyester powder coated die-cast copper-free aluminium body, tempered safety glass, moulded silicone gasket and stainless steel screws. Clamp for pole diam 60 mm or 76 mm included. Built-in LED driver 220-240V 50-60Hz, with 15 CREE XP-G2 high-power LED. IP65 rating.

**Energy Label** **A++**

- Material: high corrosion resistance die-cast copper-free aluminum body
- Coating: polyester powder coating with phosphochromating pre-finish
- NR. 2 x 15 CREE "XP-G2" LED
- Electronic transformer 220/240V 50/60Hz included
- Stainless steel screws
- Silicone rubber gasket
- Tempered safety glass.
- Double nickel-plated brass cable gland PG11
- 3 mt. neoprene power cable included



**1...10 V** **DALI**  
1-10 V DIMMABLE / DALI VERSION  
AVAILABLE ON REQUEST



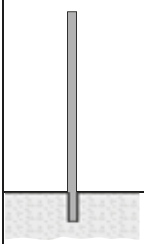
2 X 22 WATT  
220-240V 50-60HZ ELECTRONIC  
IP65  
10,50 KG UNIT GROSS WEIGHT

LIGHT SOURCE	LED COLOR*	LIGHT BEAM OPTIONS	LUMEN OUTPUT (lm)	LUMINOUS EFFICACY (lm/w)	COLORS OPTIONS
HIGH-POWER LED	3.000°K WARM-WHITE	M 10°	2 X 2.160	98.18	<input type="checkbox"/> TEXTURED GREY  <input type="checkbox"/> MATT WHITE (ON REQUEST)  <input checked="" type="checkbox"/> MATT BLACK (ON REQUEST)
		M 30°	2 X 2.052	93.27	
		M 45°	2 X 1.949	88.60	
	4.000°K NEUTRAL-WHITE	M 10°	2 X 2.250	102.28	
		M 30°	2 X 1.137	97.14	
		M 45°	2 X 2.030	92.27	

**POLES & ACCESSORIES**

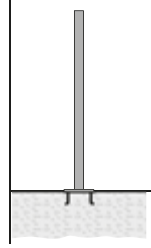
Full technical details of poles and accessories for poles are available at the end of the catalogue

**BURIED POLES**



CODE	HEIGHT MM.
809901	3.500
809902	4.500
809903	5.500
809909	ACC.

**POLES WITH BASE-PLATE**



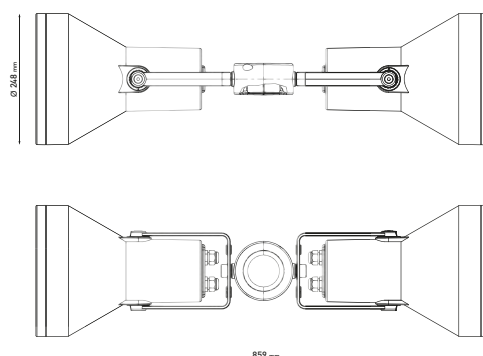
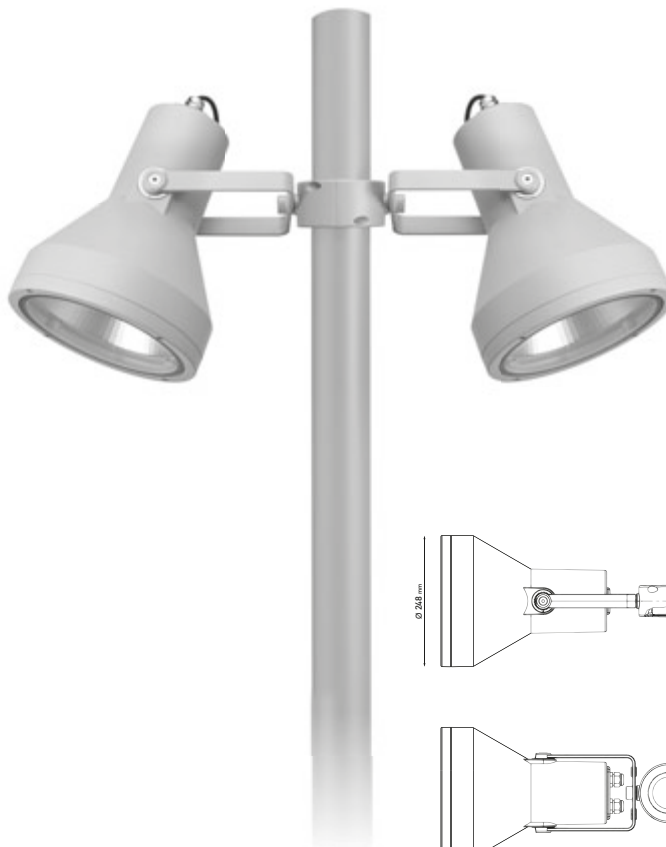
CODE	HEIGHT MM.
809904	3.000
809905	4.000
809906	5.000
809907	ACC.
809909	ACC.

**805012 DOUBLE HYDROFLASH POLE MEGA COB LED** **NEW**

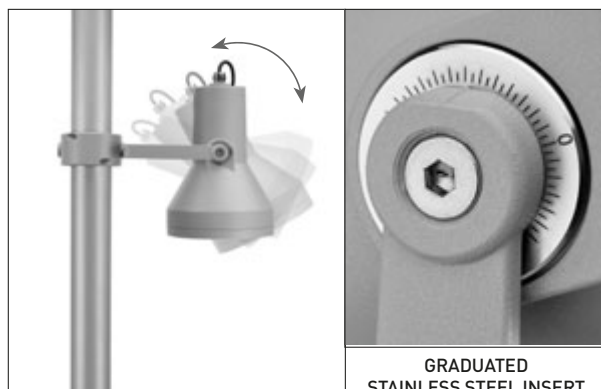
2 x Round pole-mounted floodlight for outdoor installation on a pole diam. 60 mm or 76 mm. Phospho-chromatised and polyester powder coated die-cast copper-free aluminium body, tempered safety glass, moulded silicone gasket and stainless steel screws. Clamp for pole diam 60 mm or 76 mm included. Built-in LED driver 220-240V 50-60Hz, with 1 CREE CXB 3070 COB LED. IP65 rating.

**Energy Label** **A++**

- Material: high corrosion resistance die-cast copper-free aluminum body
- Coating: polyester powder coating with phosphochromating pre-finish
- NR. 2 x 1 CREE "CXB 3070" COB LED
- Electronic transformer 220/240V 50/60Hz included
- Stainless steel screws
- Silicone rubber gasket
- Tempered safety glass.
- Double nickel-plated brass cable gland PG11
- 3 mt. neoprene power cable included



**1...10 V** **DALI**  
1-10 V DIMMABLE / DALI VERSION  
AVAILABLE ON REQUEST



	LIGHT SOURCE	LED COLOR*	LIGHT BEAM OPTIONS	LUMEN OUTPUT (lm)	LUMINOUS EFFICACY (lm/w)	COLORS OPTIONS
2 X 55 WATT 220-240V 50-60HZ ELECTRONIC IP65 10,50 KG UNIT GROSS WEIGHT	COB LED	3.000°K WARM-WHITE	35°	2 X 4.730	86.00	<input checked="" type="checkbox"/> TEXTURED GREY <input type="checkbox"/> MATT WHITE (ON REQUEST) <input type="checkbox"/> MATT BLACK (ON REQUEST)

**POLES & ACCESSORIES**

Full technical details of poles and accessories for poles are available at the end of the catalogue

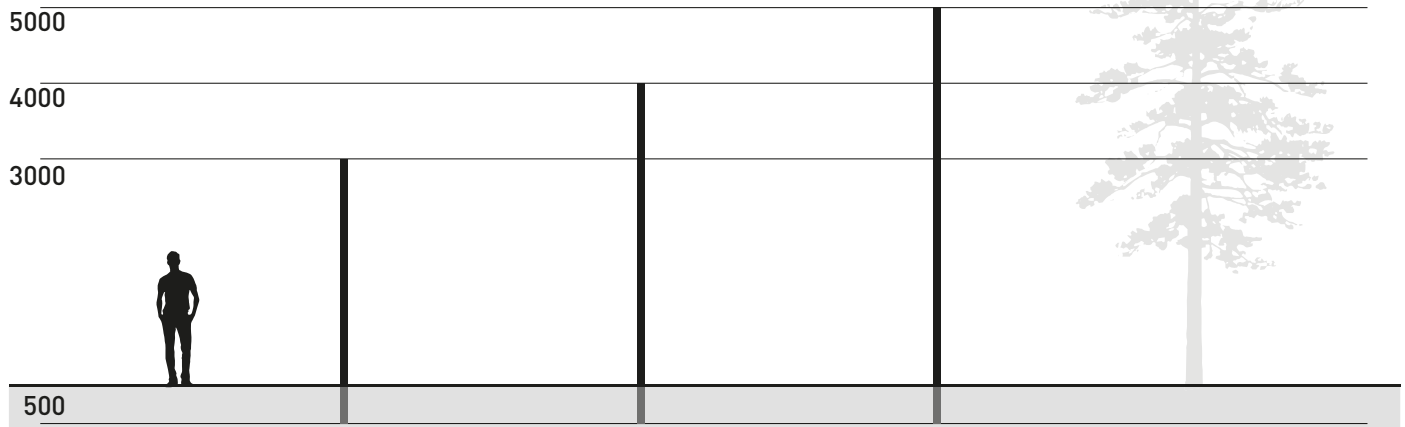
**BURIED POLES**

CODE	HEIGHT MM.
809901	3.500
809902	4.500
809903	5.500
809909	ACC.

**POLES WITH BASE-PLATE**

CODE	HEIGHT MM.
809904	3.000
809905	4.000
809906	5.000
809907	ACC.
809909	ACC.

**POLES BURIED POLES**



**809901**

**CYLINDRICAL POLE 3,5 M.**  
**TO BE BURIED**

Cylindrical pole made in steel S235JR (UNI EN 10219) hot galvanized (UNI EN 1461), **diameter 76 mm, thickness 4 mm.** Phospho-chromatised and polyester powder coated.  
**Total height 3.500 mm, including 500 mm** to be buried into the ground. Includes IP54 cover plate 132x38 mm and terminal block in double insulation.

**809902**

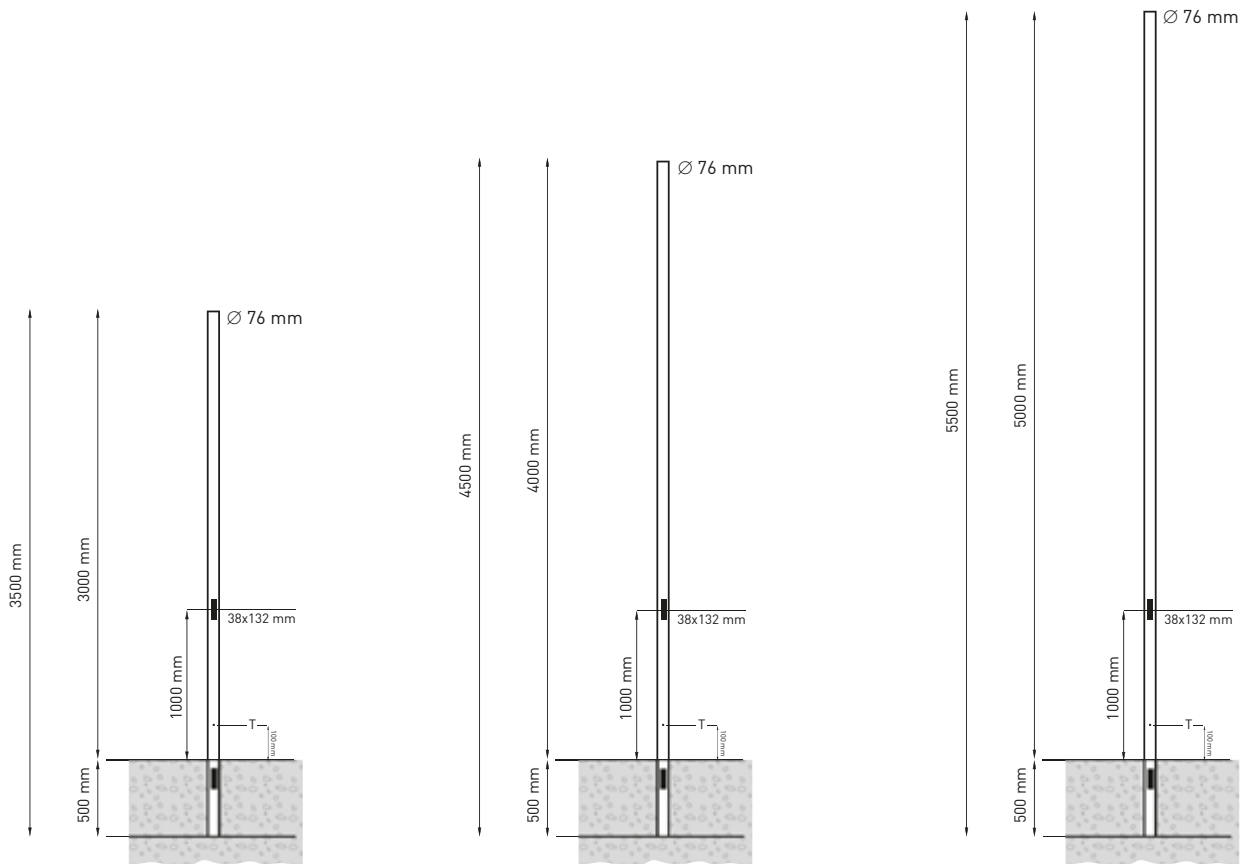
**CYLINDRICAL POLE 4,5M.**  
**TO BE BURIED**

Cylindrical pole made in steel S235JR (UNI EN 10219) hot galvanized (UNI EN 1461), **diameter 76 mm, thickness 4 mm.** Phospho-chromatised and polyester powder coated.  
**Total height 4.500 mm, including 500 mm** to be buried into the ground. Includes IP54 cover plate 132x38 mm and terminal block in double insulation.

**809903**

**CYLINDRICAL POLE 5,5 M.**  
**TO BE BURIED**

Cylindrical pole made in steel S235JR (UNI EN 10219) hot galvanized (UNI EN 1461), **diameter 76 mm, thickness 4 mm.** Phospho-chromatised and polyester powder coated.  
**Total height 5.500 mm, including 500 mm** to be buried into the ground. Includes IP54 cover plate 132x38 mm and terminal block in double insulation.

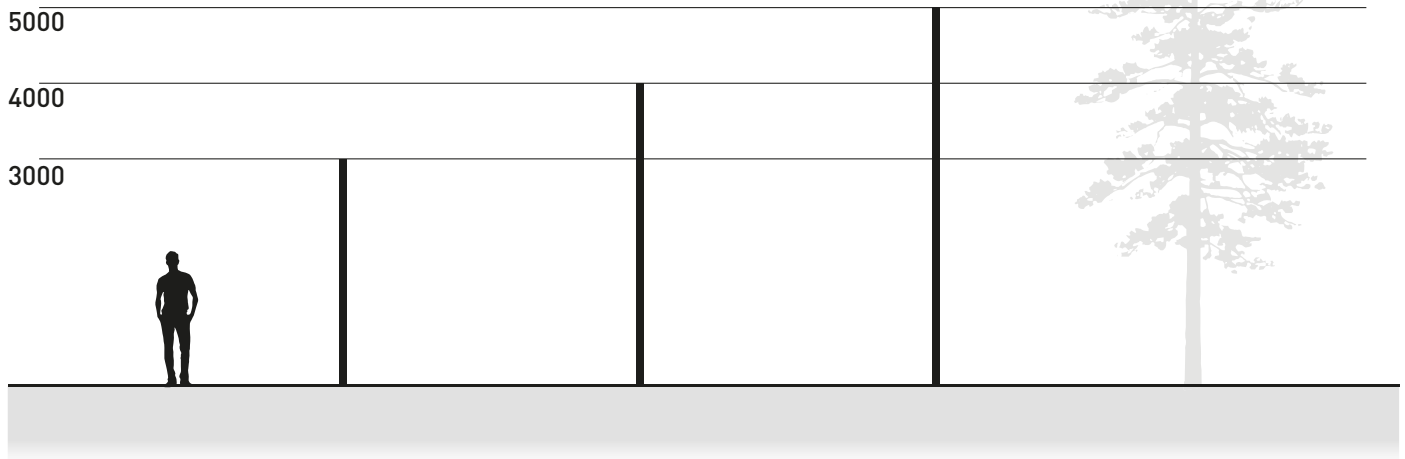


T= GROUNDING, THREADED GALVANIZED INSERT  
POLE THICKNESS= 4MM

T= GROUNDING, THREADED GALVANIZED INSERT  
POLE THICKNESS= 4MM

T= GROUNDING, THREADED GALVANIZED INSERT  
POLE THICKNESS= 4MM

**POLES POLES WITH BASE-PLATE**



**809904 CYLINDRICAL POLE 3 M.  
WITH BASE-PLATE**

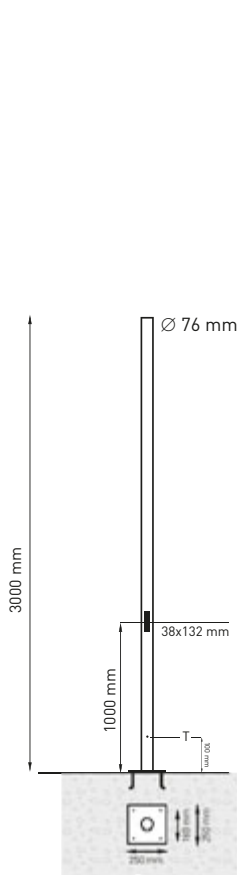
Cylindrical pole made in steel S235JR (UNI EN 10219) hot galvanized (UNI EN 1461), **diameter 76 mm, thickness 4 mm.** Phospho-chromatised and polyester powder coated. **Total height 3.000 mm, with base plate dim. 250x250 mm,** thickness 10 mm. Includes IP54 cover plate 132x38 mm and terminal block in double insulation.

**809905 CYLINDRICAL POLE 4 M.  
WITH BASE-PLATE**

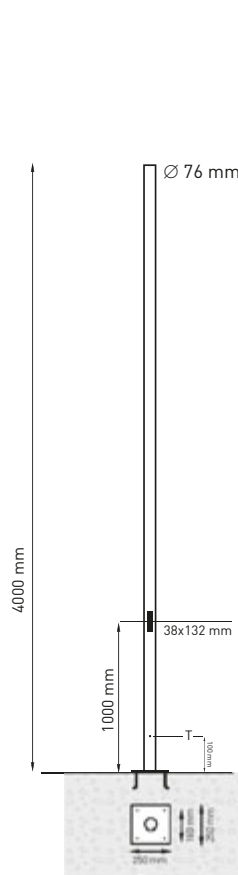
Cylindrical pole made in steel S235JR (UNI EN 10219) hot galvanized (UNI EN 1461), **diameter 76 mm, thickness 4 mm.** Phospho-chromatised and polyester powder coated. **Total height 4.000 mm, with base plate dim. 250x250 mm,** thickness 10 mm. Includes IP54 cover plate 132x38 mm and terminal block in double insulation.

**809906 CYLINDRICAL POLE 5 M.  
WITH BASE-PLATE**

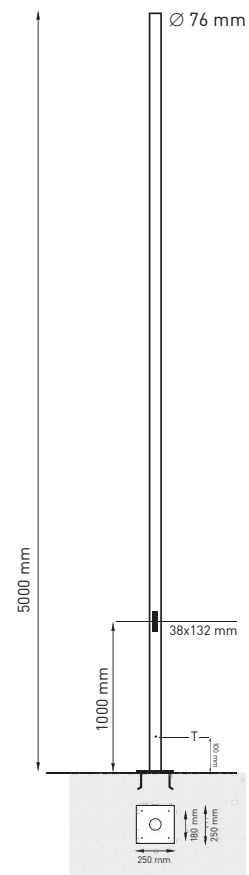
Cylindrical pole made in steel S235JR (UNI EN 10219) hot galvanized (UNI EN 1461), **diameter 76 mm, thickness 4 mm.** Phospho-chromatised and polyester powder coated. **Total height 5.000 mm, with base plate dim. 250x250 mm,** thickness 10 mm. Includes IP54 cover plate 132x38 mm and terminal block in double insulation.



T= GROUNDING, THREADHED GALVANIZED INSERT  
POLE THICKNESS= 4MM



T= GROUNDING, THREADHED GALVANIZED INSERT  
POLE THICKNESS= 4MM



T= GROUNDING, THREADHED GALVANIZED INSERT  
POLE THICKNESS= 4MM













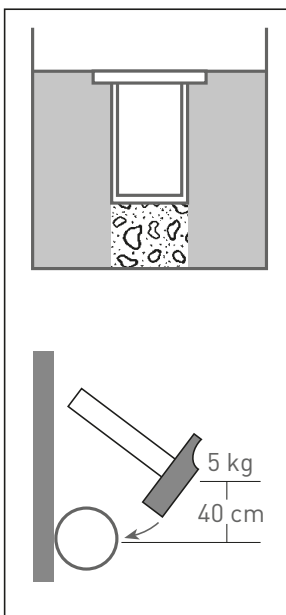
## ELEMENTS TO CONSIDER IN A NEW (OR EXISTING) LIGHTING PROJECT

### IP protective degree (IEC 529 & EN 60529 norms)

IP 1...	Protected against the entry of solid bodies with dimensions of more than 50 mm.	IP ...0	Unprotected.
IP 2...	Protected against the entry of solid bodies with dimensions of more than 12 mm.	IP ...1	Protected against the vertical falling of water drops.
IP 3...	Protected against the entry of solid bodies with dimensions of more than 2,5 mm.	IP ...2	Protected against the falling of water with a maximum inclination of 15°.
IP 4...	Protected against the entry of solid bodies with dimensions of more than 1 mm.	IP ...3	 Protected against rain.
IP 5... 	Protected against entry of dust.	IP ...4	 Protected against sprinklings.
IP 6... 	Completely protected against entry of dust.	IP ...5	 Protected against water jets.
		IP ...6	Protected against heavy waves.
		IP ...7	 Temporary immersion proof.
		IP ...8	Immersion.

### WARNING. UNLESS OTHERWISE SPECIFIED ARTICLES IN THIS CATALOGUE ARE NOT FOR PERMANENT AND CONTINUOUS IMMERSION IN WATER.

Some fittings, although classified and tested IP 68 cannot be installed permanently in water according to international norms IEC364-7-702 (max 12 V A.C. or 30 V D.C. in water). They can only withstand (resist) accidental immersion of 1,3 m depth due to temporary flooding.



### Mechanical shock (CEI EN 50102 norms)

Protection of the hardware against the mechanical shocks.  
Test: shock resistance from a hammer of 5 kg falling from 0,40 m.  
Intensity of shock: 20 Joules = IK 10.

**WARNING:** in all ground lighting fittings installation, at least a 20 cm depth drain hole filled by gravel must be made to prevent flooding.

**Use H07RN-F cables only. Other kind of cables may not be conformed to assure the IP 67 or IP 68 rating.**

### Shock resistance CEI EN 50102

IK00	
IK01	0,15 J
IK02	0,2 J
IK03	0,35 J
IK04	0,5 J
IK05	0,7 J
IK06	1 J
IK07	2 J
IK08	5 J
IK09	10 J
IK10	20 J

### WARNING!

SOME CHEMICAL SUBSTANCES, LIQUIDS OR VAPOUR, MAY CAUSE CORROSION/DAMAGES ON METAL PARTS OF THE FITTINGS.  
VERIFY THE PRESENCE OF THESE SUBSTANCES WHEN INSTALLING THE PRODUCTS AND THE COMPATIBILITY WITH SUCH SUBSTANCES.  
STAINLESS STEEL SURFACES COULD BE DAMAGED BY: SODIUM HYDROXIDE (SODA), LIQUID CHLORINE OR VAPOUR, HYDROCHLORIC ACID, NITRIC ACID (20%), SULPHURIC ACID (30%).

DIE-CAST ALUMINIUM COULD BE DAMAGED BY: ARSENIC ACID (20%), ACETIC ACID, HYDROCHLORIC ACID, FORMIC ACID, NITRIC ACID (20%), SULPHURIC ACID (30%), QUICKLIME, SODIUM HYDROXIDE (SODA).  
SUGGESTION: VERY IMPORTANT IS TO REGULARLY CLEAN THE FITTING SURFACES. AT LEAST ONCE A YEAR OR DURING BULB REPLACEMENT. CLEANING COULD BE MADE WITH DILUTED SOAP OR DETERGENT. IN ANY CASE DO NOT USE SOLVENT OR ETHYLENE BASE PRODUCTS.



## Guarantee terms

**puk.**<sup>®</sup> **Italia Group** guarantees the performance of its products only and exclusively in relation to how they are used, their destination and application as explicitly specified.

### **THE GUARANTEE OF THE PRODUCTS HAS A 5 YEAR VALIDITY STARTING FROM THE DATE OF DELIVERY TO THE PURCHASER.**

Any claims must be forwarded in writing to **puk.**<sup>®</sup> **Italia Group** together with a copy of the purchase invoice complete with delivery date, description of the fault and number of products that are faulty.

**puk.**<sup>®</sup> **Italia Group**, according to its indisputable choice will arrange either to repair or replace them within a reasonable period of time from the claim. Returned faulty goods will be accepted by **puk.**<sup>®</sup> **Italia Group** only if previously authorised in writing, correctly forwarded, suitably packed and with transport prepaid.

This guarantee does not cover further expenses sustained by the Purchaser consequent to the faulty condition of the products; in particular **puk.**<sup>®</sup> **Italia Group** will not bear the cost of collecting the faulty products from customers (including cost of dismantling) and forwarding of replacement products to them.

Any responsibility on the part of **puk.**<sup>®</sup> **Italia Group** is explicitly excluded in the following cases:

- use, assembly and/or improper or unreasonable maintenance of the products, and/or their correct preservation;
- if damage or bad functioning is caused by work carried out on products without prior written authorisation from **puk.**<sup>®</sup> **Italia Group** (e.g. disassembly, alterations, substitutions, etc.);
- if the quality and performance have been compromised by the addition of accessories not approved by **puk.**<sup>®</sup> **Italia Group**.

This guarantee includes and replaces every other possible responsibility stemming from the products supplied, no matter how it originated: in particular the Purchaser cannot claim damages, reduction in prices or cancellation of the contract. In no case will **puk.**<sup>®</sup> **Italia Group** be responsible for indirect damage or loss of profit.

The Law Court in Monza is the sole competent Court for any disputes.





**NOVOSIBIRSK MARRIOT HOTEL**

Location: Novosibirsk, Russia

PUK products:



**105003**  
**Hydroscape LED**



**201034**  
**Hydrofloor**  
**Maxi Performance LED**



**BELLAGIO VILLAGE**  
Location: Onno, Italy

PUK products:



**201012**  
HYDROFLOOR MINI  
PERFORMANCE LED



**603002**  
HYDROWAY MINI  
SQUARE LED



PUK ITALIA GROUP  
Via San Giorgio, 16  
20851 Lissone (MB) Italy  
Tel. +39 039 2457920  
Fax + 39 039 2457924  
puk@puk.it  
www.puk.it

