



# LED & ARCHITECTURAL L I G H T I N G

# NEWS 2015

# PROTAGON

Preliminary



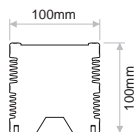
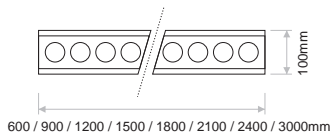
## PROTAGON RGBW LED Wall Washer Series

Lightsources by  
**CREE**

- **Unit pitch:** 6 cm. Pitch is maintained between luminaires.
- **Control:** DMX-512. Galvanic isolated.
- **DMX Resolution:** Normal (8bit), High (16bit).
- **Dimming Steps:** 65535 steps, for very smooth dimming.
- **DMX Channels:** User selectable from 2 channels (for all groups) up to 5 channels /per group.
- **Dimming Method:** DC current. No PWM, for true flicker free operation. Ideal for studio use.
- **Dimming Curves:** Linear, Logarithmic, Square.
- **Gamma correction:** Yes. From 2,5 to 1/2,5 in steps of 0,1.
- **Anti-glare:** Optional Anti-glare accessory.
- **Setup:** From external Setup Programmer.
- **Over temperature protection:** The wattage of the LED is automatically readjusted in case the temperature exceeds safety levels.
- **Ingress Protection:** IP66
- **Connectors:** Input, Output connectors for power supply and DMX signal.
- **Power Factor:** >0,98
- **Operation Ambient temperature:** -40°C / +50°C.

Model	Power Consumption - Length	Colour*	Luminaire Colour	Beam Angle	Operating Voltage	IP
<b>PROTAGON</b> (PROTAGON)	(120W060) 120W / 60cm	[RGBW] RGBW [2765] 2700-6500K [RD] RED [GR] GREEN [BL] BLUE [AM] AMBER	[GR] Grey	[26] 26° [11] 11° [14] 14° [74] 40°	[A2] 90-277VAC 50-60Hz	[66] IP66
	(180W090) 180W / 90cm					
	(240W120) 240W / 120cm					
	(300W150) 300W / 150cm					
	(360W180) 360W / 180cm					
	(420W210) 420W / 210cm					
	(480W240) 480W / 240cm					
	(600W300) 600W / 300cm					

\* Available in AWBR, RGBA & more combinations upon request.  
\*\* Available in Black colour housing upon request.



Create your own PROTAGON with any combination of the above options.

Ordering Code Example:

PROTAGON - 240W120 - RGBW - GR - 14 - A2 - 66

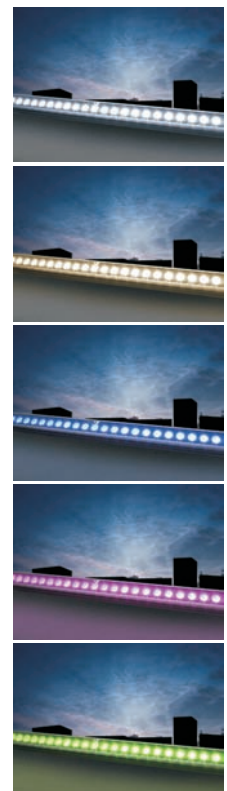
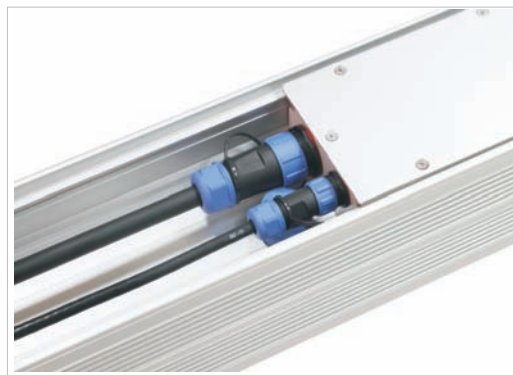
Model | Power Consumption - Length | Colour | Beam Angle | Operating Voltage | IP



LED Outdoor  
LED Washers

# PROTAGON

*Preliminary*

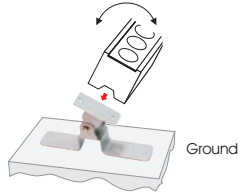


Light source Luminous Flux (lm) :

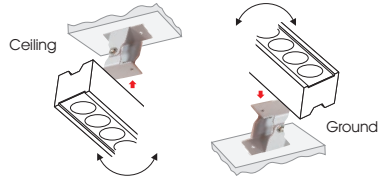
Length	60cm	90cm	120cm	150cm	180cm	210cm	240cm	300cm
<b>Red</b>	980	1470	1960	2450	2940	3430	3920	4900
<b>Green</b>	1440	2160	2880	3600	4320	5040	5760	7200
<b>Blue</b>	260	390	520	650	780	910	1040	1300
<b>White</b>	1520	2280	3040	3800	4560	5320	6080	7600
<b>Total</b>	4200	6300	8400	10500	12600	14700	16800	21000

# PROTAGON INSTALLATION BRACKETS

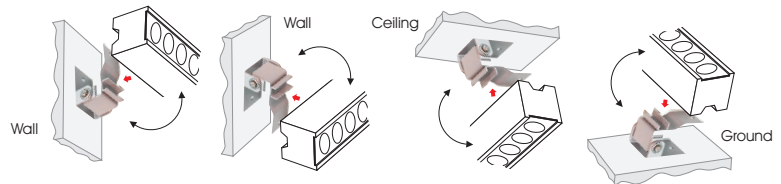
## 1. Movable Ground Bracket



## 2. Fixed Ceiling or Ground Bracket



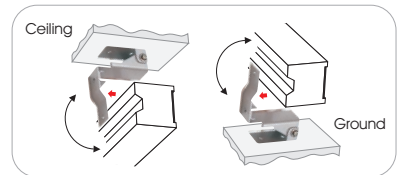
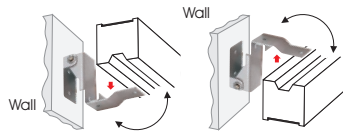
## 3. Fixed Back Bracket for Wall, Ceiling or Ground Installation



## 4. Fixed 10cm Wall Bracket Type A & Type B



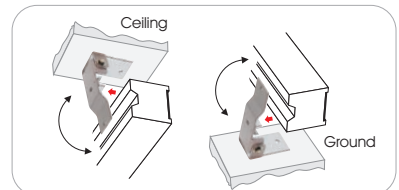
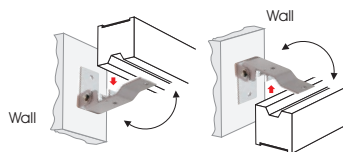
Type A



**Note:**  
 Can be used for permanent installation in ceiling or ground

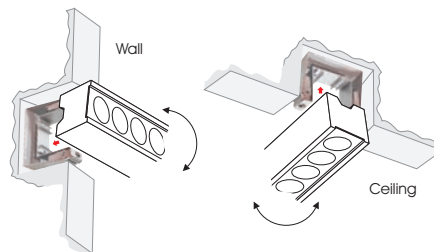


Type B

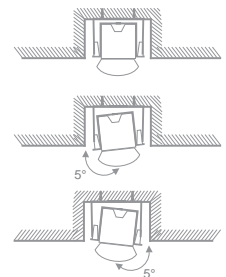


**Note:**  
 Can be used for permanent installation in ceiling or ground

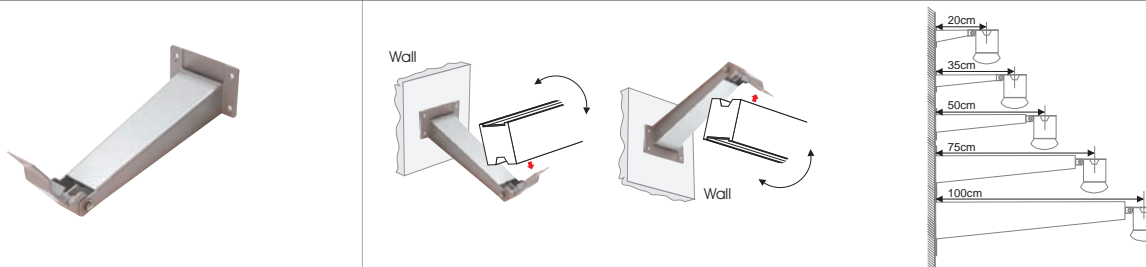
## 5. Recessed Bracket ±5°



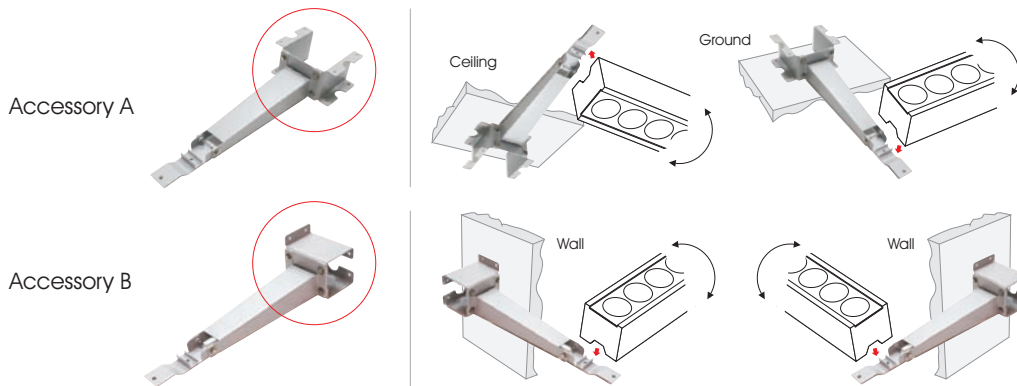
**Note:** Not for Inground Installation



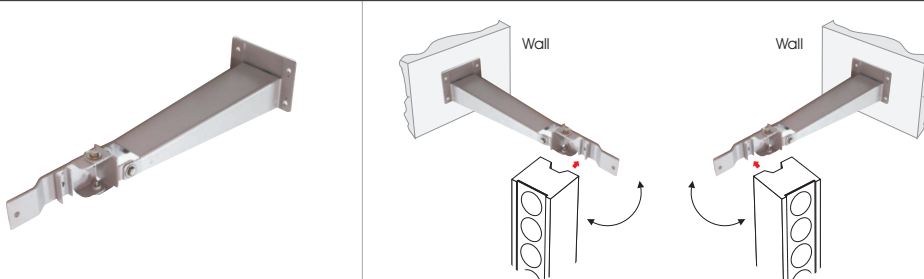
6. Fixed 20 ,35 ,50 ,75 ,100cm Wall Bracket



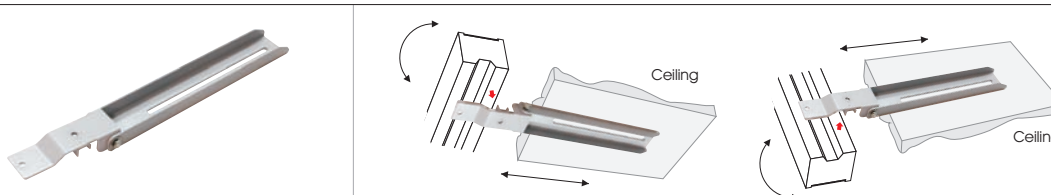
Accessories for other ways of installing 35 ,50 ,75 ,100cm Wall Bracket



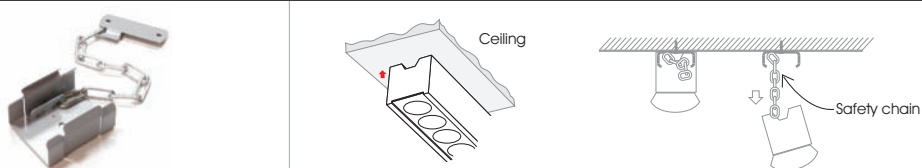
7. Adaptor for Vertical Wall Installation



8. Slide Bracket



9. Clip with Safety Chain for Surface Mounting Installation



10.

Antiglare Accessory





11. DMX SET UP Programmer



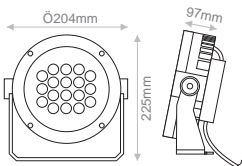
# CURVE



Lightsources by  
**OSRAM**

Code	No.LED	Colour Temperature	Watt	Typical Luminance(lm)	Input Voltage (V)	 *	IK rate	
<b>ARL.074</b>	18	RGB in one chip	52W	1076 lm	24VDC	30°	09	IP65
<b>ARL.038</b>	18	COOL WHITE	36W	2529 lm	24VDC	20°	09	IP65
<b>ARL.039</b>	18	WARM WHITE	36W	1927 lm	24VDC	20°	09	IP65

\*Available in 6°,13° and 30° upon request.





LED Outdoor  
LED Recessed / Inground

# GRAVITO XL ROUND

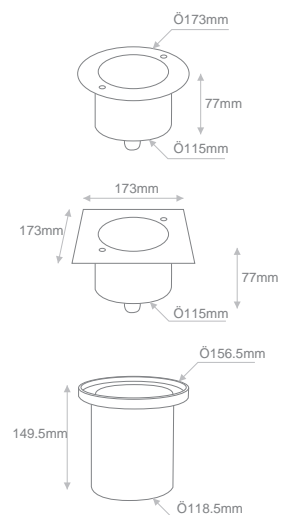
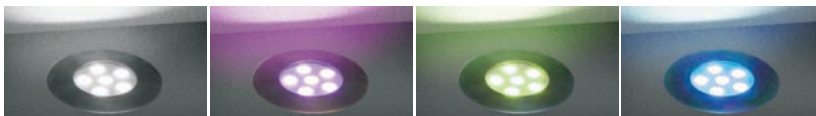


- LED round luminaire for architectural applications.
- Outdoor installation: IP67.
- Non-Dimmable.
- IK Rate: 07

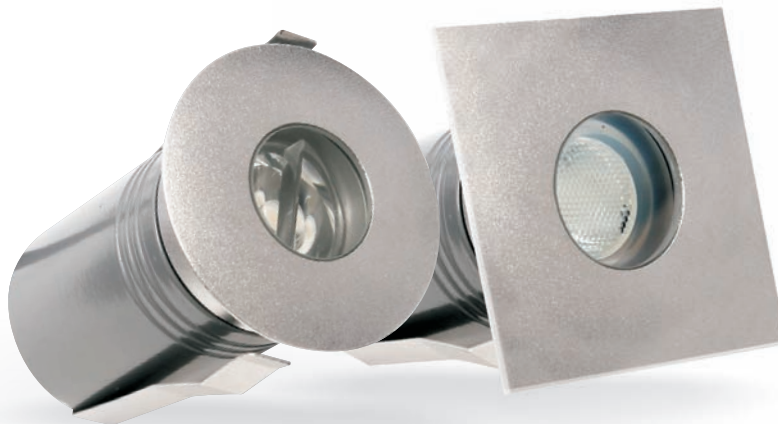
Lightsources by  
**OSRAM**

Code	Type*	No.LED	Colour	Typical Luminance	Watt	Dimensions	Diameter	Max. Kg	Voltage	∠**	IP
LGR.074	Round	6	COOL WHITE	956 lm	13.5W	173x77mm	173mm	150Kg	24VDC	20°	IP67
LGR.075	Round	6	WARM WHITE	783 lm	13.5W	173x77mm	173mm	150Kg	24VDC	20°	IP67

\*Available in square face upon request.  
\*\*Available in 6°, 13° and 30° upon request.



# HYDRA



- Asymmetric LED spot ideal to highlight architectural ornaments.
- Die cast grey powder.
- IK rate: 08
- Non-Dimmable.
- 316 stainless steel, clear glass, plastic box.

Lightsources by  
**OSRAM** or **HARVATEK**

Code	Type*	No.LED	Colour	CRI	Lumen	Watt	Dimensions	Diameter	Voltage	Beam**	IP
------	-------	--------	--------	-----	-------	------	------------	----------	---------	--------	----

### RGB

<b>LGR.114 /CA</b>	Round	1	RGB	-	56lm	3.5W	Ø55x78mm	55mm	24VDC	30°	IP67
--------------------	-------	---	-----	---	------	------	----------	------	-------	-----	------

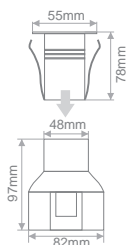
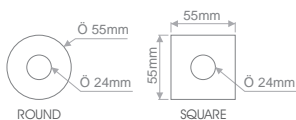
\*Available in round or square face upon request.  
\*\*Available in other beam angles upon request.

### Monochromatic

<b>LGR.084</b>	Round	1	COOL WHITE	80	77lm	2.6W	Ø55x78mm	55mm	24VDC	50°x35°	IP67
<b>LGR.085</b>	Round	1	WARM WHITE	80	65lm	2.6W	Ø55x78mm	55mm	24VDC	50°x35°	IP67

<b>LGR.103</b>	Square	1	WARM WHITE	80	65lm	2.6W	55x55x78mm	-	24VDC	30°	IP67
----------------	--------	---	------------	----	------	------	------------	---	-------	-----	------

\*Available in round or square face upon request.  
\*\*Available in 15°, 20°, 30°, 45° upon request.





# TINOS SERIES



- **Monochromatic:** Non-Dimmable
- Tempered glass, T=4mm.
- Powder coated die-casting aluminum mounting base.
- IK rate: 07

Lightsources by  
**SHARP**

Code	Model	No.LED	Colour*	Watt	Lumen	Voltage	Colour of fitting**	***	IP
------	-------	--------	---------	------	-------	---------	---------------------	-----	----

*Tinos Pole*

<b>ALE.060</b>	Tinos Pole	1	WARM WHITE	10W	696lm	24VDC	Mat Grey	30°	IP65
----------------	------------	---	------------	-----	-------	-------	----------	-----	------

\*Available in Cool White (761lm) upon request.  
\*\*Black housing available upon request.

*Tinos Spike*

<b>ALE.062</b>	Tinos Spike	1	WARM WHITE	10W	696lm	24VDC	Mat Grey	30°	IP65
----------------	-------------	---	------------	-----	-------	-------	----------	-----	------

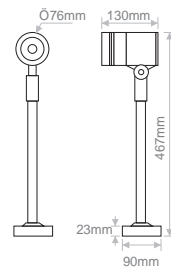
\*Available in Cool White (761lm) upon request.  
\*\*Black housing available upon request.

*Tinos Base*

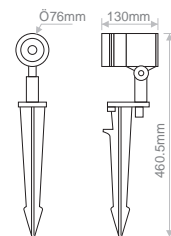
<b>ALE.061</b>	Tinos Base	1	WARM WHITE	10W	696lm	24VDC	Mat Grey	30°	IP65
----------------	------------	---	------------	-----	-------	-------	----------	-----	------

\*Available in Cool White (761lm) upon request.  
\*\*Black housing available upon request.  
\*\*\*Available in 45° upon request.

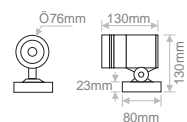
Tinos Pole



Tinos Spike



Tinos Base

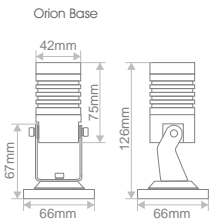


# ORION



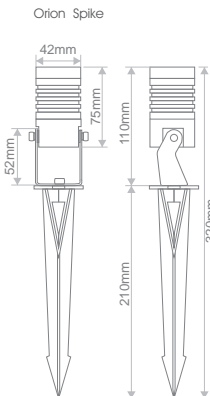
- RGB:** Management through:
- DMX 512 controllers.
  - Wireless IR & RF control units.
  - DALI Protocol devices.
- **Monochromatic:** Non-Dimmable.
- ORION aluminium LED spots.
  - Ideal in elegant architectural applications.
  - IK rate: 02

Lightsources by  
**OSRAM**



Code	Model	No.LED	Colour*	Watt	LED Lumen	Dimensions	Voltage	Beam Angle**	IP	Dimming Options***
<b>ALE.040</b> /CA	Orion Base	1	RGB	3.5W	50lm	66x126mm	24VDC	30°	IP65	-
<b>ALE.038</b>	Orion Base	1	COOL WHITE	2.6W	150lm	66x126mm	24VDC	30°	IP65	Non-Dimmable
<b>ALE.039</b>	Orion Base	1	WARM WHITE	2.6W	125lm	66x126mm	24VDC	30°	IP65	Non-Dimmable

\* Available in other colours upon request.  
\*\* Available in 15°, 20° and 45° for CW and WW upon request.  
\*\*\* PWM dimmable version upon request.



Code	Model	No.LED	Colour*	Watt	LED Lumen	Dimensions	Voltage	Beam Angle**	IP	Dimming Options***
<b>ALE.043</b> /CA	Orion Spike	1	RGB	3.5W	50lm	66x320mm	24VDC	30°	IP65	-
<b>ALE.041</b>	Orion Spike	1	COOL WHITE	2.6W	150lm	66x320mm	24VDC	30°	IP65	Non-Dimmable
<b>ALE.042</b>	Orion Spike	1	WARM WHITE	2.6W	125lm	66x320mm	24VDC	30°	IP65	Non-Dimmable

\* Available in other colours upon request.  
\*\* Available in 15°, 20° and 45° for CW and WW upon request.  
\*\*\* PWM dimmable version upon request.

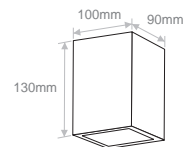
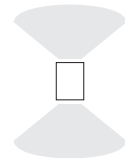
# LEROS SERIES



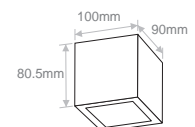
- **Monochromatic:** Non-Dimmable
- IK rate: 06

Lightsources by  
**BRIDGELUX**

ALW.034  
2 Way



ALW.035  
1 Way



Code	Model	No.LED	Colour*	Watt	Voltage	Colour of fitting	∠**	IP
2 WAY								
ALW.034	Leros 2 Way	2x6W	WARM WHITE	15W	240VAC	Mat Grey	25°	IP65
1 WAY								
ALW.035	Leros 1 Way	1x6W	WARM WHITE	7.6W	240VAC	Mat Grey	25°	IP65

\*Available in other CCT upon request  
\*\*Available in 40° upon request

# MIDI U

IP67



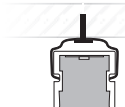
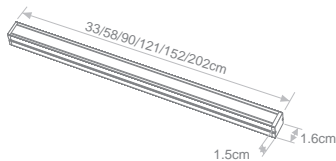
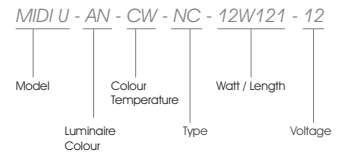
- Monochromatic:** Management through:
- DMX 512 controllers & converters 0-10V or 1-10V or simple push buttons.
  - Wireless IR & RF control units.
  - DALI Protocol devices.
- MIDI U Linear LED ideal for outdoor installations.
- Supplied with single waterproof cable & connector as standard.
- Possibility for in-out cables & connectors upon request as extra.



Model	Luminaire Colour	Colour Temperature	Type	Watt / Length	Voltage
MIDI U (MIDI U)	(AN) Anodized	(WW) Warm White	(NC) No Cover	(03W033) 3.3W / 33cm	12VDC (12)
		(NW) Neutral White		(05W058) 5.9W / 58cm	
		(CW) Cool White		(09W090) 9.2W / 90cm	
		(12W121) 12.5W / 121cm			
		(15W152) 15.8W / 152cm			
				(21W202) 21W / 202cm	

Create your own linear LED luminaire with any combination of the above options.

Ordering Code Example:



**Available upon request:**

- ✓ Custom dimensions
- ✓ Custom luminaire colours
- ✓ Emergency version



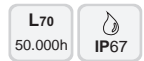
# CANAL

IP67



**Monochromatic:** Management through:

- DMX 512 controllers & converters 0-10V or 1-10V or simple push buttons.
- Wireless IR & RF control units.
- DALI Protocol devices.

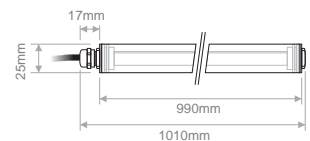


Model*	No.LED	Colour*	Watt	Voltage	Beam Angle	IP
CANAL	45	2700K	9.85W/m	12VDC	120°	IP67
		3000K				
		NEUTRAL WHITE				
		COOL WHITE				

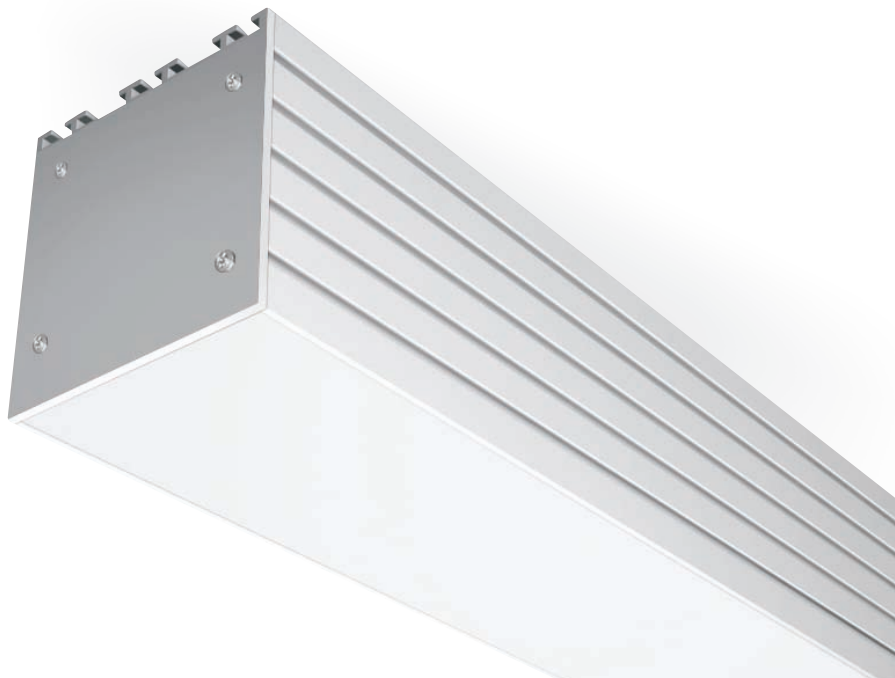
\* Available in different lengths upon request.



ACC.085 Inox Holder

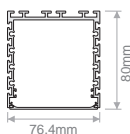
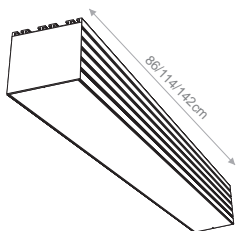


# TETRA PLUS LINEAR TUNABLE



- Linear LED lighting surface, with hinge, recessed, trimless or pendant.
- Linear Tunable White system with adjustable colour temperature from 3,000 to 6,000 K at constant luminous flux.
- Low tolerances for colour temperature (MacAdam 4)
- Lumen maintenance L80/B50 50.000h

Model	Luminaire Colour	Colour Temperature	CRI	Type	Watt / Length / Initial LED Lumen (no cover)	Voltage
<b>TETRA PLUS TUNABLE SURFACE</b> (TETRA PLUS TS)						
<b>TETRA PLUS TUNABLE SURFACE with HINGE</b> (TETRA PLUS TH)					(20W086) 20W / 86cm / 2100lm (26W114) 26W / 114cm / 2650lm (32W142) 32W / 142cm / 3350lm	
<b>TETRA PLUS TUNABLE RECESSED</b> (TETRA PLUS TR)	(AN) Anodized (WH) White (BL) Black	(AD) 3000-6000K Adjustable	(80) ≥ 80	(TR) Transparent  (MS) Milky Satin	(40W086) 40W / 86cm / 4300lm (52W114) 52W / 114cm / 5700lm (62W142) 62W / 142cm / 7150lm	(230) 230VAC DALI DIMMABLE
<b>TETRA PLUS TUNABLE TRIMLESS</b> (TETRA PLUS TT)						
<b>TETRA PLUS TUNABLE PENDANT</b> (TETRA PLUS TP)						



Create your own linear LED luminaire with any combination of the above options.

Ordering Code Example:

TETRA PLUS TR - AN - AD - 80 - MS - 40W086 - 230

Model Luminaire Colour Colour Rendering Watt / Length / Initial ELD lumen Voltage

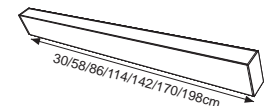
Colour Temperature Type

# PALMA LINEAR TUNABLE

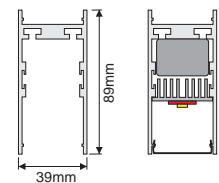


- Surface or Pendant.
- Linear Tunable White system with adjustable colour temperature from 3,000 to 6,000 K at constant luminous flux.
- DALI dimmable upon request.
- Low tolerances for colour temperature (MacAdam 4)
- Lumen maintenance L80/B50 50.000h

Model	Luminaire Colour	Colour Temperature	CRI	Type	Watt / Length / Initial LED Lumen (no cover)	Voltage
<b>PALMA TUNABLE SURFACE</b> (PALMA TS)	(AN) Anodized (WH) White (BL) Black	(AD) 3000-6000K Adjustable	{80} ≥ 80	(TR) Transparent	(20W086) 20W / 86cm / 2100lm	{230} 230VAC DALI DIMMABLE
					(26W114) 26W / 114cm / 2650lm	
					(32W142) 32W / 142cm / 3350lm	
<b>PALMA TUNABLE PENDANT</b> (PALMA TP)	(MS) Milky Satin	(40W086) 40W / 86cm / 4300lm				
		(52W114) 52W / 114cm / 5700lm				
		(62W142) 62W / 142cm / 7150lm				



Model	Luminaire Colour	Colour Temperature*	CRI	Type	Watt / Length / Initial LED Lumen (no cover)	Voltage		
<b>PALMA MONOCHROMATIC SURFACE</b> (PALMA MS)	(AN) Anodized (WH) White (BL) Black	3000K 4000K 5000K	{80} ≥ 80	(TR) Transparent	(15W030) 15.9W / 30cm / 2230lm	{230} 230VAC		
					(31W058) 31.8W / 58cm / 4460lm			
					(47W086) 47.7W / 86cm / 6690lm			
					<b>PALMA MONOCHROMATIC PENDANT</b> (PALMA MP)		(MS) Milky Satin	(63W114) 63.6W / 114cm / 8920lm
								(79W142) 79.5W / 142cm / 11150lm
(95W170) 95.4W / 170cm / 13380lm								
(111W198) 111.3W / 198cm / 15610lm								

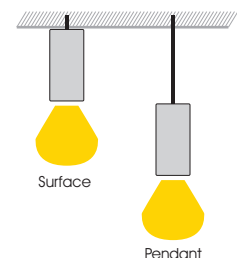


\*Available in 6500K upon request.

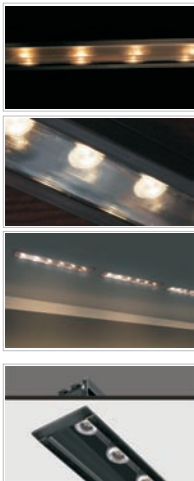
Create your own linear LED luminaire with any combination of the above options. Ordering Code Example:

PALMA MP - AN - 30 - 80 - MS - 95W170 - 230

Model Luminaire Colour Colour Temperature Type Watt / Length Voltage



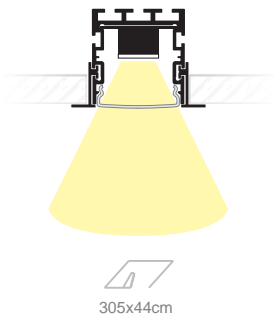
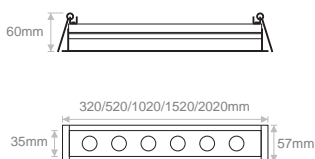
# TETRA WASH ANTI-GLARE



Lightsources by  
**CREE**

Model	Luminaire Colour	Colour Temperature	Colour Rendering	Beam Angle	LED wattage / Length	Voltage
<b>TETRA WASH ANTI-GLARE</b> (TETRA WASH AG)	(BL) Black	(27) 2700K	(70) ≥ 70	(46) 46°	(03W032) 3W / 32cm	(24) 24VDC
		(30) 3000K		(25) 25°	(06W032) 6W / 32cm	
		(40) 4000K	(80) ≥ 80*	(12) 12°	(05W052) 5W / 52cm	
		(56) 5600K		(10W052) 10W / 52cm		
					(12W052) 12W / 52cm	
					(10W102) 10W / 102cm	
					(20W102) 20W / 102cm	
					(24W102) 24W / 102cm	
					(15W152) 15W / 152cm	
					(30W152) 30W / 152cm	
					(36W152) 36W / 152cm	
					(20W202) 20W / 202cm	
			(40W202) 40W / 202cm			
			(48W202) 48W / 202cm			

\* CRI 80 only for 2700K/3000K/4000K



Create your own TETRA WASH ANTI-GLARE with any combination of the above options.

Ordering Code Example:

TETRA WASH AG - BL - 27 - 80 - 12 - 20W202 - 24

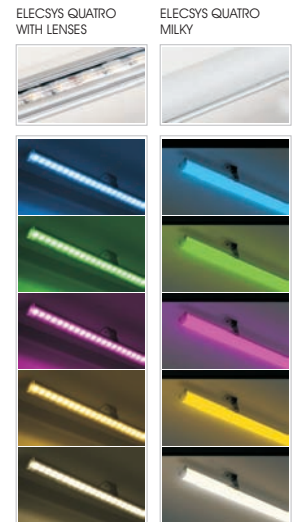


**Available upon request:**

- ✓ Custom dimensions
- ✓ Custom luminaire colours
- ✓ Emergency version



**ELECSYS QUATRO**  
RGBW in one chip

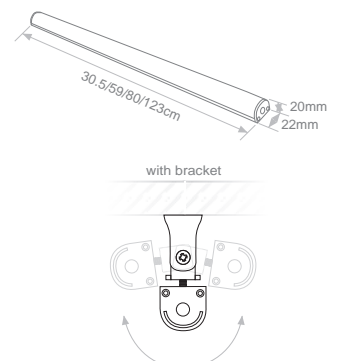
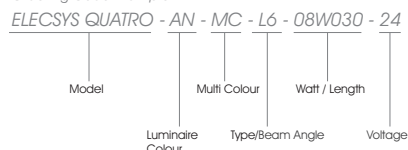


**Management through:**  
■ 4 channels DMX controller with 24VDC PWM output.

Model	Luminaire Colour	Multi Colour*	Type / Beam Angle	Watt / Length**	Voltage
<b>ELECSYS QUATRO</b> (ELECSYS QUATRO)	(AN) Anodized	(MC) RGBW in one chip	(ML) Milky	(08W030) 8W / 30.5cm	(24) 24VDC
	(WH) White		(TR) Transparent	(16W059) 16W / 59cm	
	(BL) Black		(L6) Lens 60°	(21W080) 21W / 80cm	
			(L4) Lens 45°	(32W123) 32W / 123cm	
			(L3) Lens 30°		

\*Available in monochromatic LEDs upon request.  
\*\*Available in custom lengths up to 200cm upon request.

Create your own linear LED luminaire with any combination of the above options. *Ordering Code Example:*

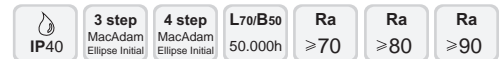


**Available upon request:**  
✓ Custom dimensions  
✓ Custom luminaire colours  
✓ Emergency version

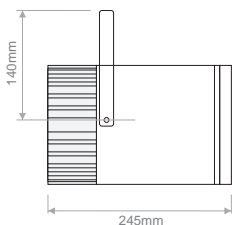
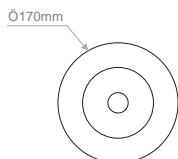
## LED Downlights

LED Downlights Surface  
lightsource by BRIDGELUX

# CORONA XL



Model	Colour Temperature - LED Lumen	Type	Colour Rendering	Beam Angle	Colour	Dimming Option
<b>CORONA XL 80W CRI 80</b> (CORONA XL8080)	(27B8254) 2700K - 8254lm	(AD) Adjustable	(80) 80	(16) 16°	(BL) Black	(00) Without Driver
	(30B8613) 3000K - 8613lm				(WH) White	(ND) Non-Dimmable
	(35B8976) 3500K - 8976lm	(FX) Fixed		(30) 30°	(A1) Analogue (1-10V)	
	(40B9064) 4000K - 9064lm					
(50B9135) 5000K - 9135lm						
<b>CORONA XL 80W CRI 90</b> (CORONA XL8090)	(27B6644) 2700K - 6644lm	(AD) Adjustable	(90) 90	(16) 16°	(BL) Black	(00) Without Driver
	(30B6880) 3000K - 6880lm				(WH) White	(ND) Non-Dimmable
	(40B7917) 4000K - 7917lm	(FX) Fixed		(30) 30°	(A1) Analogue (1-10V)	
	(50B8316) 5000K - 8316lm					



Create your own LED downlight with any possible combination of the above options. Ordering Code Example:

CORONA XL 25 - 35B2270 - FX - 80 - 30 - WH - ND

Model      Colour Temperature - LED Lumen      Type      Beam Angle      Colour      Dimming Option

**Available upon request:**

✓ Emergency version

## LED Downlights

LED Downlights  
lightsource by XICATO

# JUPITER

## IP65



LIGHTSOURCE BY  
**XICATO**

- Dimmable options.
- Emergency version upon request
- Cutout for MR16.
- IP65

<b>5 years</b> LED Module Warranty*	<b>1x2 step</b> MacAdam Ellipse Initial	<b>L80/B50</b> 50.000h	<b>C3</b> 50.000h	<b>Ra</b> ≥80	<b>Ra</b> ≥95	<b>IP65</b>
---	---	---------------------------	----------------------	------------------	------------------	-------------

Model	Colour Temperature	LED Lumen	Type	Colour Rendering	Beam Angle	Colour	Dimming Option***
<b>JUPITER</b> (JUPITER)	(27) 2700K	(X0700) 700lm	(FX) Fixed	(80) ≥80	(DF) Diffused	(WH) White	(00) Without Driver
	(30) 3000K	(X1000) 1000lm		(95) ≥95*		(BL) Black	(ND) Non-Dimmable
	(35) 3500K	(X1300) 1300lm		(BV) ≥80** Vibrant Series		(GR) Grey	(A0) Analogue (0-10V)
	(40) 4000K					(NS) Nickel Satin	(A1) Analogue (1-10V)
							(DX) DMX
							(DL) DALI

\* CRI 95 only for 700/1300lm  
\*\*Vibrant Series™ only for 3000K and 1300lm  
\*\*\*Emergency version upon request

Create your own LED downlight with any possible combination of the above options.

Ordering Code Example:

JUPITER - 40 - X0700 - FX - 80 - DF - WH - DX

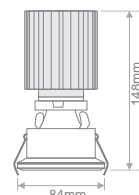
Model      Colour Temperature      LED Lumen      Type      Beam Angle      Colour      Dimming Option



### Available upon request:

- ✓ Emergency version

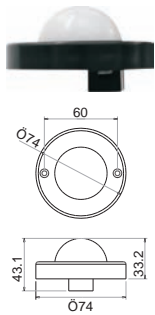
\*ELECTRON SA offers 5 years LED module warranty (luminaire thermally validated by Xicato).



LED DOT FROST  
LED DOT BEAM

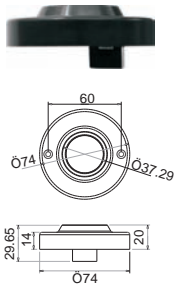


Lightsources by  
**CREE**



Model	No.LED	Colour**	Power Consumption	Operating Voltage	DIM	
LED DOT FROST	1	2700K 3000K 4000K 5000K BLUE	3W	9~32VDC	PWM 9 - 32V / 100Hz - 2,5KHz	120°

\*Available in RED, GREEN and AMBER for MOQ



Model	No.LED	Colour**	Power Consumption	Operating Voltage	DIM	
LED DOT BEAM	1	2700K 3000K 4000K 5000K BLUE	3W	9~32VDC	PWM 9 - 32V / 100Hz - 2,5KHz	16° 24° 40°

\*Available in RED, GREEN and AMBER for MOQ



DOT FROST



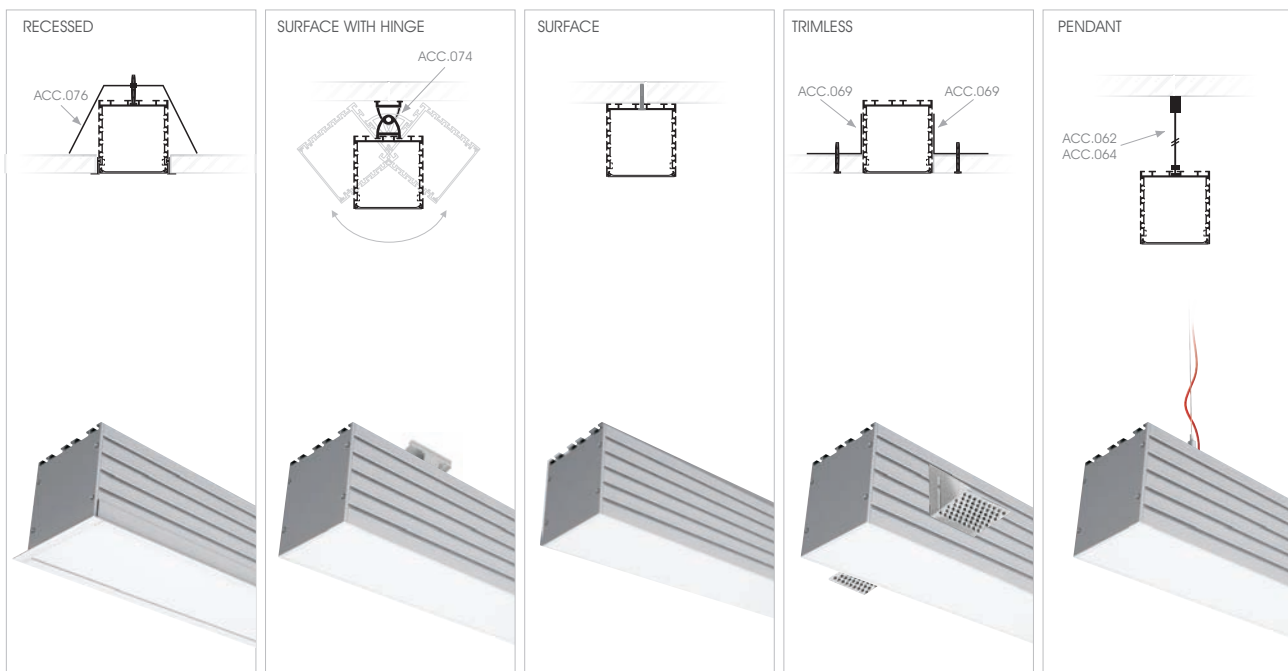
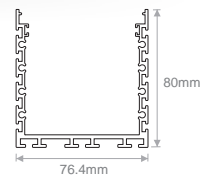
DOT BEAM



# TETRA PLUS ALUMINIUM PROFILE



- TETRA PLUS aluminium profile system ideal for linear LED lighting applications.
- Accessories for recessed, surface with hinge, surface, trimless and pendant applications.
- Variety of accessories for different corner and line extensions.
- Special design and construction to meet the most demanding lighting designs.


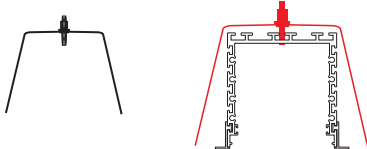

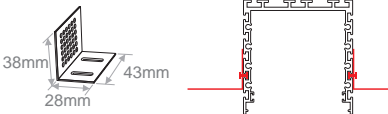

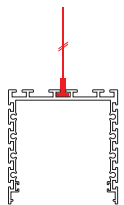

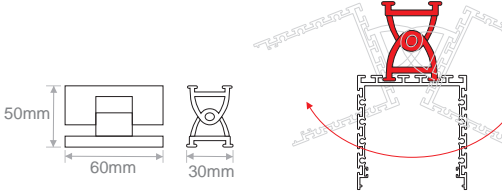

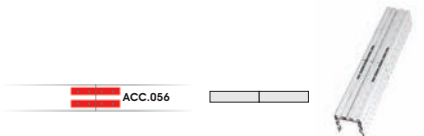

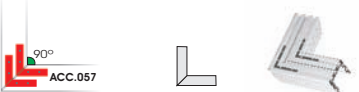

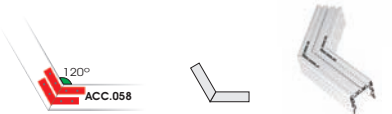

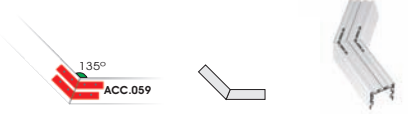


# TETRA PLUS

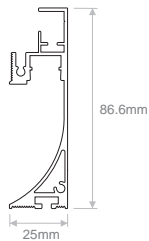
## ALUMINIUM PROFILE

Image	Code	Description	Length	Design-Detail
	<b>PRF.041</b> <b>PRF.042</b>	TETRA PLUS alum.prof. / Anodized TETRA PLUS alum.prof. / Non-Anodized	2m 2m	
	<b>PRF.028</b> <b>PRF.029</b>	ANGLE alum.prof. / Anodized ANGLE alum.prof. / Non-Anodized	2m 2m	
	<b>PRF.047</b>	SLIDING BASE 3-BANK	2m	
	<b>PRF.048</b>	INNER HOLDERS	2m	
	<b>PRF.044</b>	SLIDING BASE 3-BANK INNER	2m	
	<b>PRF.046</b>	ALUMINIUM COVER / Non-Anodized	2m	
	<b>COV.012</b>	MILKY SATIN COVER	2m	
	<b>CAP.074</b>	END CAP		
	<b>CAP.081</b>	RECESSED END CAP		

# TETRA PLUS ALUMINIUM PROFILE

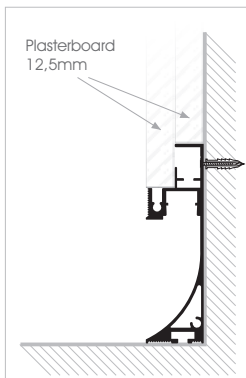
Image	Code	Description	Design-Detail
	<b>ACC.076</b>	RECESSED HOLDER	
	<b>ACC.069</b>	PERFORATED HOLDER FOR PLASTERBOARD	
	<b>ACC.062</b> <b>ACC.064</b>	CEILING SUSPENSION INSTALLATION 150cm CEILING SUSPENSION INSTALLATION 300cm	
	<b>ACC.074</b>	180 DEGREE HINGE	
	<b>ACC.056</b>	EXTENSION LINE	
	<b>ACC.057</b>	90° CORNER EXTENSION	
	<b>ACC.058</b>	60° CORNER EXTENSION	
	<b>ACC.059</b>	45° CORNER EXTENSION	

# ARC3 ALUMINIUM PROFILE



- ARC3 aluminium profile ideal for concealed lighting.
- Ideal depth solution for demanding architectural applications.
- Available with transparent, milky, milky satin or ruled cover.
- Special design and construction to meet the most demanding lighting designs.

Image	Code	Description	Length	Design-Detail
	<b>PRF.051</b>	ARC alum.prof. / Non-Anodized	2m	
	<b>PRFW051</b>	ARC alum.prof. / White Painted	2m	
	<b>COV.023</b>	MILKY COVER	2m	<p>Coloured covers available upon request</p>
	<b>COV.024</b>	MILKY SATIN COVER	2m	
	<b>COV.025</b>	RULED COVER	2m	
	<b>COV.026</b>	TRANSPARENT COVER	2m	
	<b>COV.018</b>	TRANSPARENT COVER	2m	
	<b>COV.017</b>	MILKY COVER	2m	
	<b>CAP.092</b>	END CAP / Non-Anodized		
	<b>CAPW092</b>	END CAP / White Painted		
	<b>ACC.056</b>	EXTENSION LINE		
	<b>ACC.057</b>	90° CORNER EXTENSION		
	<b>ACC.058</b>	60° CORNER EXTENSION		
	<b>ACC.059</b>	45° CORNER EXTENSION		



## Flexible LEDs

LED Strips RGBW  
& Colour Adjustable

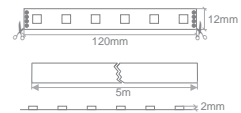


84, 60 & 48 LED/m  
RGBWW - RGBCW

### RGBWW - RGBCW: Management through:

- DMX 512 controllers.
- Wireless IR & RF control units.
- DALI Protocol devices.

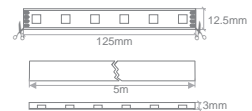
Code	No.LED	Colour	Watt	Dimensions	Reel	Colour Temperature	Voltage			IP
<i>RGBWW - RGBCW</i>										
<b>TIV.240</b> /CA	84/m	RGBWW (2700K)	27W/m	12x2mm	5m	Adjustable	24VDC	120°		IP20
<b>TIV.241</b> /CA	60/m	RGBWW (2700K)	19W/m	12x2mm	5m	Adjustable	24VDC	120°		IP20
<b>TIV.243</b> /CA	84/m	RGBCW (5600K)	27W/m	12x2mm	5m	Adjustable	24VDC	120°		IP20
<b>TIV.244</b> /CA	60/m	RGBCW (5600K)	19W/m	12x2mm	5m	Adjustable	24VDC	120°		IP20



\* Please confirm the connection points on the modules.

### RGBWW - RGBCW WATERPROOF

<b>TIV.242</b> /CA	48/m	RGBWW (2700K)	15.4W/m	12.5x3mm	5m	Adjustable	24VDC	120°		IP20
<b>TIV.245</b> /CA	48/m	RGBCW (5600K)	15.4W/m	12.5x3mm	5m	Adjustable	24VDC	120°		IP20



\* Please confirm the connection points on the modules.



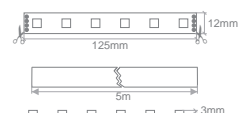
72 LED/m  
TUNABLE WHITE

### WW + CW: Management through:

- DMX 512 controllers.
- Wireless IR & RF control units.
- DALI Protocol devices.
- Powered by Samsung LEDs
- Supreme Series



Code	No.LED	Colour	Watt	Dimensions	Reel	Colour Temperature	Voltage			IP
<i>TUNABLE WHITE</i>										
<b>TIV.246</b> /CA	72/m	WW + CW (2700K + 5600K)	20W/m	12x3mm	5m	Adjustable	24VDC	120°		IP20



\* Please confirm the connection points on the modules.



Flexible LEDs

Milky LED

**MILKY LED**  
72 LED/m  
Flat Surface Slim



**Monochromatic:** Management through:

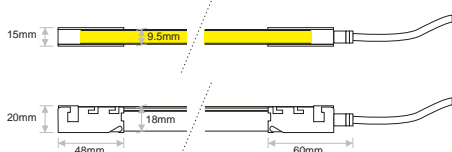
- DMX 512 controllers & converters 0-10V or 1-10V or simple push buttons.
- Wireless IR & RF control units.
- DALI Protocol devices.
- Outdoor installation IP68.
- Ideal for highlighting buildings and for attracting attention from a distance.
- Indication lighting in corridors, building entrances, cinema halls etc.
- Can be used with aluminium channel.

*Flat Surface Slim*

Code	Type	No.LED	Colour	Watt	Reel	Voltage			IP
<i>MONOCHROMATIC</i>									
<b>TIV.048</b>	Flat Surface Slim	72/m	WARM WHITE	5W/m	20m	24VDC	120°	8.33mm	IP68
<b>TIV.049</b>	Flat Surface Slim	72/m	COOL WHITE	5W/m	20m	24VDC	120°	8.33mm	IP68
<b>TIV.050</b>	Flat Surface Slim	72/m	BLUE	5W/m	20m	24VDC	120°	8.33mm	IP68

\* Please confirm with the sign on the rear side of the modules

\*\*Available in RED, AMBER and GREEN upon request for minimum quantities 200m.



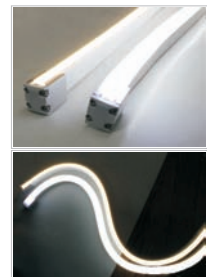
**PRF050**  
Aluminium Profile  
for Milky FLED Slim

**ACC.123**  
Supply connector

**ACC.114**  
End Cap

Flexible LEDs  
Milky LED

**MILKY LED**  
60 LED/m  
Flat Surface &  
Round Surface



**RGB/Monochromatic:** Management through:

- DMX 512 controllers & converters 0-10V or 1-10V or simple push buttons.
- Wireless IR & RF control units.
- DALI Protocol devices.
- Homogeneous and bright light (RGB in one chip).
- Outdoor installation IP68.
- Ideal for highlighting buildings and for attracting attention from a distance.
- Indication lighting in corridors, building entrances, cinema halls etc.
- Can be used with aluminium channel.

*Round Surface*

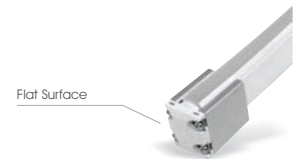
Code	Type	No.LED	Colour	Watt	Reel	Voltage			IP
<i>RGB</i>									
<b>TIV.123</b> /CA	Round Surface	60/m	RGB	12W/m	20m	24VDC	120°	100mm	IP68
* Please confirm with the ≧< sign on the rear side of the modules ** CA=Common Anode									
<i>MONOCHROMATIC</i>									
<b>TIV.040</b>	Round Surface	60/m	WARM WHITE	12W/m	20m	24VDC	120°	100mm	IP68
<b>TIV.041</b>	Round Surface	60/m	BLUE	12W/m	20m	24VDC	120°	100mm	IP68
<b>TIV.043</b>	Round Surface	60/m	RED	7.2W/m	20m	24VDC	120°	167mm	IP68
<b>TIV.044</b>	Round Surface	60/m	NEUTRAL WHITE	12W/m	20m	24VDC	120°	100mm	IP68
<b>TIV.047</b>	Round Surface	60/m	COOL WHITE	12W/m	20m	24VDC	120°	100mm	IP68



Round Surface

*Flat Surface*

Code	Type	No.LED	Colour	Watt	Reel	Voltage			IP
<i>MONOCHROMATIC</i>									
<b>TIV.046</b>	Flat Surface	60/m	WARM WHITE	12W/m	20m	24VDC	120°	100mm	IP68
* Please confirm with the ≧< sign on the rear side of the modules **Available in NEUTRAL WHITE, COOL WHITE, BLUE, RED, AMBER and GREEN upon request for minimum quantities 200m.									



Flat Surface



**ACC.113** Supply connector for TIV.040/041//043/044/047  
**ACC.114** End cap for TIV.040/041/043/044/047/123  
**ACC.120** Reverse supply connector for TIV.040/041/043/044/047  
**ACC.117** Supply connector for TIV.046  
**ACC.118** End cap for TIV.046  
**ACC.119** Reverse supply connector for TIV.046



**ACC.112** Supply connector for TIV.123  
**ACC.116** Reverse supply connector for TIV.123  
**PRE022** Aluminium Profile for TIV.123  
**ACC.115** Double mid connector for TIV.123  
**ACC.121** Clasp front connector for TIV.040/041/043/044/047  
**ACC.122** Clasp end connector for TIV.040/041/043/044/047

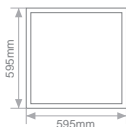
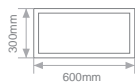
LED PANELS



- Monochromatic:** Management through:
- DMX 512 controllers & converters 0-10V or 1-10V or simple push buttons.
  - Wireless IR & RF control units.
  - DALI Protocol devices.
- Constant Current Dimmable.
- Emergency option upon request.
- Surface or Pendant installation upon request.



Model	No.LED	Colour Temperature	Watt	Lumen	CRI	Dimensios	Current
<i>30x60cm</i>							
PANEL 30X60 (3000K)	100	3000K	37W	2850lm	80+	300x600x41mm	1050mA
PANEL 30X60 (4000K)	100	4000K	37W	2950lm	80+	300x600x41mm	1050mA
PANEL 30X60 (5000K)	100	5000K	37W	3100lm	80+	300x600x41mm	1050mA
PANEL 30X60 (6000K)	100	6000K	37W	3200lm	80+	300x600x41mm	1050mA
<i>60x60cm</i>							
PAN.021 60x60 (2700K)	120	2700K	45W	3500lm	80+	595x595x41mm	1050mA
PAN.022 60x60 (3000K)	120	3000K	45W	3550lm	80+	595x595x41mm	1050mA
PAN.023 60x60 (4000K)	120	4000K	45W	3850lm	80+	595x595x41mm	1050mA
PAN.024 60x60 (5000K)	120	5000K	45W	3900lm	80+	595x595x41mm	1050mA
<i>30x120cm</i>							
PANEL 30X120 (3000K)	140	3000K	52W	4050lm	80+	300x1200x41mm	1050mA
PANEL 30X120 (4000K)	140	4000K	52W	4200lm	80+	300x1200x41mm	1050mA
PANEL 30X120 (5000K)	140	5000K	52W	4400lm	80+	300x1200x41mm	1050mA
PANEL 30X120 (6000K)	140	6000K	52W	4500lm	80+	300x1200x41mm	1050mA
<i>60x120cm</i>							
PANEL 60X120 (3000K)	180	3000K	67W	5200lm	80+	600x1200x41mm	1050mA
PANEL 60X120 (4000K)	180	4000K	67W	5450lm	80+	600x1200x41mm	1050mA
PANEL 60X120 (5000K)	180	5000K	67W	5700lm	80+	600x1200x41mm	1050mA
PANEL 60X120 (6000K)	180	6000K	67W	5800lm	80+	600x1200x41mm	1050mA



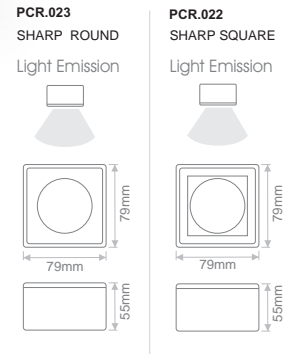


## SHARP ROUND SHARP SQUARE

### Plaster Lighting Recessed Downlights

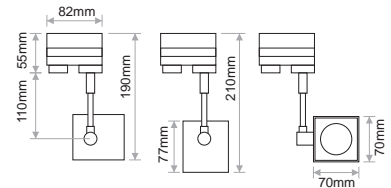
Code	Model	Lamp Holder	Maximum Consumption	Voltage				IP	
PCR.023	SEAMLESS ROUND	Gx5.3	35W	12VAC	Not included	0.42Kg	80x80mm	IP20	
PCR.022	SEAMLESS SQUARE	Gx5.3	35W	12VAC	Not included	0.36Kg	80x80mm	IP20	

\*Suitable for plasterboard 9-15mm



## RIO L SQUARE LED Track Lights

Code	Model	Colour	Lamp Holder	Maximum Consumption	Dimensions	Weight	IP		Not included
ASI.061	RIO L Square	WHITE	GU10	50W	70x70x77mm	0.40kg	IP20		



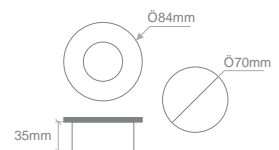
- Recessed non-movable spots
- Die-cast aluminium
- For MR16 lamps
- Outdoor use
- Ideal for lighting in bathrooms, spa, fitting rooms, etc.

## AVRA Outdoor Spots

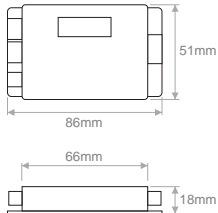
### IP65

Code	Colour	Glass	Lamp	Maximum Consumption		Diameter	Type	IP		Not included
ALE.032	NICKEL BRUSH	Frosted	MR16	35W	70mm	84mm	Fixed	IP65		
ALE.033	WHITE	Frosted	MR16	35W	70mm	84mm	Fixed	IP65		
ALE.056	NICKEL BRUSH	Clear	MR16	35W	70mm	84mm	Fixed	IP65		
ALE.057	WHITE	Clear	MR16	35W	70mm	84mm	Fixed	IP65		

\*Available in square shape upon request



### 3 channels RGB Dimmable DMX Controller



- Dimmable constant voltage LED drivers / controllers

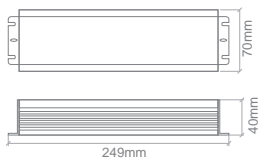
Code*	Description	Supply Voltage	Output Voltage	Nr. of Channels	Channel Power	Total Power	Control	Stand Alone
DEM.178 /CA	DMX LED CONTROLLER with 3 OUTPUTS 0...12V or 0...24V	12VDC or 24VDC	Depending on the supply voltage 0...12V or 0...24V	3	36W (12V) or 72W (24V)	100W at 12V or 210W at 24V	DMX	YES

\*CA = Common Anode

### 1 channel Dimmable 1/10V LED Driver Constant Voltage



- Dimmable constant voltage led driver
- 1-10V
- Ingress protection: IP67

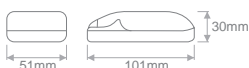


Code	Model	Input Voltage	Max Output	Output Voltage	Output Current	Control	Dimensions	IP
DEM.179	1-10V Dimmable Constant Voltage Driver	100-230V	150W	2...24V	0-6.3A	1/10V	249x70x40mm	IP67

### 1 channel Dimmable 1/10V & Leading or Trailing Edge LED Driver Constant Current



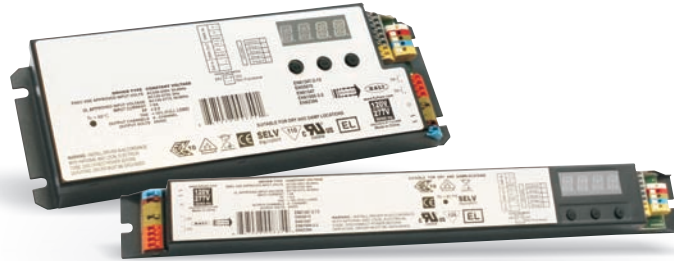
- Dimmable constant current LED driving converter



Code	Supply Voltage	Output Voltage	Output Power	Output Current	Dimming Control	Dimming Range
PCK.245	220-240V / 50Hz	10-20VDC	5-10W	500mA	1-10V or Trailing Edge or Leading Edge	10-100%



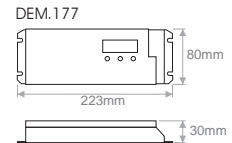
Dimmable  
LED Driving Converters  
Constant Voltage



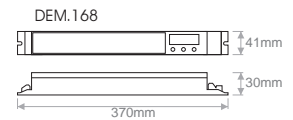
- DALI & DMX compatible.
- Stand alone operation.
- Constant Voltage driver.
- 4 programmable outputs.
- Selectable outputs 12V or 24V.
- Smooth dimming control.

**4 channels**  
DIMMABLE  
DMX or DALI  
or 1/10V or Switch  
LED DRIVER  
CONSTANT VOLTAGE  
**DEM.177**  
**DEM.168**

Code	Description	Supply Voltage	Output Voltage	Output Voltage	Power Consumption at full load	Control Input
<b>DEM.177</b>	Constant Voltage driver with 4 outputs	120-277VAC 50-60Hz	4 Outputs selectable 12V or 24VDC PWM	12V per output 25W each or 24V per output 25W each	115W at 230VAC / 50Hz	DMX / RDM or DALI or 1/10V or Switch or Stand alone operation



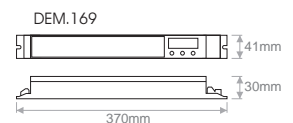
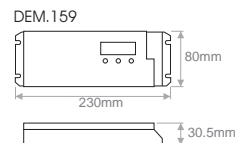
Code	Description	Supply Voltage	Output Voltage	Output Voltage	Power Consumption at full load	Control Input
<b>DEM.168</b>	Constant Voltage driver with 4 outputs	120-277VAC 50-60Hz	4 Outputs selectable 12V or 24VDC PWM	12V per output 25W each or 24V per output 25W each	115W at 230VAC / 50Hz	DMX / RDM or DALI or 1/10V or Switch or Stand alone operation



- DALI & DMX compatible.
- Stand alone operation (colours or show).
- Constant Current LED driver.
- 4 programmable outputs.
- Selectable output current from 200mA to 1050mA.
- Smooth dimming control.

**4 channels**  
DIMMABLE  
DMX or DALI  
or 1/10V or Switch  
LED DRIVER  
CONSTANT CURRENT  
**DEM.159**  
**DEM.169**

Code	Description	Supply Voltage	Output Voltage	Output Current	Power Consumption at full load	Control Input
<b>DEM.159 &amp; DEM.169</b>	Constant Current driver with 4 controllable outputs	120-250VAC 50-60Hz	max 57V	4ch with selectable output current from 200mA to 1050mA	115W at 230V / 50Hz	DMX / RDM or DALI or 1/10V or Switch or Stand alone operation (colours or effects) or Potentiometer (PCK.206)



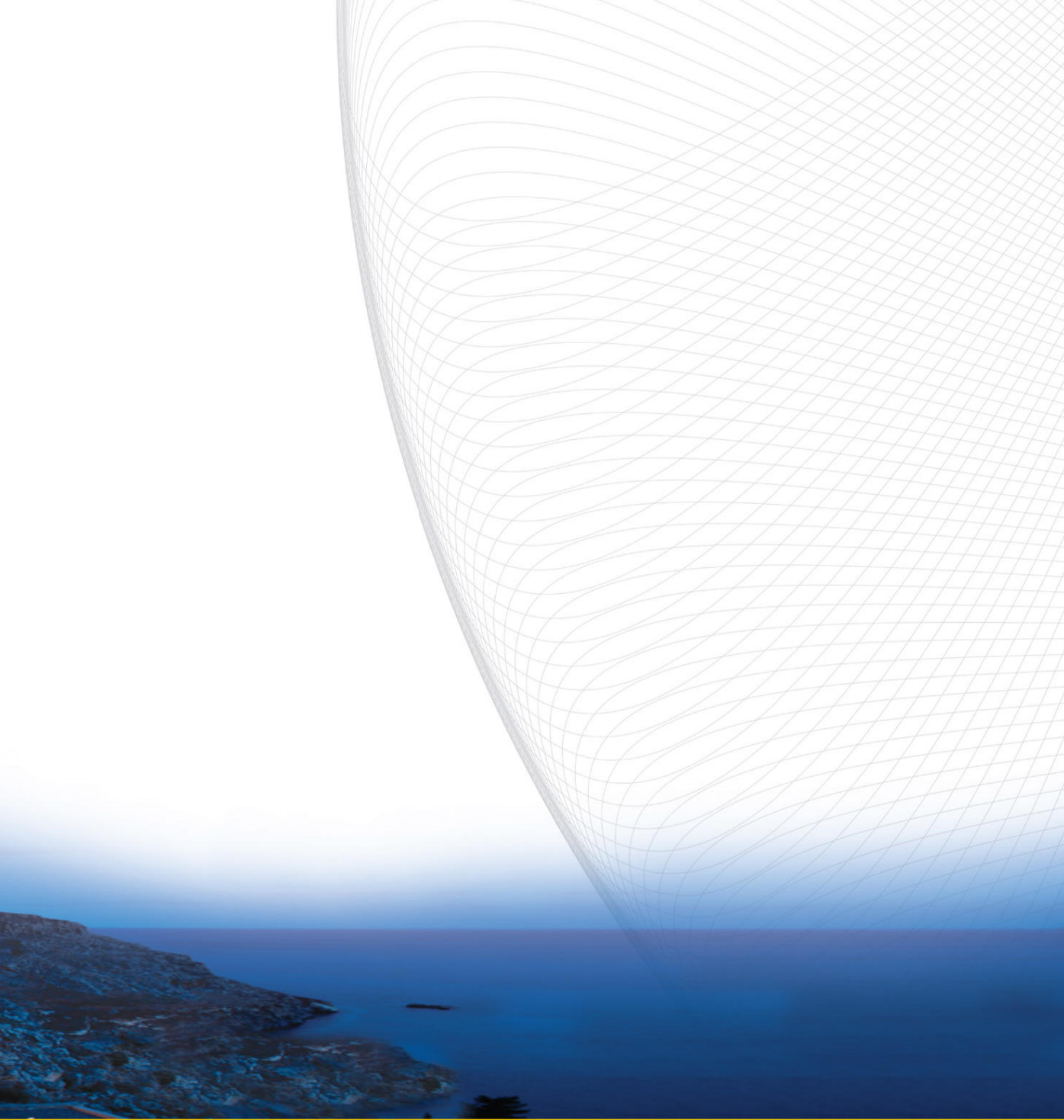


---

## LED & ARCHITECTURAL L I G H T I N G

# NEWS 2015

- Any reproduction by means or whole of this prospectus in any way, is prohibited without the written consent and permission of ELECTRON SA • ELECTRON SA reserves the right to alter specifications and other product information and to discontinue any product contained in this catalogue at any time without prior notice.
- Technical data valid at time of going to press.
- Errors and omissions excepted.
- Specifications and data may change without prior notice.
- Please note that the data included in this catalogue reflect statistical and not necessarily actual figures. Variations may occur in terms of the specifications of LEDs, such as CCT/CRI/Watts/Dimensions, mainly due to the different production batches of LEDs.



**ELECTRON SA, PROFESSIONAL LIGHTING SYSTEMS**

7th KLM NATIONAL ROAD ATHENS - LAMIA

68, ANTIOHIAS STR - N. PHILADELPHIA, 143 41 ATHENS - GREECE

Tel. +30 210 2584240, Fax. +30 210 2584245

info@electron.gr - www.electron.gr

[info@electron.gr](mailto:info@electron.gr) / [www.electron.gr](http://www.electron.gr)

ELECTRON SA, PROFESSIONAL LIGHTING SYSTEMS

7 klm National Road Athens - Lamia, 68 Antiohias Str, N. Philadelphia, 143 41 Athens, Greece, Tel. +30 210 2584240, Fax. +30 210 2584245, info@electron.gr, www.electron.gr